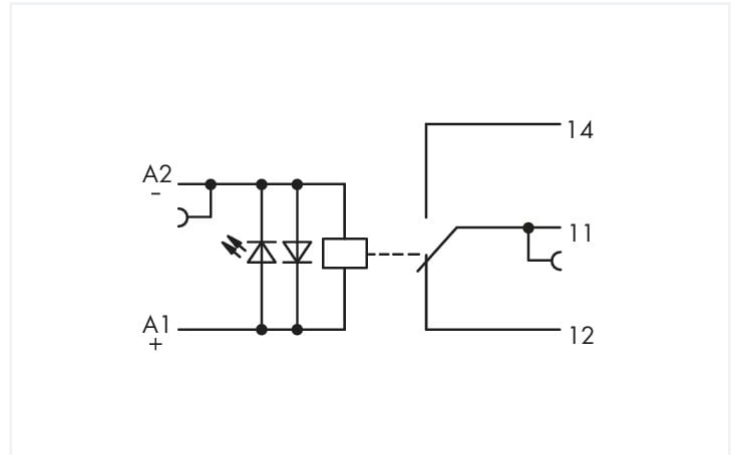
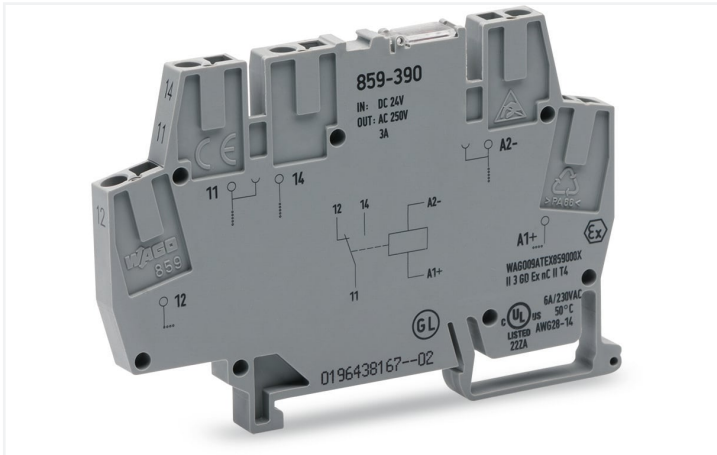


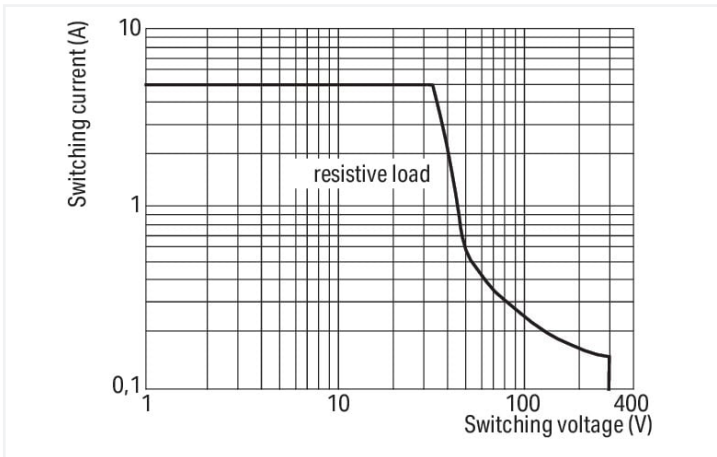
# Data Sheet | Item Number: 859-390

Relay module; Nominal input voltage: 24 VDC; 1 changeover contact; Railway; Red status indicator; Module width: 6 mm; 2,50 mm<sup>2</sup>; gray

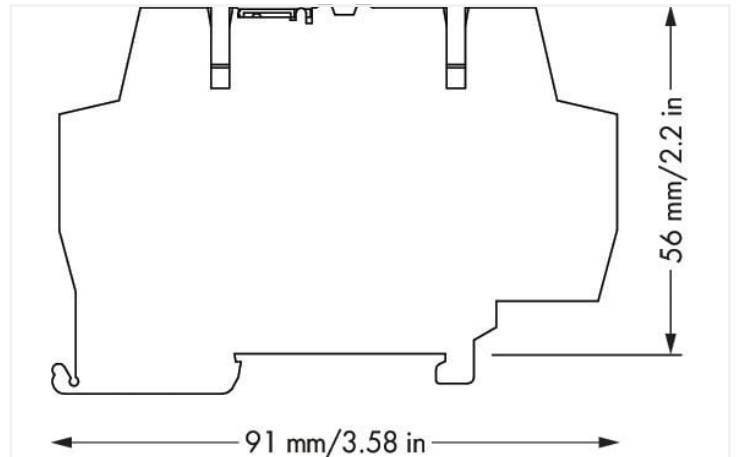
<https://www.wago.com/859-390>



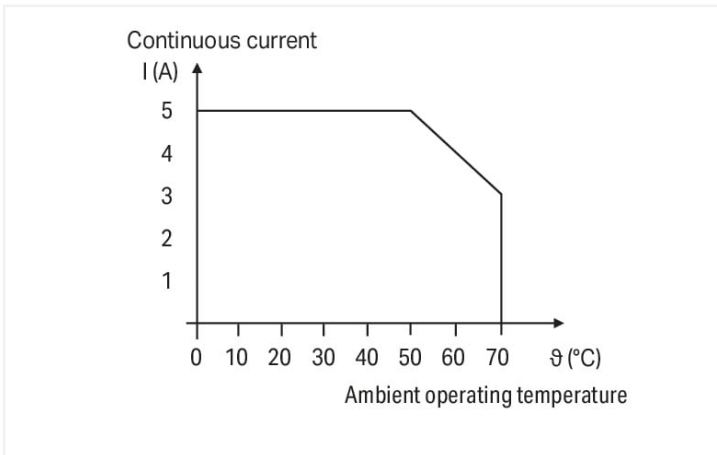
Color: ■ gray



DC load limit curve



Dimensions in mm



Current-carrying capacity curve

## Notes

Note	To protect the relay coils and contacts, inductive loads must be dampened with an effective protection circuit.
------	---

## Technical data

### Control circuit

Nominal input voltage $U_N$	DC 24 V
Input voltage range	-30 ... +25 %
Nominal input current at $U_N$	12 mA

### Load circuit

Number of changeover/switchover contacts	1
Contact material (relay)	AgSnO <sub>2</sub>
Limiting continuous current	5 A
Switching voltage (max.)	AC 250 V
Switching power (resistive) max.	AC 1250 VA; DC (see load limit curve)
Switching capacity	AC-15: 3 A / AC 250 V; DC-13: 2 A / DC 24 V
Recommended minimum load	10 V / 10 mA; 24 V / 1 mA
Pull-in time (typ.)	6 ms
Drop-out time (typ.)	6 ms
Bounce time (typ.)	3.5 ms
Electrical life (NO; resistive load; 23 °C)	50 x 10 <sup>3</sup> switching operations
Mechanical life	5 x 10 <sup>6</sup> switching operations
Switching frequency with/without load (max.)	6 min <sup>-1</sup> / 180 min <sup>-1</sup>

## Signaling

Status indicator	Red LED
------------------	---------

## Safety and protection

Rated voltage	300 V
Rated surge voltage	4 kV
Overtoltage category	III
Pollution degree	2
Dielectric strength (control/load circuit) (AC, 1 min)	4 kVrms
Dielectric strength (open contact) (AC, 1 min)	1 kVrms
Insulation type (control/load circuit)	Reinforced insulation (safe isolation)
Insulation type (adjacent devices)	Reinforced insulation (safe isolation)
Protection type	IP20; in connected state or when using 859-525 end plate

## Connection data

Connection technology	CAGE CLAMP®
Solid conductor	0.08 ... 2.5 mm <sup>2</sup> / 28 ... 14 AWG
Fine-stranded conductor	0.08 ... 2.5 mm <sup>2</sup> / 28 ... 14 AWG
Fine-stranded conductor; with insulated ferrule	0.08 ... 1.5 mm <sup>2</sup> / 28 ... 16 AWG
Strip length	5 ... 6 mm / 0.2 ... 0.24 inches

### Physical data

Width	6 mm / 0.236 inches
Height	91 mm / 3.583 inches
Depth from upper-edge of DIN-rail	56 mm / 2.205 inches

### Mechanical data

Mounting type	DIN-35 rail
Mounting position	horizontal (standing/lying); vertical

### Material data

Color	gray
Fire load	1.274 MJ
Weight	22.9 g

### Environmental requirements

Ambient temperature (operation at $U_N$ )	-40 ... +70 °C
Ambient temperature (storage)	-40 ... +70 °C
Processing temperature	-25 ... +50 °C
Temperature range of connection cable	$\geq (T_{\text{ambient}} + 20 \text{ K})$
Relative humidity	5 ... 95 % (no condensation permissible)
Operating altitude (max.)	2000 m

### Standards and specifications

Standards/specifications	EN 61010-2-201 EN 61810-1 EN 61373 UL 508 DNV
--------------------------	---

### Commercial data

Product Group	6 (INTERFACE ELECTRONIC)
eCl@ss 10.0	27-37-16-01
eCl@ss 9.0	27-37-16-01
ETIM 8.0	EC001437
ETIM 7.0	EC001437
PU (SPU)	10 pcs
Packaging type	Box
Country of origin	CN
GTIN	4055143607629
Customs tariff number	85364900990

### Environmental Product Compliance

CAS-No.	7439-92-1 79-94-7
REACH Candidate List Substance	2,2',6,6'-tetrabromo-4,4'-isopropylidenediphenol Lead
RoHS Compliance Status	Compliant,With Exemption
RoHS Exemption	7(a)
SCIP notification number (Austria)	b80ae32e-17e3-494b-bd67-c82e462fb581
SCIP notification number (Belgium)	7bca437d-7163-4314-ad00-6d5c2e89959c
SCIP notification number (Bulgaria)	b4d2cc36-ab4c-496b-9e7e-7bb7c557d2e3
SCIP notification number (Czech Republic)	4e3021bc-9521-4bc5-97ba-9760738bca56
SCIP notification number (Denmark)	00cad622-a5a6-4fb2-8481-9e7bbf96c3f4

**Environmental Product Compliance**

SCIP notification number (Finland)	4c744e47-cbe4-427d-bbe2-9253e56145f5
SCIP notification number (France)	97e502b0-2db1-430e-a345-cd6118c123b2
SCIP notification number (Germany)	e8d89f4c-5b4d-4810-b2e5-eea149c4b9a4
SCIP notification number (Hungary)	5f5a0e35-6873-4a2c-bd24-e453f0c7a31e
SCIP notification number (Italy)	741e839c-bbd6-47d1-8d3d-d6c1d1bc11ce
SCIP notification number (Netherlands)	1721e0ca-aa62-442e-b50e-073d56d21186
SCIP notification number (Poland)	fffd907d-c5ea-4395-a795-4496c3dadb1f
SCIP notification number (Romania)	bb944c68-d93e-4936-a2c6-f83d009e6f49
SCIP notification number (Sweden)	6cab1041-53ac-4e56-b2f4-c32162d6086f

**Approvals / Certificates**

General approvals			Declarations of conformity and manufacturer's declarations		
Approval	Standard	Certificate Name	Approval	Standard	Certificate Name
EAC GZO Almaty Standart	TP TC 004/2011	EAC CoC 03078	EU-Declaration of Confor- mity WAGO GmbH & Co. KG	-	-
UL Underwriters Laboratories Inc. (ORDINARY LOCATI- ONS)	UL 508	E175199 Sec.4	UK-Declaration of Confor- mity WAGO GmbH & Co. KG	-	-

**Approvals for marine applications**

Approval	Standard	Certificate Name
DNV DNV Germany GmbH	DNV-CG-0339, Aug. 2021	TAA00001D1
PRS Polski Rejestr Statków	-	TE/1098/880590/23

**Approvals for hazardous areas**

Approval	Standard	Certificate Name
CCC CNEX	CNCA-C23-01	2021312304000982 (Ex ec nC IIC T4 Gc)
UKEx WAGO GmbH & Co. KG	EN 60079-0	UKCA_WA- GO22UKEX007X_ec nC

**Downloads**

Environmental Product Compliance	
Compliance Search	
Environmental Product Compliance 859-390	↓

**Documentation**

Bid Text				Instruction Leaflet			
859-390	19.02.2019	xml 4.51 KB		CCC Ex (Additional information)	26.04.2023	pdf 132.68 KB	
859-390	20.02.2019	docx 17.00 KB		Relay modules, Opto-coupler modules	V 2.0.0 19.01.2022	pdf 2066.27 KB	

**CAD/CAE-Data**

CAD data	CAE data
2D/3D Models 859-390	EPLAN Data Portal 859-390
	WSCAD Universe 859-390
	ZUKEN Portal 859-390

**1 Compatible Products**

**1.1 Optional Accessories**

**1.1.1 End plate**

**1.1.1.1 End plate**



**Item No.: 859-525**  
End and intermediate plate; 1 mm thick; gray

**1.1.1.2 Intermediate plate**



**Item No.: 859-525**  
End and intermediate plate; 1 mm thick; gray

**1.1.2 Ferrule**

**1.1.2.1 Ferrule**



**Item No.: 216-321**  
Ferrule; Sleeve for 0.25 mm<sup>2</sup> / AWG 24; insulated; electro-tin plated; yellow



**Item No.: 216-322**  
Ferrule; Sleeve for 0.34 mm<sup>2</sup> / 22 AWG; insulated; electro-tin plated; light turquoise



**Item No.: 216-221**  
Ferrule; Sleeve for 0.5 mm<sup>2</sup> / 20 AWG; insulated; electro-tin plated; white



**Item No.: 216-222**  
Ferrule; Sleeve for 0.75 mm<sup>2</sup> / 18 AWG; insulated; electro-tin plated; gray



**Item No.: 216-223**  
Ferrule; Sleeve for 1 mm<sup>2</sup> / AWG 18; insulated; electro-tin plated; red



**Item No.: 216-224**  
Ferrule; Sleeve for 1.5 mm<sup>2</sup> / AWG 16; insulated; electro-tin plated; black

1.1.3 Jumper

1.1.3.1 Jumper



**Item No.: 859-410/000-006**

Jumper; for jumper slot; 10-way; insulated; blue



**Item No.: 859-410**

Jumper; for jumper slot; 10-way; insulated; light gray



**Item No.: 859-410/000-005**

Jumper; for jumper slot; 10-way; insulated; red



**Item No.: 859-410/000-029**

Jumper; for jumper slot; 10-way; insulated; yellow



**Item No.: 859-402/000-006**

Jumper; for jumper slot; 2-way; insulated; blue



**Item No.: 859-402**

Jumper; for jumper slot; 2-way; insulated; light gray



**Item No.: 859-402/000-005**

Jumper; for jumper slot; 2-way; insulated; red



**Item No.: 859-402/000-029**

Jumper; for jumper slot; 2-way; insulated; yellow



**Item No.: 859-403/000-006**

Jumper; for jumper slot; 3-way; insulated; blue



**Item No.: 859-403**

Jumper; for jumper slot; 3-way; insulated; light gray



**Item No.: 859-403/000-005**

Jumper; for jumper slot; 3-way; insulated; red



**Item No.: 859-403/000-029**

Jumper; for jumper slot; 3-way; insulated; yellow



**Item No.: 859-404/000-006**

Jumper; for jumper slot; 4-way; insulated; blue



**Item No.: 859-404**

Jumper; for jumper slot; 4-way; insulated; light gray



**Item No.: 859-404/000-005**

Jumper; for jumper slot; 4-way; insulated; red



**Item No.: 859-404/000-029**

Jumper; for jumper slot; 4-way; insulated; yellow



**Item No.: 859-405/000-006**

Jumper; for jumper slot; 5-way; insulated; blue



**Item No.: 859-405**

Jumper; for jumper slot; 5-way; insulated; light gray



**Item No.: 859-405/000-005**

Jumper; for jumper slot; 5-way; insulated; red



**Item No.: 859-405/000-029**

Jumper; for jumper slot; 5-way; insulated; yellow



**Item No.: 859-406/000-006**

Jumper; for jumper slot; 6-way; insulated; blue



**Item No.: 859-406**

Jumper; for jumper slot; 6-way; insulated; light gray



**Item No.: 859-406/000-005**

Jumper; for jumper slot; 6-way; insulated; red



**Item No.: 859-406/000-029**

Jumper; for jumper slot; 6-way; insulated; signal yellow



**Item No.: 859-407/000-006**

Jumper; for jumper slot; 7-way; insulated; blue



**Item No.: 859-407**

Jumper; for jumper slot; 7-way; insulated; light gray



**Item No.: 859-407/000-005**

Jumper; for jumper slot; 7-way; insulated; red



**Item No.: 859-407/000-029**

Jumper; for jumper slot; 7-way; insulated; yellow



**Item No.: 859-408/000-006**

Jumper; for jumper slot; 8-way; insulated; blue



**Item No.: 859-408**

Jumper; for jumper slot; 8-way; insulated; light gray



**Item No.: 859-408/000-005**

Jumper; for jumper slot; 8-way; insulated; red



**Item No.: 859-408/000-029**

Jumper; for jumper slot; 8-way; insulated; yellow



**Item No.: 859-409/000-006**

Jumper; for jumper slot; 9-way; insulated; blue



**Item No.: 859-409**

Jumper; for jumper slot; 9-way; insulated; light gray



**Item No.: 859-409/000-005**

Jumper; for jumper slot; 9-way; insulated; red



**Item No.: 859-409/000-029**

Jumper; for jumper slot; 9-way; insulated; yellow



1.1.4 Marking

1.1.4.1 Marker



**Item No.: 2009-145**

Mini-WSB Inline; for Smart Printer; 1700 pieces on roll; stretchable 5 - 5.2 mm; plain; snap-on type; white

**Item No.: 248-502**

Mini-WSB marking card; as card; MARKED; 1 ... 10 (10x); not stretchable; Horizontal marking; snap-on type; white

**Item No.: 248-503**

Mini-WSB marking card; as card; MARKED; 11 ... 20 (10x); not stretchable; Horizontal marking; snap-on type; white

**Item No.: 248-504**

Mini-WSB marking card; as card; MARKED; 21 ... 30 (10x); not stretchable; Horizontal marking; snap-on type; white



**Item No.: 248-506**

Mini-WSB marking card; as card; MARKED; 41 ... 50 (10x); not stretchable; Horizontal marking; snap-on type; white

**Item No.: 248-501**

Mini-WSB marking card; as card; not stretchable; plain; snap-on type; white

### 1.1.4.2 Marking device



**Item No.: 210-110**

Fiber-tip pen

### 1.1.5 Test and measurement

#### 1.1.5.1 Testing accessories



**Item No.: 859-500**

WAGO Test pin; 1 mm Ø; 30 V AC / 60 V DC; CAT0; 1 A; 10 mm uninsulated; Test lead for soldering up to 0,5mm<sup>2</sup>

### 1.1.6 Tool

#### 1.1.6.1 Operating tool

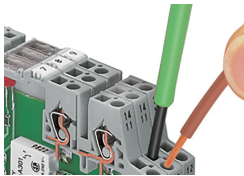


**Item No.: 210-720**

Operating tool; Blade: 3.5 x 0.5 mm; with a partially insulated shaft; multicoloured

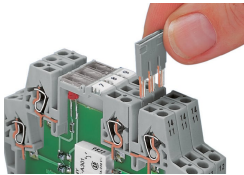
## Installation Notes

### Conductor termination



Conductor termination

### Commoning



Easy commoning using adjacent jumpers

Marking



Marking via Mini-WSB Quick Marking System