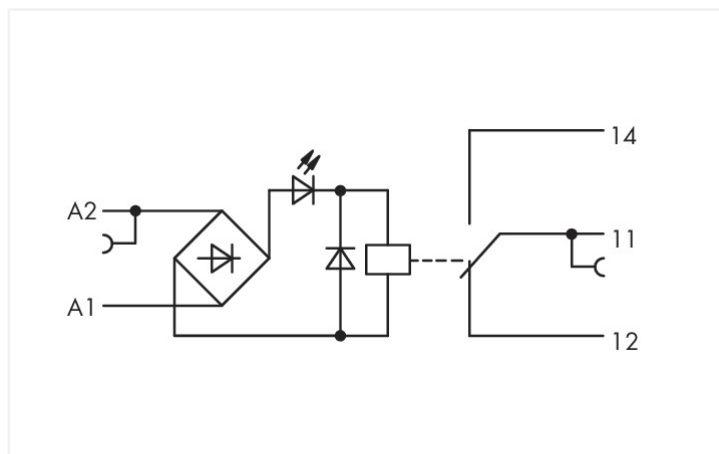
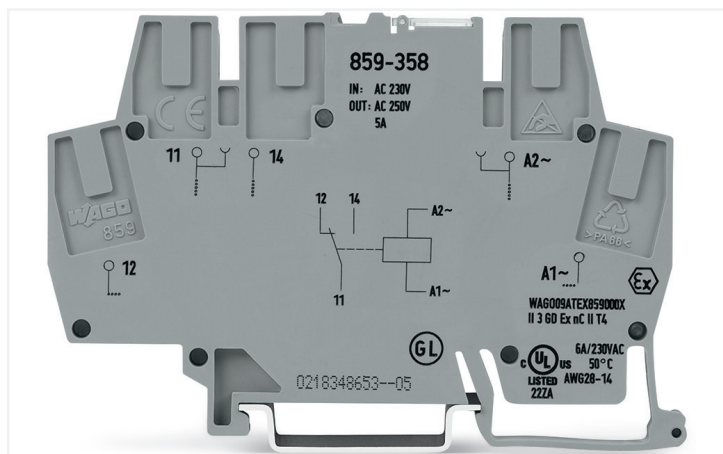


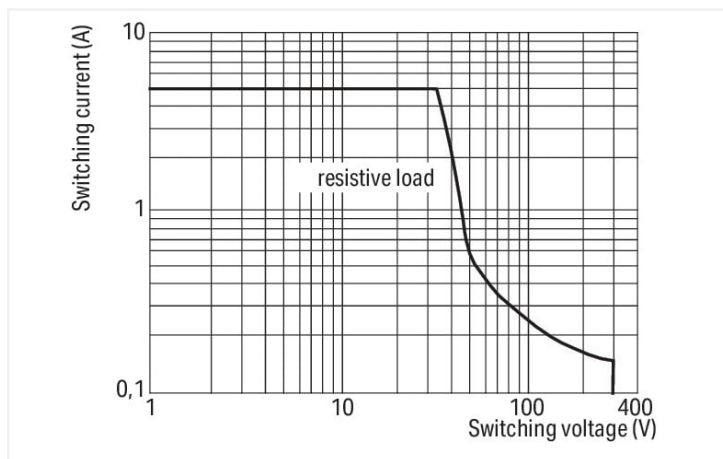
## Data Sheet | Item Number: 859-358

Relay module; Nominal input voltage: 230 V AC/DC; 1 changeover contact; Red status indicator; Module width: 6 mm; 2,50 mm<sup>2</sup>; gray

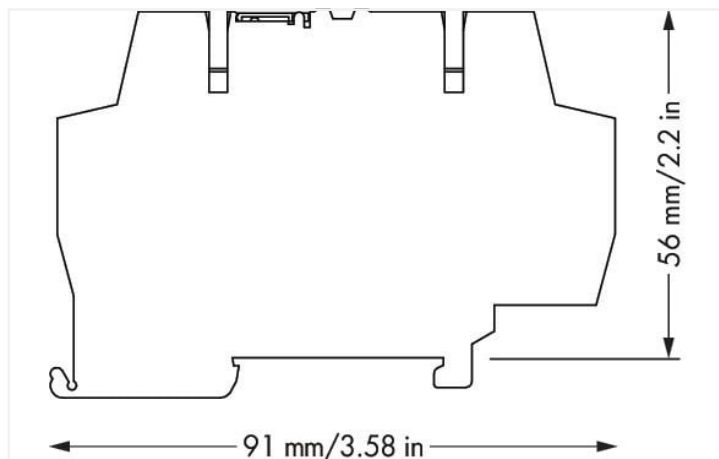
<https://www.wago.com/859-358>



Color: ■ gray



DC load limit curve



Dimensions in mm

### Notes

Note

To protect the relay coils and contacts, inductive loads must be dampened with an effective protection circuit.

### Technical data

#### Control circuit

Nominal input voltage $U_N$	AC/DC 230 V
Input voltage range	-15 ... +10 %
Nominal input current at $U_N$	4 mA

#### Load circuit

Number of changeover/switchover contacts	1
Contact material (relay)	AgSnO <sub>2</sub>
Limiting continuous current	5 A
Inrush current (resistive) max.	(AC) 20 A / 0.02 s
Switching voltage (max.)	AC 250 V
Switching power (resistive) max.	AC 1250 VA; DC (see load limit curve)
Switching capacity	AC-15: 3 A / AC 250 V; DC-13: 2 A / DC 24 V
Recommended minimum load	10 V / 10 mA; 24 V / 1 mA
Pull-in time (typ.)	15 ms
Drop-out time (typ.)	25 ms
Bounce time (typ.)	3.5 ms
Electrical life (NO; resistive load; 23 °C)	50 x 10 <sup>3</sup> switching operations
Mechanical life	5 x 10 <sup>6</sup> switching operations

### Load circuit

Switching frequency with/without load (max.)	6 min <sup>-1</sup> / 180 min <sup>-1</sup>
--	---

### Signaling

Status indicator	Red LED
------------------	---------

### Safety and protection

Rated voltage	300 V
Rated surge voltage	4 kV
Overvoltage category	III
Pollution degree	2
Dielectric strength (control/load circuit) (AC, 1 min)	4 kVrms
Dielectric strength (open contact) (AC, 1 min)	1 kVrms
Insulation type (control/load circuit)	Reinforced insulation (safe isolation)
Insulation type (adjacent devices)	Reinforced insulation (safe isolation)
Protection type	IP20; in connected state or when using 859-525 end plate

### Connection data

Connection technology	CAGE CLAMP®
Solid conductor	0.08 ... 2.5 mm <sup>2</sup> / 28 ... 14 AWG
Fine-stranded conductor	0.08 ... 2.5 mm <sup>2</sup> / 28 ... 14 AWG
Fine-stranded conductor; with insulated ferrule	0.08 ... 1.5 mm <sup>2</sup> / 28 ... 16 AWG
Strip length	5 ... 6 mm / 0.2 ... 0.24 inches

### Physical data

Width	6 mm / 0.236 inches
Height	91 mm / 3.583 inches
Depth from upper-edge of DIN-rail	56 mm / 2.205 inches

### Mechanical data

Mounting type	DIN-35 rail
Mounting position	horizontal (standing/lying); vertical

### Material data

Color	gray
Fire load	0.338 MJ
Weight	22.9 g

### Environmental requirements

Ambient temperature (operation at U <sub>N</sub> )	-40 ... +50 °C
Ambient temperature (storage)	-40 ... +70 °C
Processing temperature	-25 ... +50 °C
Temperature range of connection cable	≥ (T <sub>ambient</sub> + 20 K)
Relative humidity	5 ... 95 % (no condensation permissible)
Operating altitude (max.)	2000 m

## Standards and specifications

Standards/specifications	EN 61010-2-201 EN 61810-1 EN 61373 UL 508 DNV
--------------------------	---

## Commercial data

Product Group	6 (INTERFACE ELECTRONIC)
eCl@ss 10.0	27-37-16-01
eCl@ss 9.0	27-37-16-01
ETIM 8.0	EC001437
ETIM 7.0	EC001437
PU (SPU)	10 pcs
Packaging type	Box
Country of origin	CN
GTIN	4055143604161
Customs tariff number	85364900990

## Environmental Product Compliance

CAS-No.	7439-92-1 79-94-7
REACH Candidate List Substance	2,2',6,6'-tetrabromo-4,4'-isopropylidenediphenol Lead
RoHS Compliance Status	Compliant,With Exemption
RoHS Exemption	7(a) 7(c)-I 7(c)-II
SCIP notification number (Austria)	13f417b3-0350-4125-92d8-47f96bd30ac1
SCIP notification number (Belgium)	51550585-44d4-4be4-a3f4-37be51a18d9c
SCIP notification number (Bulgaria)	defc57c1-fa9f-4ef2-8b1e-dac512ed0739
SCIP notification number (Czech Republic)	e9844ef6-1d0b-4260-aaaf-943299c9255c
SCIP notification number (Denmark)	398e9ff9-9052-4283-b02d-7f845d88a2d4
SCIP notification number (Finland)	0d4388fc-1e38-4ab1-b0a2-bbe5ec32f608
SCIP notification number (France)	f87784ab-2e70-4e72-b82a-45f45d2c1ca7
SCIP notification number (Germany)	b3467cdf-97aa-4c7b-8da1-9b50aff7c476
SCIP notification number (Hungary)	f74899d9-fe2b-49b1-b327-2b506a0de174
SCIP notification number (Italy)	a584b99e-870d-43c2-bcaf-c29c6b35f4c6
SCIP notification number (Netherlands)	66693007-fe32-4d11-b093-65eaf901be77
SCIP notification number (Poland)	4b57b95e-8570-4e64-a07e-bbc2d72f1bdd
SCIP notification number (Romania)	1ffb1fe6-db73-416e-8572-6003a9ab3b57
SCIP notification number (Sweden)	77ac6166-cab7-4907-aa26-87c06b12a88f

## Approvals / Certificates

### General approvals



Approval	Standard	Certificate Name
UL Underwriters Laboratories Inc. (ORDINARY LOCATIONS)	UL 508	E175199 Sec.4

### Declarations of conformity and manufacturer's declarations

Approval	Standard	Certificate Name
EU-Declaration of Confor- mity WAGO GmbH & Co. KG	-	-
UK-Declaration of Confor- mity WAGO GmbH & Co. KG	-	-

Approvals for marine applications



Approval	Standard	Certificate Name
DNV DNV Germany GmbH	DNV-CG-0339, Aug. 2021	TAA00001D1
PRS Polski Rejestr Statków	-	TE/2186/880590/18

Approvals for hazardous areas

Approval	Standard	Certificate Name
CCC CNEX	CNCA-C23-01	2021312304000982 (Ex ec nC IIC T4 Gc)
UKEx WAGO GmbH & Co. KG	EN 60079-0	UKCA_WA-GO22UKEX007X_ec nC

Downloads

Environmental Product Compliance

Compliance Search
Environmental Product Compliance 859-358 <a href="#">↓</a>

Documentation

Bid Text			
859-358	19.02.2019	xml 4.49 KB	<a href="#">↓</a>
859-358	20.02.2019	docx 16.85 KB	<a href="#">↓</a>

Instruction Leaflet			
CCC Ex (Additional information)	26.04.2023	pdf 132.68 KB	<a href="#">↓</a>
Relay modules, Opto-coupler modules	V 2.0.0 19.01.2022	pdf 2066.27 KB	<a href="#">↓</a>

CAD/CAE-Data

CAD data
2D/3D Models 859-358 <a href="#">↓</a>

CAE data
EPLAN Data Portal 859-358 <a href="#">↓</a>
WSCAD Universe 859-358 <a href="#">↓</a>
ZUKEN Portal 859-358 <a href="#">↓</a>

1 Compatible Products

1.1 Optional Accessories

1.1.1 End plate

1.1.1.1 End plate



**Item No.: 859-525**  
End and intermediate plate; 1 mm thick; gray

1.1.1.2 Intermediate plate



**Item No.: 859-525**  
End and intermediate plate; 1 mm thick; gray

1.1.2 Ferrule

1.1.2.1 Ferrule



**Item No.: 216-321**  
Ferrule; Sleeve for 0.25 mm<sup>2</sup> / AWG 24; insulated; electro-tin plated; yellow



**Item No.: 216-322**  
Ferrule; Sleeve for 0.34 mm<sup>2</sup> / 22 AWG; insulated; electro-tin plated; light turquoise



**Item No.: 216-221**  
Ferrule; Sleeve for 0.5 mm<sup>2</sup> / 20 AWG; insulated; electro-tin plated; white



**Item No.: 216-222**  
Ferrule; Sleeve for 0.75 mm<sup>2</sup> / 18 AWG; insulated; electro-tin plated; gray



**Item No.: 216-223**  
Ferrule; Sleeve for 1 mm<sup>2</sup> / AWG 18; insulated; electro-tin plated; red



**Item No.: 216-224**  
Ferrule; Sleeve for 1.5 mm<sup>2</sup> / AWG 16; insulated; electro-tin plated; black

1.1.3 Jumper

1.1.3.1 Jumper



**Item No.: 859-410/000-006**  
Jumper; for jumper slot; 10-way; insulated; blue



**Item No.: 859-410**  
Jumper; for jumper slot; 10-way; insulated; light gray



**Item No.: 859-410/000-005**  
Jumper; for jumper slot; 10-way; insulated; red



**Item No.: 859-410/000-029**  
Jumper; for jumper slot; 10-way; insulated; yellow



**Item No.: 859-402/000-006**  
Jumper; for jumper slot; 2-way; insulated; blue



**Item No.: 859-402**  
Jumper; for jumper slot; 2-way; insulated; light gray



**Item No.: 859-402/000-005**  
Jumper; for jumper slot; 2-way; insulated; red



**Item No.: 859-402/000-029**  
Jumper; for jumper slot; 2-way; insulated; yellow



**Item No.: 859-403/000-006**  
Jumper; for jumper slot; 3-way; insulated; blue



**Item No.: 859-403**  
Jumper; for jumper slot; 3-way; insulated; light gray



**Item No.: 859-403/000-005**  
Jumper; for jumper slot; 3-way; insulated; red



**Item No.: 859-403/000-029**  
Jumper; for jumper slot; 3-way; insulated; yellow



**Item No.: 859-404/000-006**  
Jumper; for jumper slot; 4-way; insulated; blue



**Item No.: 859-404**  
Jumper; for jumper slot; 4-way; insulated; light gray



**Item No.: 859-404/000-005**  
Jumper; for jumper slot; 4-way; insulated; red



**Item No.: 859-404/000-029**  
Jumper; for jumper slot; 4-way; insulated; yellow



**Item No.: 859-405/000-006**  
Jumper; for jumper slot; 5-way; insulated; blue



**Item No.: 859-405**  
Jumper; for jumper slot; 5-way; insulated; light gray



**Item No.: 859-405/000-005**  
Jumper; for jumper slot; 5-way; insulated; red



**Item No.: 859-405/000-029**  
Jumper; for jumper slot; 5-way; insulated; yellow



**Item No.: 859-406/000-006**  
Jumper; for jumper slot; 6-way; insulated; blue



**Item No.: 859-406**  
Jumper; for jumper slot; 6-way; insulated; light gray



**Item No.: 859-406/000-005**  
Jumper; for jumper slot; 6-way; insulated; red



**Item No.: 859-406/000-029**  
Jumper; for jumper slot; 6-way; insulated; signal yellow

### 1.1.3.1 Jumper



**Item No.: 859-407/000-006**

Jumper; for jumper slot; 7-way; insulated; blue



**Item No.: 859-407**

Jumper; for jumper slot; 7-way; insulated; light gray



**Item No.: 859-407/000-005**

Jumper; for jumper slot; 7-way; insulated; red



**Item No.: 859-407/000-029**

Jumper; for jumper slot; 7-way; insulated; yellow



**Item No.: 859-408/000-006**

Jumper; for jumper slot; 8-way; insulated; blue



**Item No.: 859-408**

Jumper; for jumper slot; 8-way; insulated; light gray



**Item No.: 859-408/000-005**

Jumper; for jumper slot; 8-way; insulated; red



**Item No.: 859-408/000-029**

Jumper; for jumper slot; 8-way; insulated; yellow



**Item No.: 859-409/000-006**

Jumper; for jumper slot; 9-way; insulated; blue



**Item No.: 859-409**

Jumper; for jumper slot; 9-way; insulated; light gray



**Item No.: 859-409/000-005**

Jumper; for jumper slot; 9-way; insulated; red



**Item No.: 859-409/000-029**

Jumper; for jumper slot; 9-way; insulated; yellow

### 1.1.4 Marking

#### 1.1.4.1 Marker



**Item No.: 2009-145**

Mini-WSB Inline; for Smart Printer; 1700 pieces on roll; stretchable 5 - 5.2 mm; plain; snap-on type; white



**Item No.: 248-502**

Mini-WSB marking card; as card; MARKED; 1 ... 10 (10x); not stretchable; Horizontal marking; snap-on type; white



**Item No.: 248-503**

Mini-WSB marking card; as card; MARKED; 11 ... 20 (10x); not stretchable; Horizontal marking; snap-on type; white



**Item No.: 248-504**

Mini-WSB marking card; as card; MARKED; 21 ... 30 (10x); not stretchable; Horizontal marking; snap-on type; white



**Item No.: 248-506**

Mini-WSB marking card; as card; MARKED; 41 ... 50 (10x); not stretchable; Horizontal marking; snap-on type; white



**Item No.: 248-501**

Mini-WSB marking card; as card; not stretchable; plain; snap-on type; white

#### 1.1.4.2 Marking devices



**Item No.: 210-110**

Fiber-tip pen

### 1.1.5 Test and measurement

#### 1.1.5.1 Testing accessories



**Item No.: 859-500**

WAGO Test pin; 1 mm Ø; 30 V AC / 60 V DC; CAT0; 1 A; 10 mm uninsulated; Test lead for soldering up to 0,5mm<sup>2</sup>

### 1.1.6 Tool

### 1.1.6.1 Operating tool

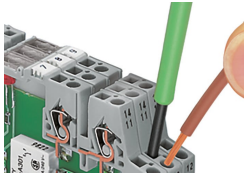


**Item No.: 210-720**

Operating tool; Blade: 3.5 x 0.5 mm; with a partially insulated shaft; multicoloured

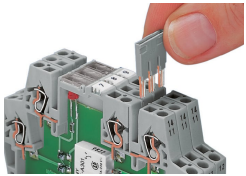
## Installation Notes

### Conductor termination



Conductor termination

### Commoning



Easy commoning using adjacent jumpers

### Marking



Marking via Mini-WSB Quick Marking System