

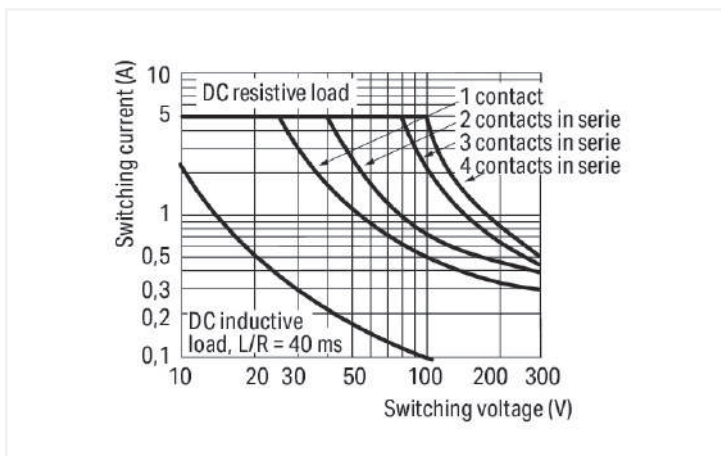
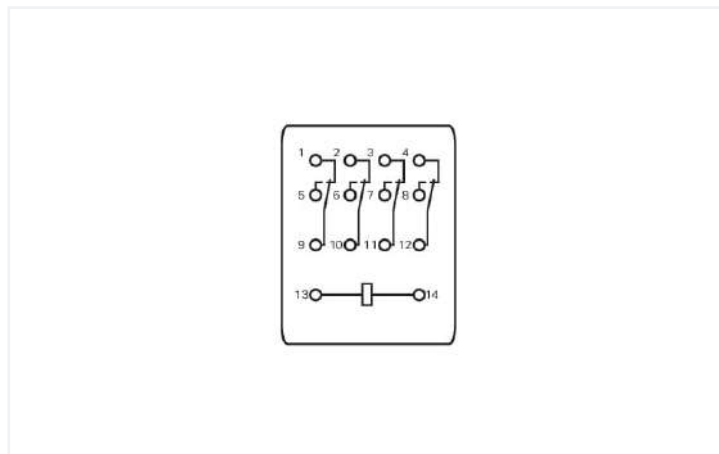
Data Sheet | Item Number: 858-158

Basic relay; Nominal input voltage: 120 VAC; 4 changeover contacts; Limiting continuous current: 5 A; with manual operation

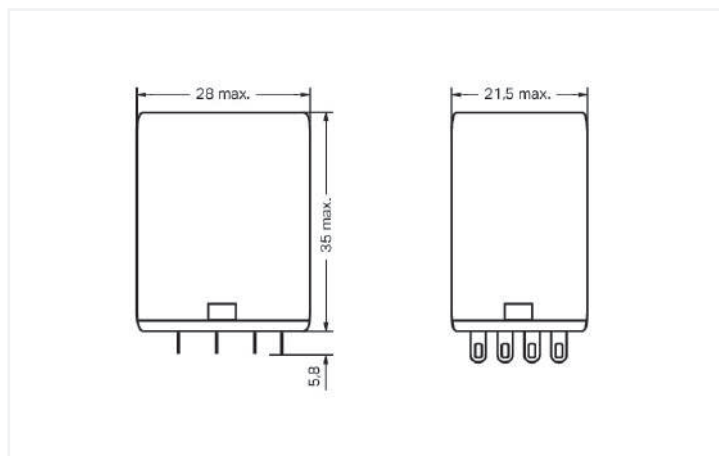
<https://www.wago.com/858-158>



Similar to illustration



DC load limit curve



Dimensions in mm

Technical data

Control circuit

Nominal input voltage U_N	AC 120 V
Nominal input current at U_N	10 mA

Load circuit

Number of changeover/switchover contacts	4
Contact material (relay)	AgCe
Limiting continuous current	5 A
Inrush current (resistive) max.	(AC) 15 A / 4 s
Switching voltage (max.)	AC 250 V
Switching power (resistive) max.	AC 1250 VA; DC (see load limit curve)
Recommended minimum load	12 V / 100 mA
Pull-in time (typ.)	25 ms
Drop-out time (typ.)	25 ms
Bounce time (typ.)	4 ms
Electrical life (NO; resistive load; 23 °C)	100 x 10 ³ switching operations
Mechanical life	20 x 10 ⁶ switching operations

Signaling

Status indicator	Red LED Mechanical
------------------	-----------------------

Safety and protection

Dielectric strength (control/load circuit) (AC, 1 min)	1.5 kVrms
Dielectric strength (open contact) (AC, 1 min)	1 kVrms
Dielectric strength (load/load circuit) (AC, 1 min)	1.5 kVrms
Protection type	IP20

Physical data

Width	21.5 mm / 0.846 inches
Height from the surface	35 mm / 1.378 inches
Depth	28 mm / 1.102 inches

Mechanical data

Mounting type	Pluggable module
---------------	------------------

Material data

Fire load	0 MJ
Weight	34.2 g

Environmental requirements

Ambient temperature (operation at U_N)	-25 ... +70 °C
Ambient temperature (storage)	-40 ... +80 °C

Standards and specifications

Standards/specifications	EN 61810-1
--------------------------	------------

Commercial data

Product Group	6 (INTERFACE ELECTRONIC)
eCl@ss 10.0	27-37-16-01
eCl@ss 9.0	27-37-16-01
ETIM 8.0	EC001437
ETIM 7.0	EC001437
PU (SPU)	3 pcs
Packaging type	Box
Country of origin	CN
GTIN	4055143532044
Customs tariff number	85364190890

Environmental Product Compliance

RoHS Compliance Status	Compliant, No Exemption
------------------------	-------------------------

Downloads

Environmental Product Compliance

Compliance Search			
Environmental Product Compliance 858-158			↓

Documentation

Bid Text			
858-158	29.11.2018	doc 25.00 KB	↓
858-158	19.02.2019	xml 3.99 KB	↓

CAD/CAE-Data

CAD data			
2D/3D Models 858-158			↓

CAE data			
EPLAN Data Portal 858-158			↓
WSCAD Universe 858-158			↓
ZUKEN Portal 858-158			↓

1 Compatible Products

1.1 Optional Accessories

1.1.1 Socket

1.1.1.1 Socket without relay



Item No.: 858-100
Relay socket; 4 changeover contacts

Subject to changes. Please also observe the further product documentation!

Current addresses can be found at: www.wago.com