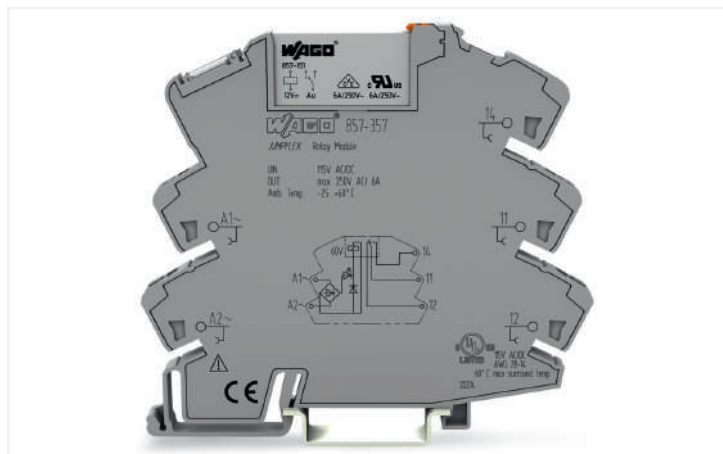


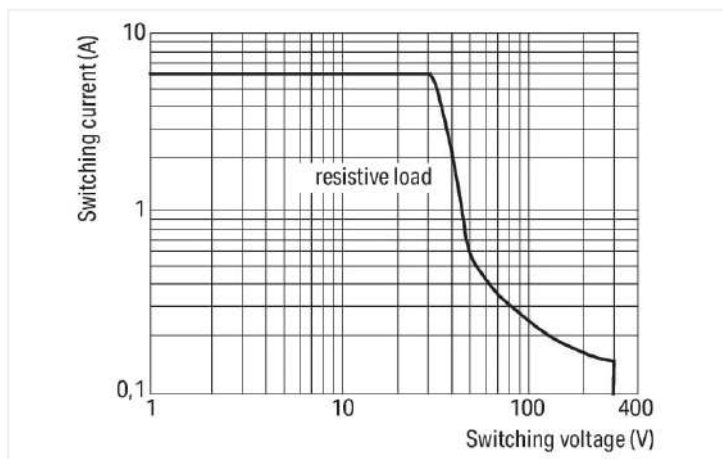
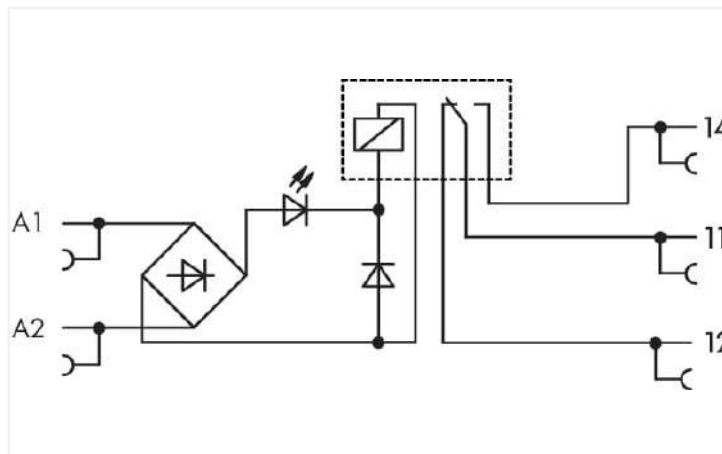
Data Sheet | Item Number: 857-357

Relay module; Nominal input voltage: 115 V AC/DC; 1 changeover contact; Limiting continuous current: 6 A; Yellow status indicator; Module width: 6 mm; 2,50 mm²; gray

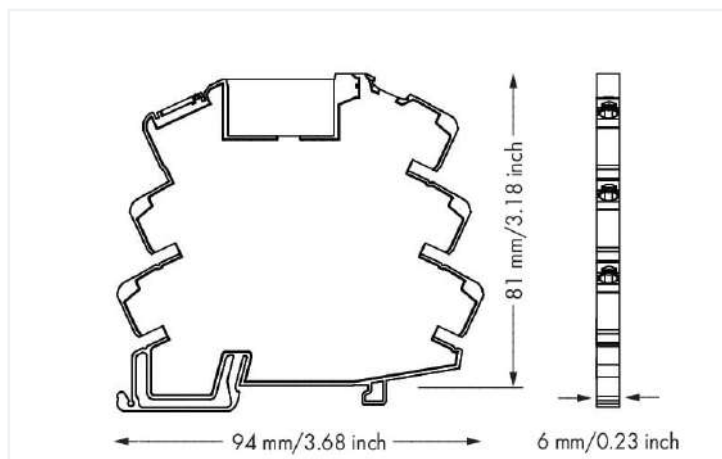
<https://www.wago.com/857-357>



Color: ■ gray



DC load limit curve



Dimensions in mm

Notes

Safety information

Adjacent devices are devices of the same design (series) that are arranged next to each other with the same orientation on the mounting rail. An end stop (249-116) must be fitted to devices of other types for compliance with the reinforced insulation requirements.

Note

To protect the relay coils and contacts, inductive loads must be dampened with an effective protection circuit.

Technical data

Control circuit

Nominal input voltage U_N	AC/DC 115 V
Input voltage range	±20 %
Nominal input current at U_N	4 mA
Nominal frequency range (input voltage)	50 ... 60 HzAC / 0 HzDC

Load circuit

Number of changeover/switchover contacts	1
Contact material (relay)	AgSnO ₂
Limiting continuous current	6 A
Inrush current (resistive) max.	(AC) 20 A / 0.02 s
Switching voltage (max.)	AC 250 V
Switching power (resistive) max.	AC 1500 VA; DC (see load limit curve)
Switching capacity	AC-15: 3 A / AC 250 V; DC-13: 2 A / DC 24 V
Recommended minimum load	10 V / 10 mA; 24 V / 1 mA
Pull-in time (typ.)	15 ms

Load circuit

Drop-out time (typ.)	25 ms
Bounce time (typ.)	3.5 ms
Electrical life (NO; resistive load; 23 °C)	50 x 10 ³ switching operations
Mechanical life	5 x 10 ⁶ switching operations
Switching frequency with/without load (max.)	6 min ⁻¹ / 180 min ⁻¹

Signaling

Status indicator	Yellow LED
------------------	------------

Safety and protection

Rated voltage	300 V
Rated surge voltage	4 kV
Type of circuits	Mains circuits
Overvoltage category	III
Pollution degree	2
Dielectric strength (control/load circuit) (AC, 1 min)	3.51 kVrms
Dielectric strength (open contact) (AC, 1 min)	1 kVrms
Insulation type (control/load circuit)	Reinforced insulation (safe isolation)
Insulation type (between adjacent devices of the same type)	Double insulation (safe isolation)
Insulation type (to adjacent devices of different types)	Basic insulation
Safety information	Adjacent devices are devices of the same design (series) that are arranged next to each other with the same orientation on the mounting rail. An end stop (249-116) must be fitted to devices of other types for compliance with the reinforced insulation requirements.
Protection type	IP20

Connection data

Connection technology	Push-in CAGE CLAMP®
Solid conductor	0.34 ... 2.5 mm ² / 22 ... 14 AWG
Fine-stranded conductor	0.34 ... 2.5 mm ² / 22 ... 14 AWG
Fine-stranded conductor; with insulated ferrule	0.34 ... 1.5 mm ² / 22 ... 16 AWG
Strip length	9 ... 10 mm / 0.35 ... 0.39 inches

Physical data

Width	6 mm / 0.236 inches
Height	94 mm / 3.701 inches
Depth from upper-edge of DIN-rail	81 mm / 3.189 inches

Mechanical data

Mounting type	DIN-35 rail
Mounting position	horizontal (standing/lying); vertical

Material data

Color	gray
Fire load	0.552 MJ
Weight	32.2 g

Environmental requirements

Ambient temperature (operation at U_N)	-40 ... +60 °C
Ambient temperature (storage)	-40 ... +70 °C
Processing temperature	-25 ... +50 °C
Temperature range of connection cable	$\geq (T_{\text{ambient}} + 30 \text{ K})$
Relative humidity	5 ... 85 % (no condensation permissible)
Operating altitude (max.)	2000 m

Standards and specifications

Standards/specifications	EN 61010-2-201 EN 61810-1 EN 61373 UL 508 ATEX IEC Ex
--------------------------	--

Basic relay

WAGO Basic Relay	857-155
------------------	---------

Commercial data

Product Group	6 (INTERFACE ELECTRONIC)
eCl@ss 10.0	27-37-16-01
eCl@ss 9.0	27-37-16-01
ETIM 8.0	EC001437
ETIM 7.0	EC001437
PU (SPU)	25 (1) pcs
Packaging type	Box
Country of origin	CN
GTIN	4055143656467
Customs tariff number	85364900990

Environmental Product Compliance

CAS-No.	7439-92-1 79-94-7
REACH Candidate List Substance	2,2',6,6'-tetrabromo-4,4'-isopropylidenediphenol Lead
RoHS Compliance Status	Compliant,With Exemption
RoHS Exemption	6(c) 7(a) 7(c)-I 7(c)-II
SCIP notification number (Austria)	651510e2-bc77-4f9c-adab-82e8c080e0f7
SCIP notification number (Belgium)	22c6021d-99ac-4af0-9645-521dbf23d87b
SCIP notification number (Bulgaria)	613c22cc-a559-4591-a621-7ffd56cee5d9
SCIP notification number (Czech Republic)	88139db2-cbc4-4eee-b7e3-f4c6877e05d0
SCIP notification number (Denmark)	166ef08a-f291-40c7-a2aa-b6a1d640e983
SCIP notification number (Finland)	85c9df07-7daa-452b-af03-6e19fe165acd
SCIP notification number (France)	1db9a7c5-f3ae-4281-a0e8-6d09808fa927
SCIP notification number (Germany)	7aaf2c8e-092b-4994-8be4-6a9c41c8143c
SCIP notification number (Hungary)	90d91d94-5b4c-4967-b262-21cf01e4cf38
SCIP notification number (Italy)	a0278798-4722-4477-9377-b637f4225d01
SCIP notification number (Netherlands)	64469622-4b43-4e51-a87e-109ef210aab3
SCIP notification number (Poland)	eedfeeac-49be-44d7-bedd-24d96912c5fb
SCIP notification number (Romania)	c5c7a7d9-3919-4250-9909-bd3fef805494
SCIP notification number (Sweden)	7a1b8bc1-3108-434a-bf7d-45ec59a2ff88

Approvals / Certificates

General approvals



Approval	Standard	Certificate Name
EAC Brjansker Zertifizierungs- stelle	TP TC 004/2011	EAC RU C-DE.AM02. B.00122/19
EAC Brjansker Zertifizierungs- stelle	TP TC 012/2011	EAC Ex 857 RU_C_DE. AZ_58_B_02148_21 nA nC (2Ex nA nC IIC T4 Gc X)
UL Underwriters Laboratories Inc. (ORDINARY LOCATI- ONS)	UL 508	E175199 Sec.4

Declarations of conformity and manufacturer's declarations

Approval	Standard	Certificate Name
EU-Declaration of Confor- mity WAGO GmbH & Co. KG	-	-
UK-Declaration of Confor- mity WAGO GmbH & Co. KG	-	-

Approvals for hazardous areas



Approval	Standard	Certificate Name
ATEX DEKRA EXAM GmbH	EN 60079-0	BVS_14_ATEX_E_091_X (II 3G Ex ec nC IIC T4 Gc; II 3G Ex ec IIC T4 Gc)
CCC CNEX	CNCA-C23-01	2020312304000757 (Ex ec nC IIC T4 Gc)
IECEX DEKRA EXAM GmbH	IEC 60079-0	IECEX_BVS_14.0079X_Is- sue_3 (Ex ec nC IIC T4 Gc; Ex ec IIC T4 Gc)
UKEx WAGO GmbH & Co. KG	EN 60079-0	UKCA_WA- GO22UKEX002X_ec nC
UL Underwriters Laboratories Inc. (HAZARDOUS LOCA- TIONS)	UL 121201	E198726

Downloads

Environmental Product Compliance

Compliance Search

Environmental Product
Compliance 857-357



Documentation

Bid Text			
857-357	19.02.2019	xml 4.71 KB	↓
857-357	20.02.2019	docx 16.45 KB	↓

Instruction Leaflet			
CCC Ex (Additional information)	26.04.2023	pdf 129.88 KB	↓

CAD/CAE-Data

CAD data	
2D/3D Models 857-357	↓

CAE data	
EPLAN Data Portal 857-357	↓
WSCAD Universe 857-357	↓
ZUKEN Portal 857-357	↓

1 Compatible Products

1.1 Optional Accessories

1.1.1 Basic relay

1.1.1.1 Basic relay



Item No.: 857-155
 Basic relay; Nominal input voltage: 60 VDC; 1 changeover contact; Limiting continuous current: 6 A; Module width: 5 mm; Module height: 15 mm

1.1.2 Ferrule

1.1.2.1 Ferrule



Item No.: 216-241
 Ferrule; Sleeve for 0.5 mm² / 20 AWG; insulated; electro-tin plated; electrolytic copper; gastight crimped; acc. to DIN 46228, Part 4/09.90; white



Item No.: 216-242
 Ferrule; Sleeve for 0.75 mm² / 18 AWG; insulated; electro-tin plated; electrolytic copper; gastight crimped; acc. to DIN 46228, Part 4/09.90; gray



Item No.: 216-243
 Ferrule; Sleeve for 1 mm² / AWG 18; insulated; electro-tin plated; electrolytic copper; gastight crimped; acc. to DIN 46228, Part 4/09.90; red



Item No.: 216-244
 Ferrule; Sleeve for 1.5 mm² / AWG 16; insulated; electro-tin plated; electrolytic copper; gastight crimped; acc. to DIN 46228, Part 4/09.90; black

1.1.3 Jumper

1.1.3.1 Jumper

Item No.: 281-482 Jumper; 2-way; insulated; gray	Item No.: 859-410/000-006 Jumper; for jumper slot; 10-way; insulated; blue	Item No.: 859-410 Jumper; for jumper slot; 10-way; insulated; light gray	Item No.: 859-410/000-005 Jumper; for jumper slot; 10-way; insulated; red
Item No.: 859-410/000-029 Jumper; for jumper slot; 10-way; insulated; yellow	Item No.: 859-402/000-006 Jumper; for jumper slot; 2-way; insulated; blue	Item No.: 859-402 Jumper; for jumper slot; 2-way; insulated; light gray	Item No.: 859-402/000-005 Jumper; for jumper slot; 2-way; insulated; red
Item No.: 859-402/000-029 Jumper; for jumper slot; 2-way; insulated; yellow	Item No.: 859-403/000-006 Jumper; for jumper slot; 3-way; insulated; blue	Item No.: 859-403 Jumper; for jumper slot; 3-way; insulated; light gray	Item No.: 859-403/000-005 Jumper; for jumper slot; 3-way; insulated; red
Item No.: 859-403/000-029 Jumper; for jumper slot; 3-way; insulated; yellow	Item No.: 859-404/000-006 Jumper; for jumper slot; 4-way; insulated; blue	Item No.: 859-404 Jumper; for jumper slot; 4-way; insulated; light gray	Item No.: 859-404/000-005 Jumper; for jumper slot; 4-way; insulated; red
Item No.: 859-404/000-029 Jumper; for jumper slot; 4-way; insulated; yellow	Item No.: 859-405/000-006 Jumper; for jumper slot; 5-way; insulated; blue	Item No.: 859-405 Jumper; for jumper slot; 5-way; insulated; light gray	Item No.: 859-405/000-005 Jumper; for jumper slot; 5-way; insulated; red
Item No.: 859-405/000-029 Jumper; for jumper slot; 5-way; insulated; yellow	Item No.: 859-406/000-006 Jumper; for jumper slot; 6-way; insulated; blue	Item No.: 859-406 Jumper; for jumper slot; 6-way; insulated; light gray	Item No.: 859-406/000-005 Jumper; for jumper slot; 6-way; insulated; red
Item No.: 859-406/000-029 Jumper; for jumper slot; 6-way; insulated; signal yellow	Item No.: 859-407/000-006 Jumper; for jumper slot; 7-way; insulated; blue	Item No.: 859-407 Jumper; for jumper slot; 7-way; insulated; light gray	Item No.: 859-407/000-005 Jumper; for jumper slot; 7-way; insulated; red
Item No.: 859-407/000-029 Jumper; for jumper slot; 7-way; insulated; yellow	Item No.: 859-408/000-006 Jumper; for jumper slot; 8-way; insulated; blue	Item No.: 859-408 Jumper; for jumper slot; 8-way; insulated; light gray	Item No.: 859-408/000-005 Jumper; for jumper slot; 8-way; insulated; red
Item No.: 859-408/000-029 Jumper; for jumper slot; 8-way; insulated; yellow	Item No.: 859-409/000-006 Jumper; for jumper slot; 9-way; insulated; blue	Item No.: 859-409 Jumper; for jumper slot; 9-way; insulated; light gray	Item No.: 859-409/000-005 Jumper; for jumper slot; 9-way; insulated; red
Item No.: 859-409/000-029 Jumper; for jumper slot; 9-way; insulated; yellow			

1.1.4 Marking

1.1.4.1 Double marker carrier

Item No.: 209-128 Adaptor; gray

1.1.4.2 Group marker carrier



Item No.: 249-105

Group marker carrier; gray

1.1.4.3 Marker



Item No.: 209-183

Marker; white



Item No.: 793-5501

WMB marking card; as card; for terminal block width 5 - 17.5 mm; stretchable 5 - 5.2 mm; plain; snap-on type; white



Item No.: 793-502

WMB marking card; as card; MARKED; 1 ... 10 (10x); not stretchable; Horizontal marking; snap-on type; white



Item No.: 793-566

WMB marking card; as card; MARKED; 1 ... 50 (2x); not stretchable; Horizontal marking; snap-on type; white



Item No.: 793-503

WMB marking card; as card; MARKED; 11 ... 20 (10x); not stretchable; Horizontal marking; snap-on type; white



Item No.: 793-504

WMB marking card; as card; MARKED; 21 ... 30 (10x); not stretchable; Horizontal marking; snap-on type; white



Item No.: 793-505

WMB marking card; as card; MARKED; 31 ... 40 (10x); not stretchable; Horizontal marking; snap-on type; white



Item No.: 793-506

WMB marking card; as card; MARKED; 41 ... 50 (10x); not stretchable; Horizontal marking; snap-on type; white



Item No.: 793-501

WMB marking card; as card; not stretchable; plain; snap-on type; white



Item No.: 2009-115

WMB-Inline; for Smart Printer; 1500 pieces on roll; stretchable 5 - 5.2 mm; plain; snap-on type; white

1.1.4.4 Marking devices



Item No.: 210-110

Fiber-tip pen

1.1.4.5 Marking strip



Item No.: 2009-110

Marking strips; for Smart Printer; on reel; not stretchable; plain; snap-on type; white

1.1.4.6 Protective marker cover



Item No.: 209-184

Protection cover; transparent

1.1.5 Tool

1.1.5.1 Operating tool

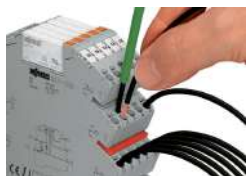


Item No.: 210-720

Operating tool; Blade: 3.5 x 0.5 mm; with a partially insulated shaft; multicoloured

Installation Notes

Conductor termination



Conductor termination

Commoning



Easy commoning using adjacent jumpers

Marking



Marking via WMB Multi Marking System.

Installation



Removing a relay via ejector.