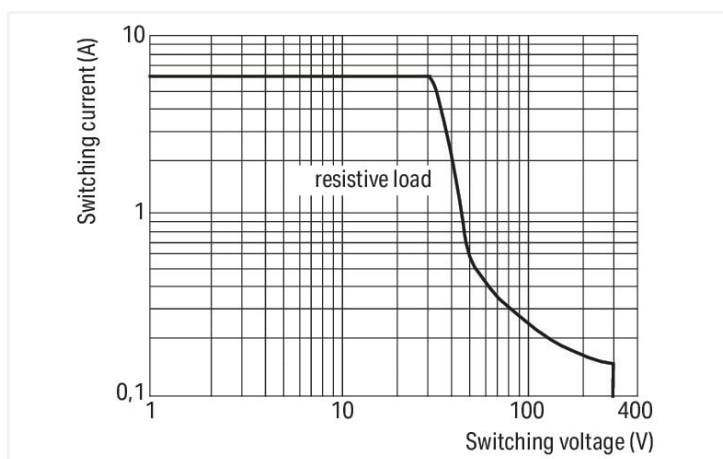
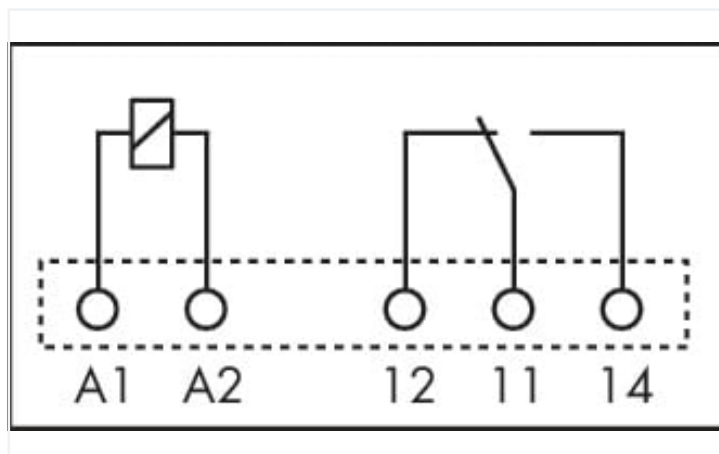
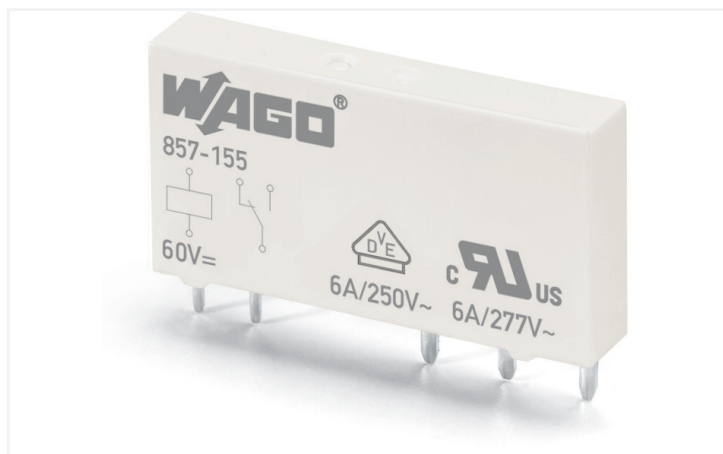


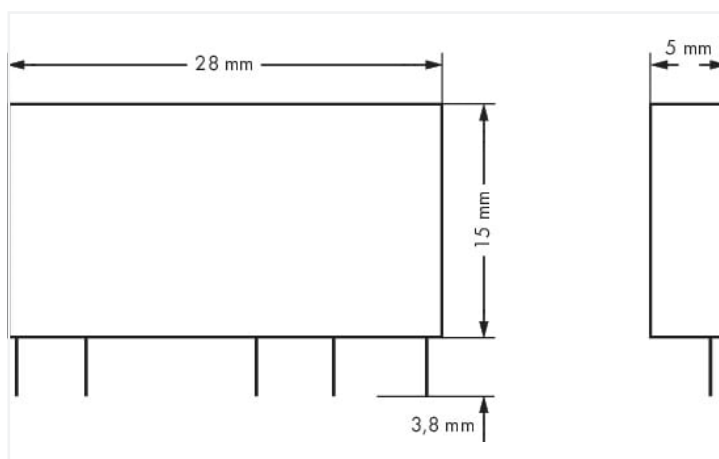
## Data Sheet | Item Number: 857-155

Basic relay; Nominal input voltage: 60 VDC; 1 changeover contact; Limiting continuous current: 6 A; Module width: 5 mm; Module height: 15 mm

<https://www.wago.com/857-155>



DC load limit curve



Dimensions in mm

### Notes

#### Note

- The 60 VDC basic relay must be used for 60 VDC, 110 VDC, 220 VDC and 115 VAC/DC, 230 VAC/DC relay modules.
- To protect the relay coils and contacts, inductive loads must be dampened with an effective protection circuit.
- 30 VDC switching voltages and 50 mA currents must not be exceeded for gold-plated basic relays. Higher switching power eventually evaporates the gold layer. The resulting deposits in the housing may reduce service life.

### Technical data

#### Control circuit

Nominal input voltage  $U_N$  DC 60 V

#### Load circuit

Number of changeover/switchover contacts	1
Contact material (relay)	AgSnO <sub>2</sub>
Limiting continuous current	6 A
Inrush current (resistive) max.	(AC) 20 A / 0.02 s
Switching voltage (max.)	AC 250 V
Switching power (resistive) max.	AC 1500 VA; DC (see load limit curve)
Switching capacity	AC-15: 3 A / AC 250 V; DC-13: 2 A / DC 24 V
Recommended minimum load	10 V / 10 mA; 24 V / 1 mA
Pull-in time (typ.)	8 ms
Drop-out time (typ.)	4 ms

### Load circuit

Bounce time (typ.)	3.5 ms
Electrical life (NO; resistive load; 23 °C)	50 x 10 <sup>3</sup> switching operations
Mechanical life	5 x 10 <sup>6</sup> switching operations
Switching frequency with/without load (max.)	6 min <sup>-1</sup> / 180 min <sup>-1</sup>

### Safety and protection

Dielectric strength (control/load circuit) (AC, 1 min)	4 kVrms
Dielectric strength (open contact) (AC, 1 min)	1 kVrms
Protection type	IP20

### Physical data

Width	5 mm / 0.197 inches
Height from the surface	15 mm / 0.591 inches
Depth	28 mm / 1.09 inches

### Mechanical data

Mounting type	Pluggable module
---------------	------------------

### Material data

Fire load	0 MJ
Weight	4.9 g

### Environmental requirements

Ambient temperature (operation at U <sub>N</sub> )	-40 ... +85 °C
Ambient temperature (storage)	-40 ... +85 °C
Relative humidity	5 ... 85 % (no condensation permissible)
Operating altitude (max.)	2000 m

### Standards and specifications

Standards/specifications	EN 61810-1 EN 61373 VDE UR
--------------------------	-------------------------------------

### Commercial data

Product Group	6 (INTERFACE ELECTRONIC)
eCl@ss 10.0	27-37-16-01
eCl@ss 9.0	27-37-16-01
ETIM 8.0	EC001437
ETIM 7.0	EC001437
PU (SPU)	20 pcs
Packaging type	Box
Country of origin	CZ
GTIN	4045454551025
Customs tariff number	85364900990

### Environmental Product Compliance

RoHS Compliance Status Compliant, No Exemption

### Approvals / Certificates

#### General approvals



Approval	Standard	Certificate Name
UL Underwriters Laboratories Inc.	UL 508	E340707

### Downloads

#### Environmental Product Compliance

Compliance Search
Environmental Product Compliance 857-155 <span style="float: right;">↓</span>

### Documentation

Bid Text			
857-155	19.02.2019	xml 4.41 KB	↓
857-155	29.11.2018	doc 26.50 KB	↓

### CAD/CAE-Data

CAD data
2D/3D Models 857-155 <span style="float: right;">↓</span>

CAE data
EPLAN Data Portal 857-155 <span style="float: right;">↓</span>
WSCAD Universe 857-155 <span style="float: right;">↓</span>
ZUKEN Portal 857-155 <span style="float: right;">↓</span>

### Installation Notes

Installation



Removing a relay via ejector.