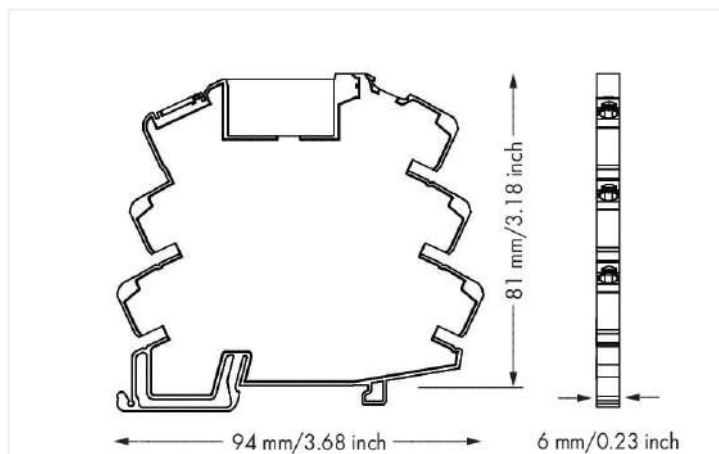
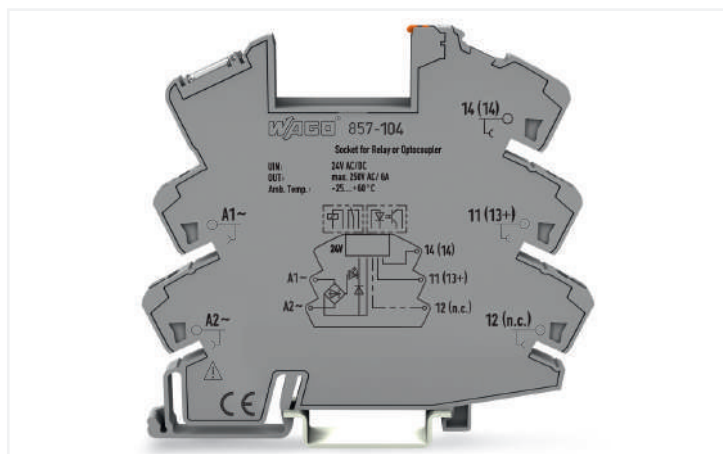


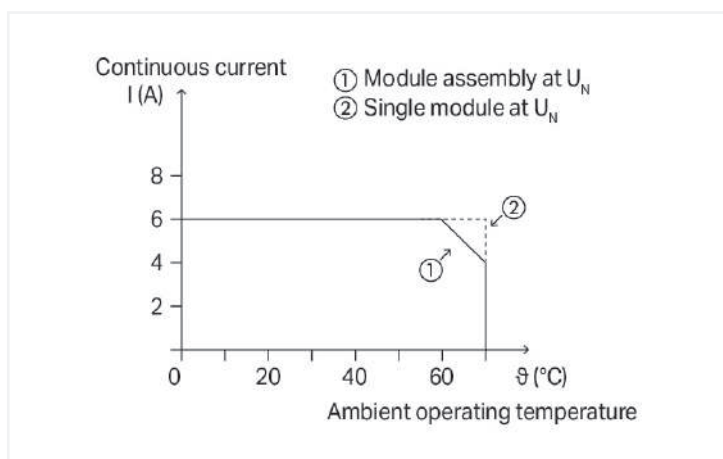
Data Sheet | Item Number: 857-104

Relay socket; Nominal input voltage: 24 V AC/DC; for 5 mm basic relays; Yellow status indicator

<https://www.wago.com/857-104>



Dimensions in mm



Current-carrying capacity curve

Notes

Note The relay/SSR used influences the electrical properties of the module.

Technical data

Control circuit

Nominal input voltage U_N AC/DC 24 V

Load circuit

Limiting continuous current 6 A

Switching voltage (max.) AC 250 V

Signaling

Status indicator Yellow LED

Safety and protection

Rated voltage	300 V
Rated surge voltage	4 kV
Type of circuits	Mains circuits
Overvoltage category	III
Pollution degree	2
Dielectric strength (control/load circuit) (AC, 1 min)	3.51 kVrms
Dielectric strength (open contact) (AC, 1 min)	1 kVrms
Insulation type (control/load circuit)	Reinforced insulation (safe isolation)
Insulation type (between adjacent devices of the same type)	Reinforced insulation (safe isolation)
Protection type	IP20

Connection data

Connection technology	Push-in CAGE CLAMP®
Solid conductor	0.34 ... 2.5 mm ² / 22 ... 14 AWG
Fine-stranded conductor	0.34 ... 2.5 mm ² / 22 ... 14 AWG
Fine-stranded conductor; with insulated ferrule	0.34 ... 1.5 mm ² / 22 ... 16 AWG
Strip length	9 ... 10 mm / 0.35 ... 0.39 inches

Physical data

Width	6 mm / 0.236 inches
Height	94 mm / 3.701 inches
Depth from upper-edge of DIN-rail	81 mm / 3.189 inches

Mechanical data

Mounting type	DIN-35 rail
Mounting position	horizontal (standing/lying); vertical

Material data

Fire load	0.552 MJ
Weight	26.3 g

Environmental requirements

Ambient temperature (operation at U _N)	-40 ... +70 °C
Ambient temperature (storage)	-40 ... +70 °C
Processing temperature	-25 ... +50 °C
Temperature range of connection cable	≥ (T _{ambient} + 30 K)
Relative humidity	5 ... 85 % (no condensation permissible)
Operating altitude (max.)	2000 m

Standards and specifications

Standards/specifications	EN 61010-2-201 UR
--------------------------	----------------------

Commercial data

Product Group	6 (INTERFACE ELECTRONIC)
eCl@ss 10.0	27-37-16-03
eCl@ss 9.0	27-37-16-03
ETIM 8.0	EC001456
ETIM 7.0	EC001456
PU (SPU)	25 (1) pcs
Packaging type	Box
Country of origin	CN
GTIN	4055143093729
Customs tariff number	85366990990

Environmental Product Compliance

CAS-No.	7439-92-1 79-94-7
REACH Candidate List Substance	2,2',6,6'-tetrabromo-4,4'-isopropylidenediphenol Lead
RoHS Compliance Status	Compliant,With Exemption
RoHS Exemption	6(c) 7(a) 7(c)-I 7(c)-II
SCIP notification number (Bulgaria)	824c20c8-8ea8-4912-bf31-2cc749605a4f
SCIP notification number (Czech Republic)	f3d3e59b-5766-4f2d-8a38-51eb0818ead9

Approvals / Certificates

General approvals			Declarations of conformity and manufacturer's declarations		
Approval	Standard	Certificate Name	Approval	Standard	Certificate Name
EAC Brjansker Zertifizierungs- stelle	TP TC 004/2011	EAC RU C-DE.AM02. B.00122/19	EU-Declaration of Confor- mity WAGO GmbH & Co. KG	-	-
UL Underwriters Laboratories Inc. (ORDINARY LOCATI- ONS)	UL 508	E175199 Vol.2 Sec.1	UK-Declaration of Confor- mity WAGO GmbH & Co. KG	-	-

Downloads

Environmental Product Compliance

Compliance Search	
Environmental Product Compliance 857-104	↓

Documentation

Bid Text			
857-104	29.11.2018	doc 23.50 KB	↓
857-104	19.02.2019	xml 3.07 KB	↓

CAD/CAE-Data	
CAD data	CAE data
2D/3D Models 857-104 ↓	EPLAN Data Portal 857-104 ↓
	WSCAD Universe 857-104 ↓
	ZUKEN Portal 857-104 ↓

1 Compatible Products

1.1 Optional Accessories

1.1.1 Basic relay

1.1.1.1 Basic relay



Item No.: 857-152

Basic relay; Nominal input voltage: 24 VDC; 1 changeover contact; Limiting continuous current: 6 A; Module width: 5 mm; Module height: 15 mm

Item No.: 857-153

Basic relay; Nominal input voltage: 24 VDC; 1 changeover contact; Limiting continuous current: 6 A; with gold contacts; Module width: 5 mm; Module height: 15 mm

1.1.1.2 Basic solid-state relay



Item No.: 857-161

Basic solid-state relay; Nominal input voltage: 24 VDC; Output voltage range: 0 ... 30 VDC; Limiting continuous current: 3 A

Item No.: 857-164

Basic solid-state relay; Nominal input voltage: 24 VDC; Output voltage range: 0 ... 48 VDC

Item No.: 857-167

Basic solid-state relay; Nominal input voltage: 24 VDC; Output voltage range: 24 ... 240 VAC; Limiting continuous current: 2 A

1.1.2 Ferrule

1.1.2.1 Ferrule



Item No.: 216-241

Ferrule; Sleeve for 0.5 mm² / 20 AWG; insulated; electro-tin plated; electrolytic copper; gastight crimped; acc. to DIN 46228, Part 4/09.90; white

Item No.: 216-242

Ferrule; Sleeve for 0.75 mm² / 18 AWG; insulated; electro-tin plated; electrolytic copper; gastight crimped; acc. to DIN 46228, Part 4/09.90; gray

Item No.: 216-243

Ferrule; Sleeve for 1 mm² / AWG 18; insulated; electro-tin plated; electrolytic copper; gastight crimped; acc. to DIN 46228, Part 4/09.90; red

Item No.: 216-244

Ferrule; Sleeve for 1.5 mm² / AWG 16; insulated; electro-tin plated; electrolytic copper; gastight crimped; acc. to DIN 46228, Part 4/09.90; black

1.1.3 Jumper

1.1.3.1 Jumper

Item No.: 281-482 Jumper; 2-way; insulated; gray	Item No.: 859-410/000-006 Jumper; for jumper slot; 10-way; insulated; blue	Item No.: 859-410 Jumper; for jumper slot; 10-way; insulated; light gray	Item No.: 859-410/000-005 Jumper; for jumper slot; 10-way; insulated; red
Item No.: 859-410/000-029 Jumper; for jumper slot; 10-way; insulated; yellow	Item No.: 859-402/000-006 Jumper; for jumper slot; 2-way; insulated; blue	Item No.: 859-402 Jumper; for jumper slot; 2-way; insulated; light gray	Item No.: 859-402/000-005 Jumper; for jumper slot; 2-way; insulated; red
Item No.: 859-402/000-029 Jumper; for jumper slot; 2-way; insulated; yellow	Item No.: 859-403/000-006 Jumper; for jumper slot; 3-way; insulated; blue	Item No.: 859-403 Jumper; for jumper slot; 3-way; insulated; light gray	Item No.: 859-403/000-005 Jumper; for jumper slot; 3-way; insulated; red
Item No.: 859-403/000-029 Jumper; for jumper slot; 3-way; insulated; yellow	Item No.: 859-404/000-006 Jumper; for jumper slot; 4-way; insulated; blue	Item No.: 859-404 Jumper; for jumper slot; 4-way; insulated; light gray	Item No.: 859-404/000-005 Jumper; for jumper slot; 4-way; insulated; red
Item No.: 859-404/000-029 Jumper; for jumper slot; 4-way; insulated; yellow	Item No.: 859-405/000-006 Jumper; for jumper slot; 5-way; insulated; blue	Item No.: 859-405 Jumper; for jumper slot; 5-way; insulated; light gray	Item No.: 859-405/000-005 Jumper; for jumper slot; 5-way; insulated; red
Item No.: 859-405/000-029 Jumper; for jumper slot; 5-way; insulated; yellow	Item No.: 859-406/000-006 Jumper; for jumper slot; 6-way; insulated; blue	Item No.: 859-406 Jumper; for jumper slot; 6-way; insulated; light gray	Item No.: 859-406/000-005 Jumper; for jumper slot; 6-way; insulated; red
Item No.: 859-406/000-029 Jumper; for jumper slot; 6-way; insulated; signal yellow	Item No.: 859-407/000-006 Jumper; for jumper slot; 7-way; insulated; blue	Item No.: 859-407 Jumper; for jumper slot; 7-way; insulated; light gray	Item No.: 859-407/000-005 Jumper; for jumper slot; 7-way; insulated; red
Item No.: 859-407/000-029 Jumper; for jumper slot; 7-way; insulated; yellow	Item No.: 859-408/000-006 Jumper; for jumper slot; 8-way; insulated; blue	Item No.: 859-408 Jumper; for jumper slot; 8-way; insulated; light gray	Item No.: 859-408/000-005 Jumper; for jumper slot; 8-way; insulated; red
Item No.: 859-408/000-029 Jumper; for jumper slot; 8-way; insulated; yellow	Item No.: 859-409/000-006 Jumper; for jumper slot; 9-way; insulated; blue	Item No.: 859-409 Jumper; for jumper slot; 9-way; insulated; light gray	Item No.: 859-409/000-005 Jumper; for jumper slot; 9-way; insulated; red
Item No.: 859-409/000-029 Jumper; for jumper slot; 9-way; insulated; yellow			

1.1.4 Marking

1.1.4.1 Double marker carrier

Item No.: 209-128 Adaptor; gray

1.1.4.2 Group marker carrier



Item No.: 249-105

Group marker carrier; gray

1.1.4.3 Marker



Item No.: 209-183

Marker; white



Item No.: 793-5501

WMB marking card; as card; for terminal block width 5 - 17.5 mm; stretchable 5 - 5.2 mm; plain; snap-on type; white



Item No.: 793-502

WMB marking card; as card; MARKED; 1 ... 10 (10x); not stretchable; Horizontal marking; snap-on type; white



Item No.: 793-566

WMB marking card; as card; MARKED; 1 ... 50 (2x); not stretchable; Horizontal marking; snap-on type; white



Item No.: 793-503

WMB marking card; as card; MARKED; 11 ... 20 (10x); not stretchable; Horizontal marking; snap-on type; white



Item No.: 793-504

WMB marking card; as card; MARKED; 21 ... 30 (10x); not stretchable; Horizontal marking; snap-on type; white



Item No.: 793-505

WMB marking card; as card; MARKED; 31 ... 40 (10x); not stretchable; Horizontal marking; snap-on type; white



Item No.: 793-506

WMB marking card; as card; MARKED; 41 ... 50 (10x); not stretchable; Horizontal marking; snap-on type; white



Item No.: 793-501

WMB marking card; as card; not stretchable; plain; snap-on type; white



Item No.: 2009-115

WMB-Inline; for Smart Printer; 1500 pieces on roll; stretchable 5 - 5.2 mm; plain; snap-on type; white

1.1.4.4 Marking devices



Item No.: 210-110

Fiber-tip pen

1.1.4.5 Marking strip



Item No.: 2009-110

Marking strips; for Smart Printer; on reel; not stretchable; plain; snap-on type; white

1.1.4.6 Protective marker cover



Item No.: 209-184

Protection cover; transparent

1.1.5 Tool

1.1.5.1 Operating tool



Item No.: 210-720

Operating tool; Blade: 3.5 x 0.5 mm; with a partially insulated shaft; multicoloured