

Data Sheet | Item Number: 788-169

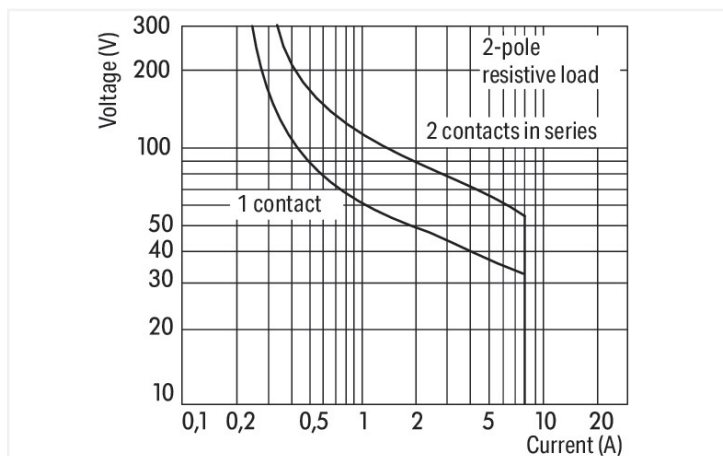
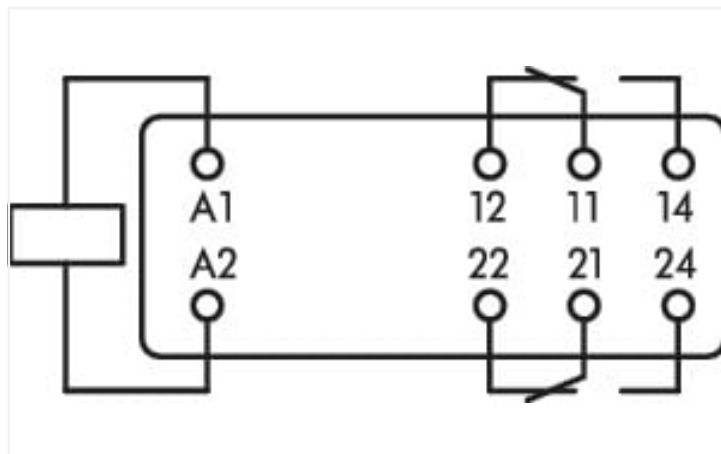
Basic relay; Nominal input voltage: 110 VDC; 1 changeover contact; Limiting continuous current: 16 A; with gold contacts; Module width: 13 mm



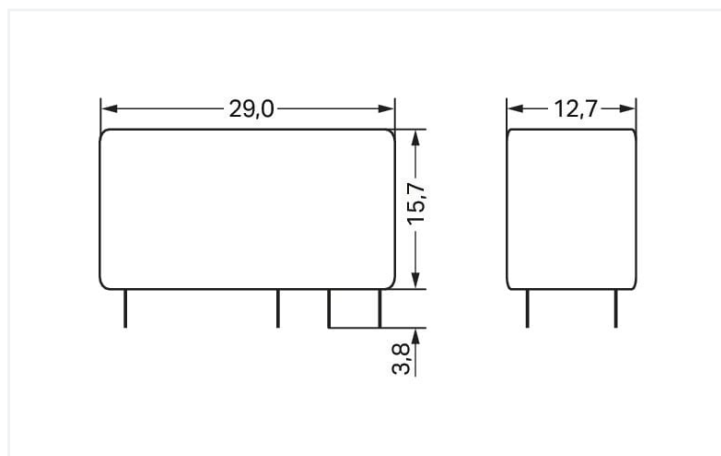
<https://www.wago.com/788-169>



Similar to illustration



DC load limit curve



Dimensions in mm

Notes

Note

To prevent damaging the gold layer, 30 VDC switching voltages and 50 mA currents must not be exceeded. Higher switching power eventually evaporates the gold layer. The resulting deposits in the housing may reduce service life.

Technical data

Control circuit

Nominal input voltage U_N	DC 110 V
Nominal input current at U_N	5 mA

Load circuit

Number of changeover/switchover contacts	2
Contact material (relay)	AgNi + Au
Limiting continuous current	8 A
Switching voltage (max.)	AC 250 V
Switching power (resistive) max.	AC 4000 VA; DC (see load limit curve)
Switching capacity	AC-15: 6 A / AC 250 V; DC-13: 2 A / DC 24 V
Recommended minimum load	5 V / 2 mA / 50 mW
Pull-in time (typ.)	7 ms
Drop-out time (typ.)	3 ms
Electrical life (NO; resistive load; 23 °C)	30 x 10 ⁹ switching operations
Mechanical life	30 x 10 ⁶ switching operations

Safety and protection

Dielectric strength (control/load circuit) (AC, 1 min)	5 kVrms
Dielectric strength (open contact) (AC, 1 min)	1 kVrms

Physical data

Width	12.7 mm / 0.5 inches
Height from the surface	15.7 mm / 0.618 inches
Depth	29 mm / 1.142 inches

Mechanical data

Mounting type	Pluggable module
---------------	------------------

Material data

Fire load	0 MJ
Weight	13 g

Environmental requirements

Ambient temperature (operation at U_N)	-40 ... +85 °C
Ambient temperature (storage)	-40 ... +85 °C

Standards and specifications

Standards/specifications	EN 61810-1
--------------------------	------------

Commercial data

ETIM 8.0	EC001437
ETIM 7.0	EC001437
PU (SPU)	20 pcs
Packaging type	Box
Country of origin	PL
GTIN	4055143693196
Customs tariff number	85364900990

Environmental Product Compliance

RoHS Compliance Status	Compliant, No Exemption
------------------------	-------------------------

Downloads

Documentation

Additional Information

788-169	24.08.2020	docx 14.11 KB	↓
788-169	24.08.2020	xml 4.58 KB	↓

1 Compatible Products

1.1 Optional Accessories

1.1.1 Socket

1.1.1.1 Socket without relay



Item No.: [788-100](#)

Relay socket; 1 changeover contact; for 15 mm basic relays; gray