

## Data Sheet | Item Number: 788-154

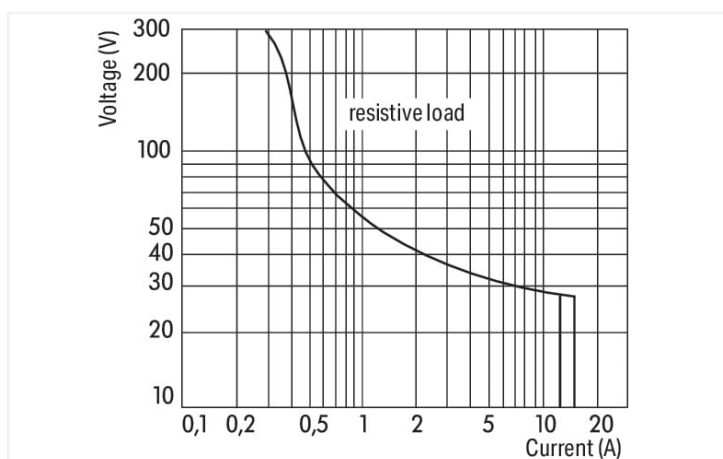
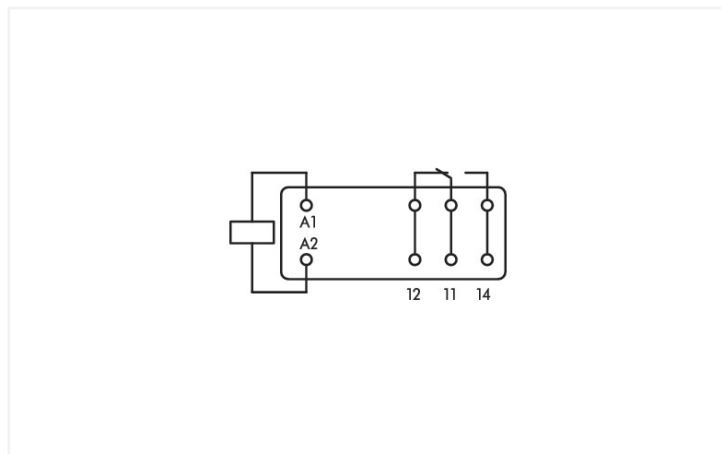
Basic relay; Nominal input voltage: 24 VDC; 1 changeover contact; Limiting continuous current: 16 A; Module width: 13 mm; Module height: 15 mm



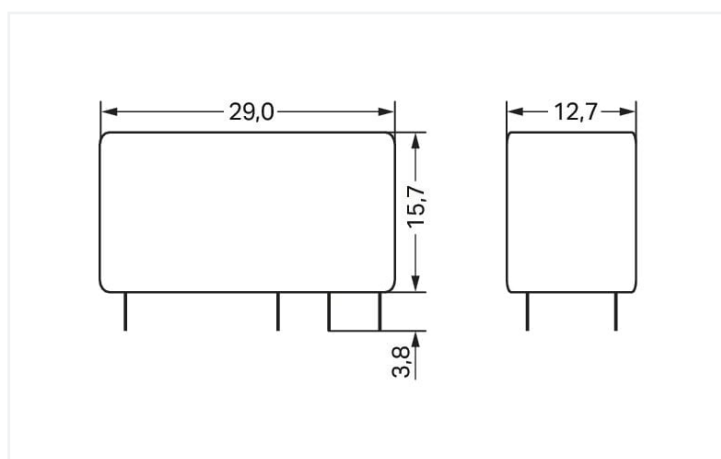
<https://www.wago.com/788-154>



Similar to illustration



DC load limit curve



Dimensions in mm

### Technical data

#### Control circuit

Nominal input voltage $U_N$	DC 24 V
Nominal input current at $U_N$	17 mA

#### Load circuit

Number of changeover/switchover contacts	1
Contact material (relay)	AgNi 90/10
Limiting continuous current	16 A
Inrush current (resistive) max.	(AC) 30 A / 4 s
Switching voltage (max.)	AC 250 V
Switching power (resistive) max.	AC 4000 VA; DC (see load limit curve)
Switching capacity	AC-15: 6 A / AC 250 V; DC-13: 2 A / DC 24 V
Recommended minimum load	12 V / 10 mA
Pull-in time (typ.)	8 ms
Drop-out time (typ.)	6 ms
Bounce time (typ.)	6 ms
Electrical life (NO; resistive load; 23 °C)	30 x 10 <sup>3</sup> switching operations
Mechanical life	30 x 10 <sup>6</sup> switching operations
Switching frequency with/without load (max.)	6 min <sup>-1</sup> / 1200 min <sup>-1</sup>

### Safety and protection

Dielectric strength (control/load circuit) (AC, 1 min)	5 kVrms
Dielectric strength (open contact) (AC, 1 min)	1 kVrms

### Physical data

Width	12.7 mm / 0.5 inches
Height from the surface	15.7 mm / 0.618 inches
Depth	29 mm / 1.142 inches

### Mechanical data

Mounting type	Pluggable module
---------------	------------------

### Material data

Fire load	0.25 MJ
Weight	14 g

### Environmental requirements

Ambient temperature (operation at $U_N$ )	-40 ... +85 °C
Ambient temperature (storage)	-40 ... +85 °C

### Standards and specifications

Standards/specifications	EN 61810-1
--------------------------	------------

### Commercial data

Product Group	6 (INTERFACE ELECTRONIC)
eCl@ss 10.0	27-37-16-01
eCl@ss 9.0	27-37-16-01
ETIM 8.0	EC001437
ETIM 7.0	EC001437
PU (SPU)	20 (1) pcs
Packaging type	Box
Country of origin	AT
GTIN	4045454396633
Customs tariff number	85364900990

### Environmental Product Compliance

RoHS Compliance Status	Compliant, No Exemption
------------------------	-------------------------

### Downloads

### Environmental Product Compliance



## Compliance Search

Environmental Product  
Compliance 788-154



## Documentation

### Bid Text

788-154	19.02.2019	xml 3.49 KB	
788-154	20.02.2019	docx 15.23 KB	

## CAD/CAE-Data

### CAE data

WSCAD Universe  
788-154



## 1 Compatible Products

### 1.1 Optional Accessories

#### 1.1.1 Socket

##### 1.1.1.1 Socket without relay



#### Item No.: [788-100](#)

Relay socket; 1 changeover contact; for 15 mm basic relays; gray