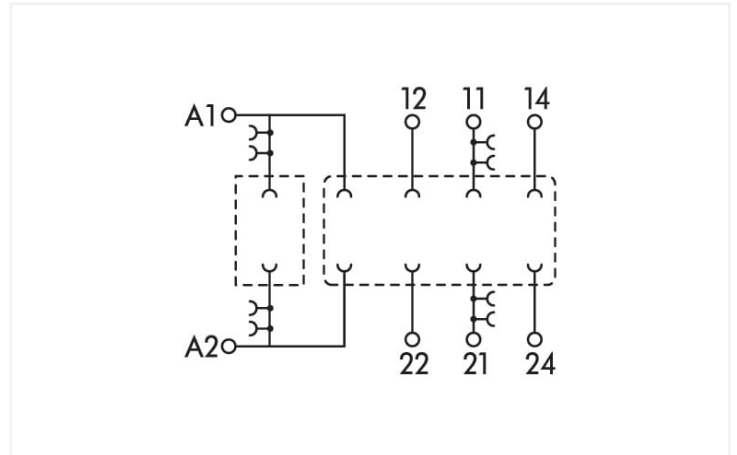
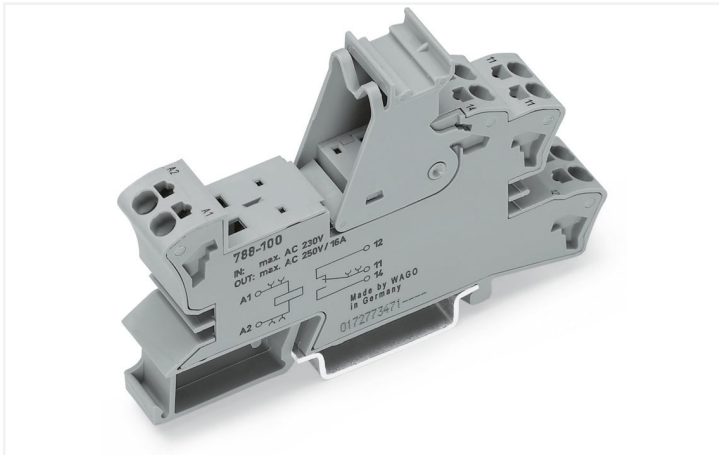


# Data Sheet | Item Number: 788-109

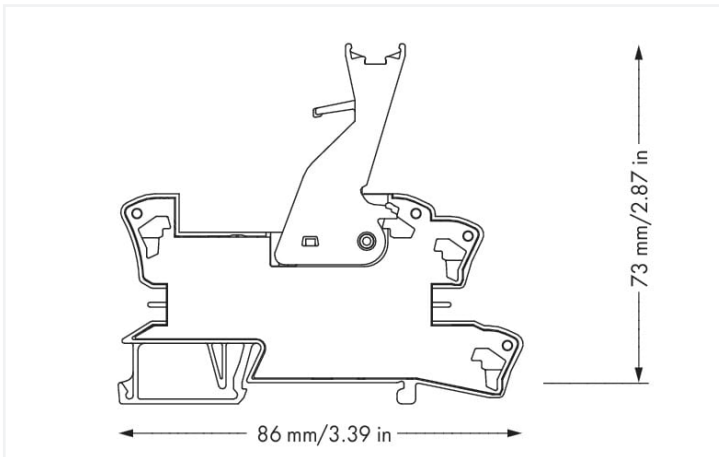
Relay socket; 2 changeover contacts; with manual operation; for 25 mm basic relays



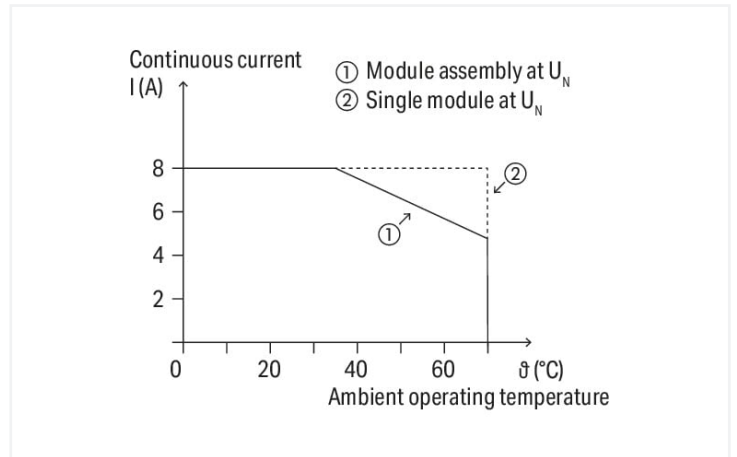
<https://www.wago.com/788-109>



Similar to illustration



Dimensions in mm



Current-carrying capacity curve

## Notes

Note The specified technical data are maximum values. They may be limited by the accessories used.

## Technical data

### Control circuit

Nominal input voltage $U_N$	AC/DC 230 V
Input voltage range	AC/DC 0 ... 250 V
Nominal frequency range	50 ... 60 Hz

### Load circuit

Number of changeover/switchover contacts	2
Limiting continuous current	8 A
Switching voltage (max.)	AC 300 V
Nominal frequency range	≤60 Hz

### Safety and protection

Rated voltage	300 V
Overvoltage category	II
Pollution degree	3
Dielectric strength (control/load circuit) (AC, 1 min)	3.6 kVrms
Dielectric strength (open contact) (AC, 1 min)	1 kVrms
Insulation type (control/load circuit)	Reinforced insulation (safe isolation)
Insulation type (load/load circuit)	Basic insulation
Insulation type (between adjacent devices of the same type)	Basic insulation
Protection type	IP20

### Connection data

Connection technology	Push-in CAGE CLAMP®
Solid conductor	0.34 ... 2.5 mm <sup>2</sup> / 22 ... 14 AWG
Fine-stranded conductor	0.34 ... 2.5 mm <sup>2</sup> / 22 ... 14 AWG
Strip length	9 ... 10 mm / 0.35 ... 0.39 inches

### Physical data

Width	15 mm / 0.591 inches
Height	86 mm / 3.386 inches
Depth from upper-edge of DIN-rail	73 mm / 2.874 inches

### Mechanical data

Mounting type	DIN-35 rail
---------------	-------------

### Material data

Fire load	0.669 MJ
Weight	32.1 g
Relative temperature index for plastic (RTI acc. to UL)	105 °C

### Environmental requirements

Ambient temperature (operation at U <sub>N</sub> )	-40 ... +70 °C
Ambient temperature (storage)	-40 ... +80 °C
Processing temperature	-25 ... +50 °C
Temperature range of connection cable	≥ (T <sub>ambient</sub> + 20 K)
Relative humidity	5 ... 95 % (no condensation permissible)
Operating altitude (max.)	2000 m

### Standards and specifications

Standards/specifications	EN 61010-2-201
--------------------------	----------------

### Commercial data

Product Group	6 (INTERFACE ELECTRONIC)
eCl@ss 10.0	27-37-16-03
eCl@ss 9.0	27-37-16-03
ETIM 8.0	EC001456
ETIM 7.0	EC001456
PU (SPU)	15 (1) pcs
Packaging type	Box
Country of origin	DE
GTIN	4045454931049
Customs tariff number	85366990990

### Environmental Product Compliance

RoHS Compliance Status	Compliant, No Exemption
------------------------	-------------------------

### Approvals / Certificates

#### Declarations of conformity and manufacturer's declarations

Approval	Standard	Certificate Name
EU-Declaration of Conformity WAGO GmbH & Co. KG	-	-
UK-Declaration of Conformity WAGO GmbH & Co. KG	-	-

### Downloads

#### Environmental Product Compliance

##### Compliance Search

Environmental Product  
Compliance 788-109



### Documentation


#### Instruction Leaflet

Sockets with Elementary Relay/ SSR V 1.0.1  
09.10.2020 pdf  
2271.22 KB



### CAD/CAE-Data

CAD data

2D/3D Models 788-109 

## 1 Compatible Products

### 1.1 Optional Accessories

#### 1.1.1 Basic relay

##### 1.1.1.1 Basic relay

**Item No.: 788-936**  
 Basic relay; Nominal input voltage: 24 VDC; 2 changeover contacts; Limiting continuous current: 8 A; with manual operation; Module width: 13 mm

#### 1.1.2 Ferrule

##### 1.1.2.1 Ferrule



**Item No.: 216-241**  
 Ferrule; Sleeve for 0.5 mm<sup>2</sup> / 20 AWG; insulated; electro-tin plated; electrolytic copper; gastight crimped; acc. to DIN 46228, Part 4/09.90; white



**Item No.: 216-242**  
 Ferrule; Sleeve for 0.75 mm<sup>2</sup> / 18 AWG; insulated; electro-tin plated; electrolytic copper; gastight crimped; acc. to DIN 46228, Part 4/09.90; gray



**Item No.: 216-243**  
 Ferrule; Sleeve for 1 mm<sup>2</sup> / AWG 18; insulated; electro-tin plated; electrolytic copper; gastight crimped; acc. to DIN 46228, Part 4/09.90; red



**Item No.: 216-244**  
 Ferrule; Sleeve for 1.5 mm<sup>2</sup> / AWG 16; insulated; electro-tin plated; electrolytic copper; gastight crimped; acc. to DIN 46228, Part 4/09.90; black

**Item No.: 216-542**  
 Twin ferrule; Sleeve for 2 x 1 mm<sup>2</sup> / AWG 2 x 18; red, insulated; 12 mm long; red

#### 1.1.3 Filter module

##### 1.1.3.1 Suppressor module



**Item No.: 788-148**  
 Filter module; RC filter element; Nominal voltage: 230 VAC

#### 1.1.4 Indicators

1.1.4.1 Status indication



**Item No.: 788-124**  
Accessories for relay modules; Operation status indicator: red

**Item No.: 788-125**  
Accessories for relay modules; Operation status indicator: red

**Item No.: 788-121**  
Accessories for relay modules; Operation status indicator: red; Nominal operating voltage range: 48 ... 60 VDC

**Item No.: 788-122**  
Accessories for relay modules; Operation status indicator: red; Nominal operating voltage: 110 VDC



**Item No.: 788-123**  
Accessories for relay modules; Operation status indicator: red; Nominal operating voltage: 24 VAC

**Item No.: 788-120**  
Accessories for relay modules; Operation status indicator: red; Nominal operating voltage: 24 VDC

1.1.5 Jumper

1.1.5.1 Jumper



**Item No.: 788-118**  
Jumper; for jumper slot; 2-way; from 1 to 3; insulated; light gray

**Item No.: 788-113**  
Jumper; for jumper slot; 2-way; insulated; light gray

**Item No.: 859-402**  
Jumper; for jumper slot; 2-way; insulated; light gray

**Item No.: 788-114**  
Jumper; for jumper slot; 3-way; insulated; light gray



**Item No.: 788-115**  
Jumper; for jumper slot; 4-way; insulated; light gray

**Item No.: 788-116**  
Jumper; for jumper slot; 6-way; insulated; light gray

**Item No.: 788-117**  
Jumper; for jumper slot; 8-way; insulated; light gray

1.1.6 Marking

1.1.6.1 Double marker carrier



**Item No.: 209-128**  
Adaptor; gray

1.1.6.2 Group marker carrier



**Item No.: 249-105**  
Group marker carrier; gray

**Item No.: 209-145**  
Group marker carrier; white

1.1.6.3 Marker



**Item No.: 209-183**  
Marker; white

**Item No.: 793-502**  
WMB marking card; as card; MARKED; 1 ... 10 (10x); not stretchable; Horizontal marking; snap-on type; white

**Item No.: 793-503**  
WMB marking card; as card; MARKED; 11 ... 20 (10x); not stretchable; Horizontal marking; snap-on type; white

**Item No.: 793-504**  
WMB marking card; as card; MARKED; 21 ... 30 (10x); not stretchable; Horizontal marking; snap-on type; white



**Item No.: 793-505**  
WMB marking card; as card; MARKED; 31 ... 40 (10x); not stretchable; Horizontal marking; snap-on type; white

**Item No.: 793-501**  
WMB marking card; as card; not stretchable; plain; snap-on type; white

**Item No.: 2009-115**  
WMB-Inline; for Smart Printer; 1500 pieces on roll; stretchable 5 - 5.2 mm; plain; snap-on type; white

#### 1.1.6.4 Marking devices



**Item No.: 210-110**

Fiber-tip pen

#### 1.1.6.5 Marking strip



**Item No.: 2009-110**

Marking strips; for Smart Printer; on reel;  
not stretchable; plain; snap-on type; white

#### 1.1.6.6 Protective marker cover



**Item No.: 209-184**

Protection cover; transparent

#### 1.1.7 Tool

##### 1.1.7.1 Operating tool



**Item No.: 210-720**

Operating tool; Blade: 3.5 x 0.5 mm; with a  
partially insulated shaft; multicoloured