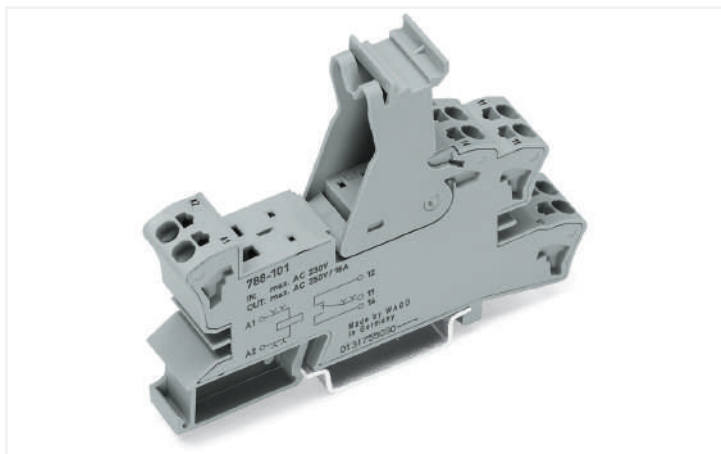


Data Sheet | Item Number: 788-103

Relay socket; 2 changeover contacts; for 25 mm basic relays; gray

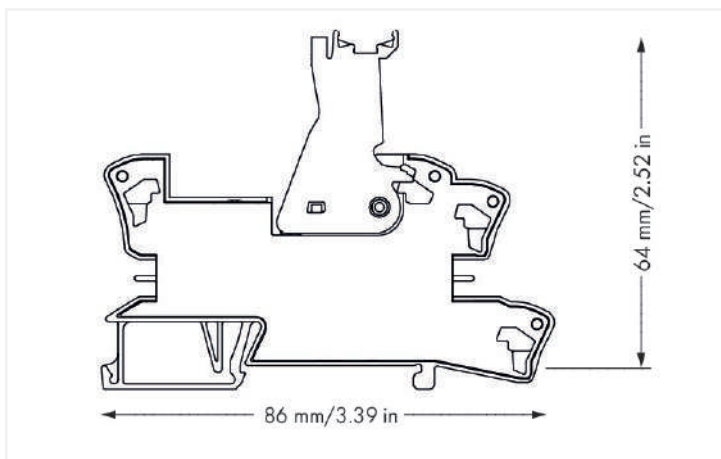
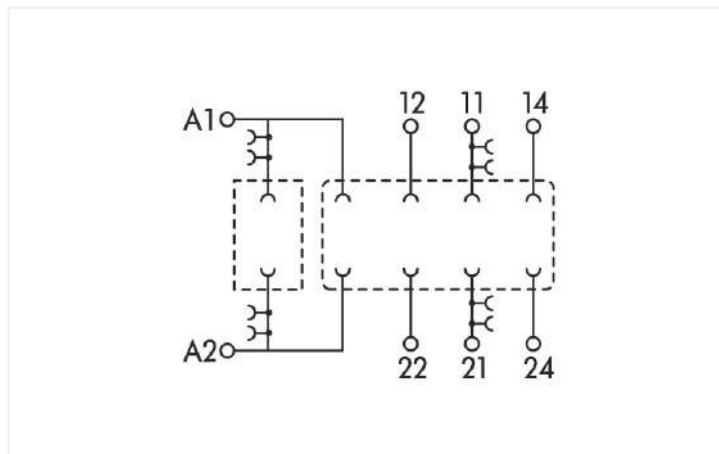


<https://www.wago.com/788-103>

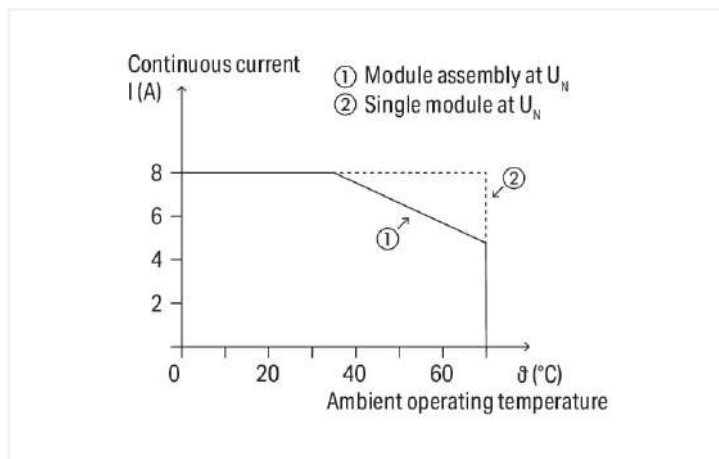


Color: ■ gray

Similar to illustration



Dimensions in mm



Current-carrying capacity curve

Notes

Note

The specified technical data are maximum values. They may be limited by the accessories used.

Technical data

Control circuit

Nominal input voltage U_N	AC/DC 230 V
Input voltage range	AC/DC 0 ... 250 V
Nominal frequency range	50 ... 60 Hz

Load circuit

Number of changeover/switchover contacts	2
Limiting continuous current	8 A
Switching voltage (max.)	AC 300 V
Nominal frequency range	≤60 Hz

Safety and protection

Rated voltage	300 V
Overvoltage category	II
Pollution degree	3
Dielectric strength (control/load circuit) (AC, 1 min)	3.6 kVrms
Dielectric strength (open contact) (AC, 1 min)	1 kVrms
Insulation type (control/load circuit)	Reinforced insulation (safe isolation)
Insulation type (load/load circuit)	Basic insulation
Insulation type (between adjacent devices of the same type)	Basic insulation
Protection type	IP20

Connection data

Connection technology	Push-in CAGE CLAMP®
Solid conductor	0.34 ... 2.5 mm ² / 22 ... 14 AWG
Fine-stranded conductor	0.34 ... 2.5 mm ² / 22 ... 14 AWG
Strip length	9 ... 10 mm / 0.35 ... 0.39 inches

Physical data

Width	15 mm / 0.591 inches
Height	86 mm / 3.386 inches
Depth from upper-edge of DIN-rail	64 mm / 2.52 inches

Mechanical data

Mounting type	DIN-35 rail
---------------	-------------

Material data

Color	gray
Fire load	0.636 MJ
Weight	31 g
Relative temperature index for plastic (RTI acc. to UL)	105 °C

Environmental requirements

Ambient temperature (operation at U_N)	-40 ... +70 °C
Ambient temperature (storage)	-40 ... +80 °C
Processing temperature	-25 ... +50 °C
Temperature range of connection cable	$\geq (T_{\text{ambient}} + 20 \text{ K})$
Relative humidity	5 ... 95 % (no condensation permissible)
Operating altitude (max.)	2000 m

Standards and specifications

Standards/specifications	EN 61010-2-201
--------------------------	----------------



Commercial data	
Product Group	6 (INTERFACE ELECTRONIC)
eCl@ss 10.0	27-37-16-03
eCl@ss 9.0	27-37-16-03
ETIM 8.0	EC001456
ETIM 7.0	EC001456
PU (SPU)	15 (1) pcs
Packaging type	Box
Country of origin	CN
GTIN	4050821591801
Customs tariff number	85366990990

Environmental Product Compliance	
RoHS Compliance Status	Compliant, No Exemption

Approvals / Certificates

Declarations of conformity and manufacturer's declarations

Approval	Standard	Certificate Name
EU-Declaration of Conformity WAGO GmbH & Co. KG	-	-
UK-Declaration of Conformity WAGO GmbH & Co. KG	-	-

Downloads

Environmental Product Compliance


Compliance Search	
Environmental Product Compliance 788-103	↓




Documentation

Bid Text			
788-103	19.02.2019	xml 3.61 KB	↓
788-103	20.02.2019	docx 16.05 KB	↓

Instruction Leaflet			
Sockets with Elementary Relay/ SSR	V 1.0.1 09.10.2020	pdf 2271.22 KB	↓

CAD/CAE-Data

CAD data
2D/3D Models 788-103 

CAE data
EPLAN Data Portal 788-103 
WSCAD Universe 788-103 
ZUKEN Portal 788-103 

1 Compatible Products

1.1 Optional Accessories

1.1.1 Basic relay

1.1.1.1 Basic relay



Item No.: 788-181
 Basic relay; Nominal input voltage: 230 VAC; 2 changeover contacts; Limiting continuous current: 8 A; with gold contacts; Module width: 13 mm; Module height: 15 mm

1.1.2 Ferrule

1.1.2.1 Ferrule



Item No.: 216-241
 Ferrule; Sleeve for 0.5 mm² / 20 AWG; insulated; electro-tin plated; electrolytic copper; gastight crimped; acc. to DIN 46228, Part 4/09.90; white



Item No.: 216-242
 Ferrule; Sleeve for 0.75 mm² / 18 AWG; insulated; electro-tin plated; electrolytic copper; gastight crimped; acc. to DIN 46228, Part 4/09.90; gray



Item No.: 216-243
 Ferrule; Sleeve for 1 mm² / AWG 18; insulated; electro-tin plated; electrolytic copper; gastight crimped; acc. to DIN 46228, Part 4/09.90; red



Item No.: 216-244
 Ferrule; Sleeve for 1.5 mm² / AWG 16; insulated; electro-tin plated; electrolytic copper; gastight crimped; acc. to DIN 46228, Part 4/09.90; black

Item No.: 216-542
 Twin ferrule; Sleeve for 2 x 1 mm² / AWG 2 x 18; red, insulated; 12 mm long; red

1.1.3 Filter module

1.1.3.1 Suppressor module



Item No.: 788-148
 Filter module; RC filter element; Nominal voltage: 230 VAC

1.1.4 Indicators

1.1.4.1 Status indication



[Item No.: 788-124](#)

Accessories for relay modules; Operation status indicator: red

[Item No.: 788-125](#)

Accessories for relay modules; Operation status indicator: red

[Item No.: 788-121](#)

Accessories for relay modules; Operation status indicator: red; Nominal operating voltage range: 48 ... 60 VDC

[Item No.: 788-122](#)

Accessories for relay modules; Operation status indicator: red; Nominal operating voltage: 110 VDC



[Item No.: 788-123](#)

Accessories for relay modules; Operation status indicator: red; Nominal operating voltage: 24 VAC

[Item No.: 788-120](#)

Accessories for relay modules; Operation status indicator: red; Nominal operating voltage: 24 VDC

1.1.5 Jumper

1.1.5.1 Jumper



[Item No.: 788-118](#)

Jumper; for jumper slot; 2-way; from 1 to 3; insulated; light gray

[Item No.: 788-113](#)

Jumper; for jumper slot; 2-way; insulated; light gray

[Item No.: 859-402](#)

Jumper; for jumper slot; 2-way; insulated; light gray

[Item No.: 788-114](#)

Jumper; for jumper slot; 3-way; insulated; light gray



[Item No.: 788-115](#)

Jumper; for jumper slot; 4-way; insulated; light gray

[Item No.: 788-116](#)

Jumper; for jumper slot; 6-way; insulated; light gray

[Item No.: 788-117](#)

Jumper; for jumper slot; 8-way; insulated; light gray

1.1.6 Marking

1.1.6.1 Double marker carrier



[Item No.: 209-128](#)

Adaptor; gray

1.1.6.2 Group marker carrier



[Item No.: 249-105](#)

Group marker carrier; gray

[Item No.: 209-145](#)

Group marker carrier; white

1.1.6.3 Marker



[Item No.: 209-183](#)

Marker; white

[Item No.: 793-502](#)

WMB marking card; as card; MARKED; 1 ... 10 (10x); not stretchable; Horizontal marking; snap-on type; white

[Item No.: 793-503](#)

WMB marking card; as card; MARKED; 11 ... 20 (10x); not stretchable; Horizontal marking; snap-on type; white

[Item No.: 793-504](#)

WMB marking card; as card; MARKED; 21 ... 30 (10x); not stretchable; Horizontal marking; snap-on type; white



[Item No.: 793-505](#)

WMB marking card; as card; MARKED; 31 ... 40 (10x); not stretchable; Horizontal marking; snap-on type; white

[Item No.: 793-501](#)

WMB marking card; as card; not stretchable; plain; snap-on type; white

[Item No.: 2009-115](#)

WMB-Inline; for Smart Printer; 1500 pieces on roll; stretchable 5 - 5.2 mm; plain; snap-on type; white

1.1.6.4 Marking devices



Item No.: 210-110

Fiber-tip pen

1.1.6.5 Marking strip



Item No.: 2009-110

Marking strips; for Smart Printer; on reel;
not stretchable; plain; snap-on type; white

1.1.6.6 Protective marker cover



Item No.: 209-184

Protection cover; transparent

1.1.7 Tool

1.1.7.1 Operating tool



Item No.: 210-720

Operating tool; Blade: 3.5 x 0.5 mm; with a
partially insulated shaft; multicoloured