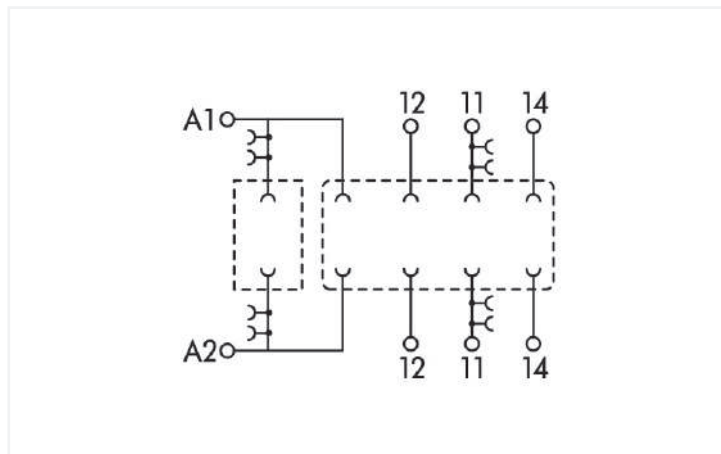
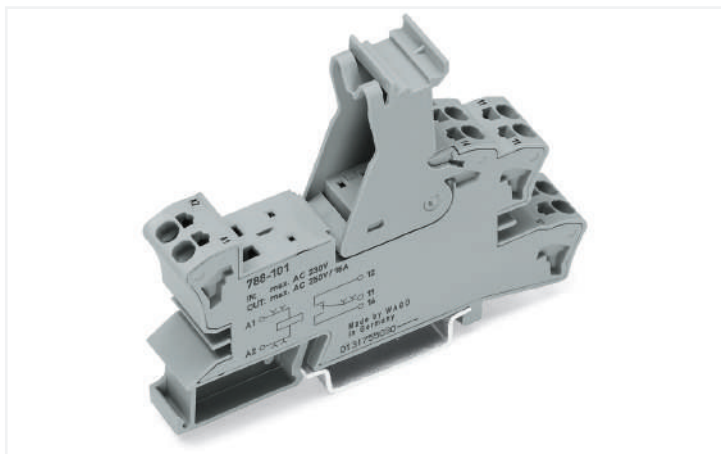


Data Sheet | Item Number: 788-101

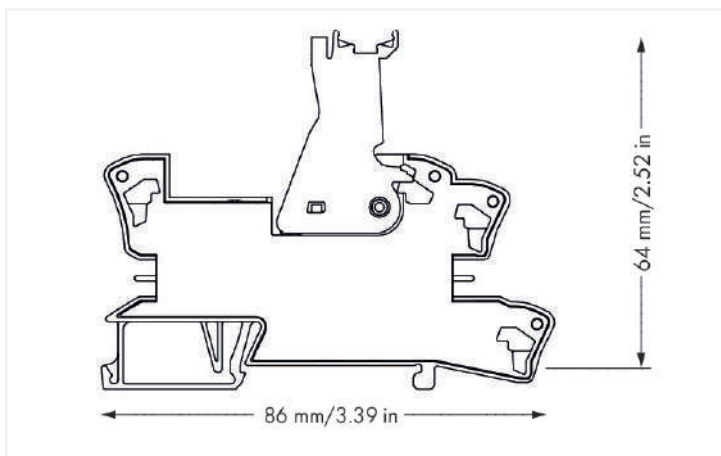
Relay socket; 1 changeover contact; for basic relays 15 mm x 25 mm; gray



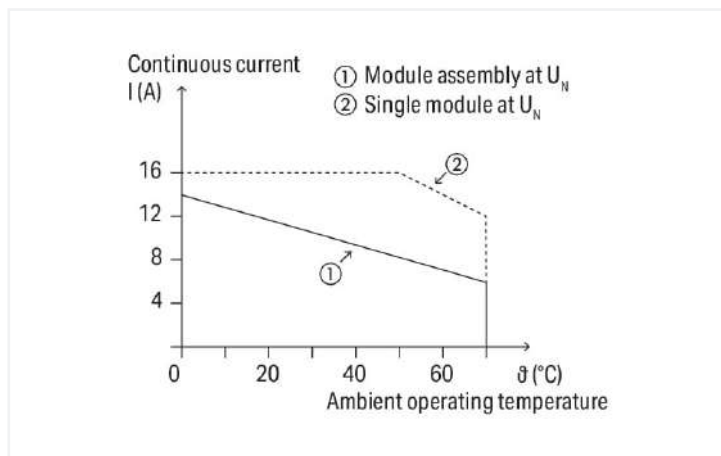
<https://www.wago.com/788-101>



Color: ■ gray



Dimensions in mm



Current-carrying capacity curve

Notes

Note

The specified technical data are maximum values. They may be limited by the accessories used.

Technical data

Control circuit

Nominal input voltage U_N	AC/DC 230 V
Input voltage range	AC/DC 0 ... 250 V
Nominal frequency range	50 ... 60 Hz

Load circuit

Number of changeover/switchover contacts	1
Limiting continuous current	16 A
Switching voltage (max.)	AC 300 V
Nominal frequency range	≤60 Hz

Safety and protection

Rated voltage	300 V
Overvoltage category	II
Pollution degree	3
Dielectric strength (control/load circuit) (AC, 1 min)	3.6 kVrms
Dielectric strength (open contact) (AC, 1 min)	1 kVrms
Insulation type (control/load circuit)	Reinforced insulation (safe isolation)
Insulation type (between adjacent devices of the same type)	Basic insulation
Protection type	IP20

Connection data

Connection technology	Push-in CAGE CLAMP®
Solid conductor	0.34 ... 2.5 mm ² / 22 ... 14 AWG
Fine-stranded conductor	0.34 ... 2.5 mm ² / 22 ... 14 AWG
Strip length	9 ... 10 mm / 0.35 ... 0.39 inches

Physical data

Width	15 mm / 0.59 inches
Height	86 mm / 3.386 inches
Depth from upper-edge of DIN-rail	64 mm / 2.52 inches

Mechanical data

Mounting type	DIN-35 rail
---------------	-------------

Material data

Color	gray
Fire load	0.636 MJ
Weight	31 g
Relative temperature index for plastic (RTI acc. to UL)	105 °C

Environmental requirements

Ambient temperature (operation at U _N)	-40 ... +70 °C
Ambient temperature (storage)	-40 ... +80 °C
Processing temperature	-25 ... +50 °C
Temperature range of connection cable	≥ (T _{ambient} + 20 K)
Relative humidity	5 ... 95 % (no condensation permissible)
Operating altitude (max.)	2000 m

Standards and specifications

Standards/specifications	EN 61010-2-201
--------------------------	----------------

Commercial data

Product Group	6 (INTERFACE ELECTRONIC)
eCl@ss 10.0	27-37-16-03
eCl@ss 9.0	27-37-16-03
ETIM 8.0	EC001456
ETIM 7.0	EC001456
PU (SPU)	15 (1) pcs
Packaging type	Box
Country of origin	CN
GTIN	4050821591771
Customs tariff number	85366990990

Environmental Product Compliance

RoHS Compliance Status	Compliant, No Exemption
------------------------	-------------------------

Approvals / Certificates

Declarations of conformity and manufacturer's declarations

Approval	Standard	Certificate Name
EU-Declaration of Conformity WAGO GmbH & Co. KG	-	-
UK-Declaration of Conformity WAGO GmbH & Co. KG	-	-

Downloads

Environmental Product Compliance



Compliance Search

Environmental Product Compliance 788-101




Documentation

Bid Text

788-101	19.02.2019	xml 3.60 KB	
788-101	20.02.2019	docx 15.98 KB	

Instruction Leaflet

Sockets with Elementary Relay/ SSR	V 1.0.1 09.10.2020	pdf 2271.22 KB	
------------------------------------	-----------------------	-------------------	---

CAD/CAE-Data

CAD data	
2D/3D Models 788-101	

CAE data	
EPLAN Data Portal 788-101	
WSCAD Universe 788-101	
ZUKEN Portal 788-101	

1 Compatible Products

1.1 Optional Accessories

1.1.1 Ferrule

1.1.1.1 Ferrule



Item No.: 216-241
 Ferrule; Sleeve for 0.5 mm² / 20 AWG; insulated; electro-tin plated; electrolytic copper; gastight crimped; acc. to DIN 46228, Part 4/09.90; white



Item No.: 216-242
 Ferrule; Sleeve for 0.75 mm² / 18 AWG; insulated; electro-tin plated; electrolytic copper; gastight crimped; acc. to DIN 46228, Part 4/09.90; gray



Item No.: 216-243
 Ferrule; Sleeve for 1 mm² / AWG 18; insulated; electro-tin plated; electrolytic copper; gastight crimped; acc. to DIN 46228, Part 4/09.90; red



Item No.: 216-244
 Ferrule; Sleeve for 1.5 mm² / AWG 16; insulated; electro-tin plated; electrolytic copper; gastight crimped; acc. to DIN 46228, Part 4/09.90; black

Item No.: 216-542
 Twin ferrule; Sleeve for 2 x 1 mm² / AWG 2 x 18; red, insulated; 12 mm long; red

1.1.2 Filter module

1.1.2.1 Suppressor module



Item No.: 788-148
 Filter module; RC filter element; Nominal voltage: 230 VAC

1.1.3 Indicators

1.1.3.1 Status indication



Item No.: 788-124
 Accessories for relay modules; Operation status indicator: red



Item No.: 788-125
 Accessories for relay modules; Operation status indicator: red



Item No.: 788-121
 Accessories for relay modules; Operation status indicator: red; Nominal operating voltage range: 48 ... 60 VDC



Item No.: 788-122
 Accessories for relay modules; Operation status indicator: red; Nominal operating voltage: 110 VDC



Item No.: 788-123
 Accessories for relay modules; Operation status indicator: red; Nominal operating voltage: 24 VAC



Item No.: 788-120
 Accessories for relay modules; Operation status indicator: red; Nominal operating voltage: 24 VDC

1.1.4 Jumper

1.1.4.1 Jumper



Item No.: 788-118
 Jumper; for jumper slot; 2-way; from 1 to 3; insulated; light gray

Item No.: 788-113
 Jumper; for jumper slot; 2-way; insulated; light gray

Item No.: 859-402
 Jumper; for jumper slot; 2-way; insulated; light gray

Item No.: 788-114
 Jumper; for jumper slot; 3-way; insulated; light gray



Item No.: 788-115
 Jumper; for jumper slot; 4-way; insulated; light gray

Item No.: 788-116
 Jumper; for jumper slot; 6-way; insulated; light gray

Item No.: 788-117
 Jumper; for jumper slot; 8-way; insulated; light gray

1.1.5 Marking

1.1.5.1 Double marker carrier



Item No.: 209-128
 Adaptor; gray

1.1.5.2 Group marker carrier



Item No.: 249-105
 Group marker carrier; gray

Item No.: 209-145
 Group marker carrier; white

1.1.5.3 Marker



Item No.: 209-183
 Marker; white

Item No.: 793-502
 WMB marking card; as card; MARKED; 1 ... 10 (10x); not stretchable; Horizontal marking; snap-on type; white

Item No.: 793-503
 WMB marking card; as card; MARKED; 11 ... 20 (10x); not stretchable; Horizontal marking; snap-on type; white

Item No.: 793-504
 WMB marking card; as card; MARKED; 21 ... 30 (10x); not stretchable; Horizontal marking; snap-on type; white



Item No.: 793-505
 WMB marking card; as card; MARKED; 31 ... 40 (10x); not stretchable; Horizontal marking; snap-on type; white

Item No.: 793-501
 WMB marking card; as card; not stretchable; plain; snap-on type; white

Item No.: 2009-115
 WMB-Inline; for Smart Printer; 1500 pieces on roll; stretchable 5 - 5.2 mm; plain; snap-on type; white

1.1.5.4 Marking devices



Item No.: 210-110
 Fiber-tip pen

1.1.5.5 Marking strip



Item No.: 2009-110
 Marking strips; for Smart Printer; on reel; not stretchable; plain; snap-on type; white

1.1.5.6 Protective marker cover



Item No.: [209-184](#)

Protection cover; transparent

1.1.6 Tool

1.1.6.1 Operating tool



Item No.: [210-720](#)

Operating tool; Blade: 3.5 x 0.5 mm; with a partially insulated shaft; multicoloured