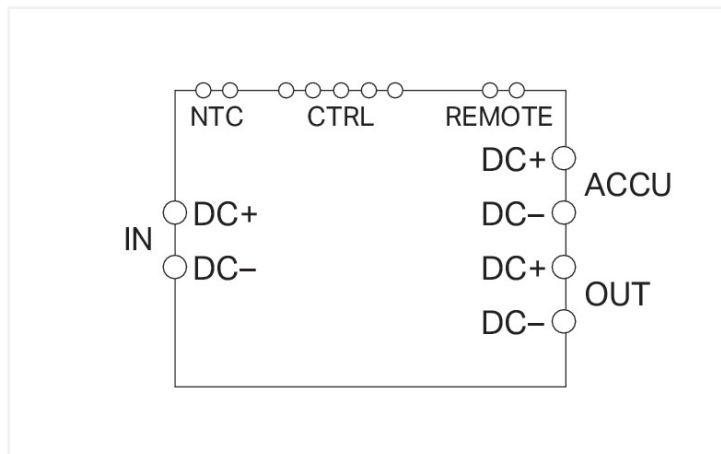


Data Sheet | Item Number: 787-915

UPS charger and controller; 24 VDC input voltage; 24 VDC output voltage; 40 A output current

<https://www.wago.com/787-915>



Features:

- DC UPS module for uninterruptible power supply (UPS)
- Potential-free contacts provide function monitoring
- Remote input for buffered output deactivation
- Input for temperature control of connected battery
- Battery internal resistance measurement for diagnosing batteries, including the connection cable and fuse

Notes

Safety information

For North America: Use only batteries with appropriate safety approvals!

Technical data

Input

Nominal input voltage $U_{i, nom}$	DC 24 V
Input voltage range	DC 22 ... 28 V
Nominal mains frequency range	0 Hz
Input current I_i	≤ 0.16 A (no load); ≤ 4 A (Charging); ≤ 44 A

Output

Nominal output voltage $U_{o, nom}$	DC 24 V
Output voltage range	U_i (rated operation); 19.5 ... 26.5 VDC (battery voltage in buffer mode)
Nominal output current $I_{o, nom}$	40 A

Energy storage system

Buffer time	load-dependent
Switch-on threshold (adjustable)	DC 21.5 ... 22.5 V
Charging current	1 ... 4 A (adjustable in 1 A steps via DIP switch; Default setting: 2 A)
End-of-charge voltage	DC 26.4 ... 29 V (temperature controlled with NTC; without temperature sensor: 27.2 VDC)
Recommended battery module	Typ: VRLA 24 V; 7 ... 40 Ah

Signaling and communication

Signaling	1 x Power LED (green) 1 x UPS LED (yellow) 1 x Warning LED (red) 2 x Isolated relay contact (max. 30 VDC; 1 A)
Operation status indicator	Green LED (operation) Yellow LED (buffer mode/charging) Red LED (warning)
Remote input	Switching buffer mode off

Efficiency/power losses

Power loss P_l	≤ 4 W; ≤ 22.5 W (nominal load)
Efficiency (typ.)	97 % (Rated operation); 85 % (Charging)

Circuit protection

Internal fuse	T 6.3 A (charging circuit)
Backup fusing (recommended)	T 50 A

Safety and protection

Isolation voltage (connectors – housing)	DC 0.5 kV
Protection class	III
Protection type	IP20; per EN 60529
Reverse voltage protection	Yes
Pollution degree	2
Parallel operation	No
Series operation	No
MTBF	600,000 h (40 °C; per SN 29500)

Connection data

Connection type 1	Input/output
Connection technology	Push-in CAGE CLAMP®
WAGO connector	WAGO 2636 Series
Solid conductor	0.75 ... 16 mm ² / 18 ... 4 AWG
Fine-stranded conductor	0.75 ... 25 mm ² / 18 ... 4 AWG
Fine-stranded conductor; with insulated ferrule	0.75 ... 16 mm ²
Fine-stranded conductor; with uninsulated ferrule	0.75 ... 16 mm ²
Strip length	18 ... 20 mm / 0.71 ... 0.79 inches
Connection type 2	Signaling
Connection technology 2	CAGE CLAMP®
WAGO connector 2	WAGO 741 Series
Solid conductor 2	0.08 ... 2.5 mm ² / 28 ... 12 AWG
Fine-stranded conductor 2	0.08 ... 2.5 mm ² / 28 ... 12 AWG
Fine-stranded conductor; with insulated ferrule 2	0.25 ... 1.5 mm ²
Fine-stranded conductor; with uninsulated ferrule 2	0.25 ... 1.5 mm ²
Strip length 2	5 ... 6 mm / 0.2 ... 0.24 inches

Physical data

Width	68 mm / 2.677 inches
Height	181 mm / 7.126 inches
Depth from upper-edge of DIN-rail	162 mm / 6.38 inches

Mechanical data

Mounting type	DIN-35 rail
---------------	-------------

Material data

Fire load	0 MJ
Weight	1100 g

Environmental requirements

Ambient temperature (operation)	0 ... +50 °C
Ambient temperature (storage)	-20 ... +55 °C
Relative humidity	5 ... 95 % (no condensation permissible)

Standards and specifications

Conformity marking	CE
Standards/specifications	EN 62368-1 EN 61000-6-2 EN 61000-6-3
Standards/specifications (pending)	CSA

Commercial data

ETIM 8.0	EC000382
ETIM 7.0	EC000382
PU (SPU)	1 pcs
Packaging type	Box
Country of origin	DE
GTIN	4066966088274
Customs tariff number	85044083900

Environmental Product Compliance

RoHS Compliance Status	Compliant, No Exemption
------------------------	-------------------------

Approvals / Certificates

General approvals



Approval	Standard	Certificate Name
CSA CSA Group	CAN/CSA-C22.2 No. 62368-1	70216154
EAC Brjansker Zertifizierungs- stelle	TP TC 020/2011	RU_C-DE.AM02. B.00093-19
EAC Brjansker Zertifizierungs- stelle	TP TC 004/2011	EAC RU C-DE.AM02. B.00089_19

Declarations of conformity and manufacturer's declarations

Approval	Standard	Certificate Name
EU-Declaration of Confor- mity WAGO GmbH & Co. KG	-	-

Downloads

Environmental Product Compliance

Compliance Search

Environmental Product
Compliance 787-915



Documentation



Bid Text			
787-915	12.07.2019	docx 21.62 KB	↓
787-915	12.07.2019	xml 7.11 KB	↓

Instruction Leaflet			
UPS charger and control module	14.12.2020	pdf 537.72 KB	↓

CAD/CAE-Data	
CAD data	CAE data
2D/3D Models 787-915 ↓	EPLAN Data Portal 787-915 ↓