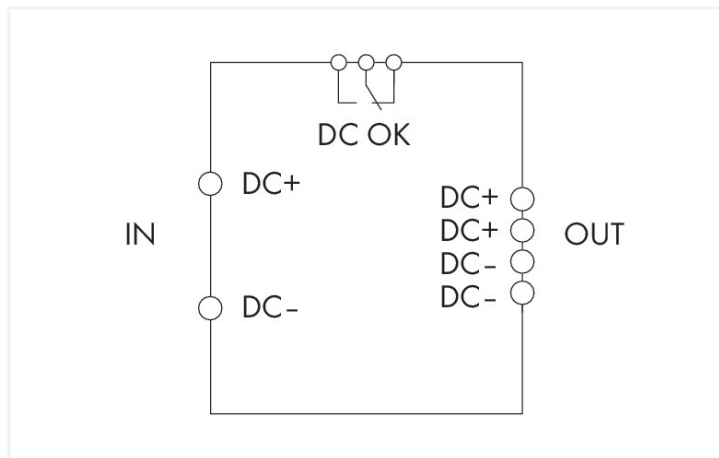


Data Sheet | Item Number: 787-881

capacitive buffer module; 24 VDC input voltage; 24 VDC output voltage; 20 A output current; 0.17 ... 16.5 s buffer time; communication capability; 10,00 mm²



<https://www.wago.com/787-881>



Features:

- Capacitive buffer module bridges short duration voltage drops or load fluctuations.
- For an uninterruptible power supply
- Internal diode between input and output enables operation with a decoupled output.
- Buffer modules can be readily parallel-connected to increase buffer time or load current.
- Potential-free contact for charge condition monitoring

Technical data

Input

Nominal input voltage $U_{i, nom}$	DC 24 V
Input voltage range	DC 20 ... 30 V
Nominal mains frequency range	0 Hz
Input current I_i	≤ 0.06 A (no load); ≤ 1 A (Charging); ≤ 22 A

Output

Nominal output voltage $U_{o, nom}$	DC 24 V
Output voltage range	$U_i - 1$ VDC (rated operation); 20.4 ... 24 VDC (buffer mode)
Nominal output current $I_{o, nom}$	20 A
Current limitation	$1.1 \times I_{o, nom}$ (typ.)

Energy storage system

Buffer time	0.17 ... 16.5 s depends on load current and switch-on threshold
Switch-on threshold (adjustable)	DC 20 ... 24 V
Charging time (typ.)	5 min

Signaling and communication

Signaling	1 x LED DC OK (green) 1 x Charge LED (yellow) 1 x DC not OK LED (red) 1 x Isolated relay contact (max. 30 VDC; 1 A)
Operation status indicator	Green LED ($U_o > 20$ V) Yellow LED (charging) Red LED ($U_o < 20$ V)

Efficiency/power losses

Power loss P_i	≤ 1.5 W; ≤ 15 W (nominal load)
------------------	--

Safety and protection

Isolation voltage (connectors – housing)	DC 0.5 kV
Protection class	III
Protection type	IP20; per EN 60529
Reverse voltage protection	Yes
Resistance to reverse feed	≤ DC 35 V
Pollution degree	2
Parallel operation	Yes
Series operation	No
MTBF	typ. 87,600 h (at 25 °C); typ. 30,500 h (at 40 °C)

Connection data

Connection type 1	Input/output
Connection technology	CAGE CLAMP®
WAGO connector	WAGO 231 Series
Solid conductor	0.5 ... 10 mm ² / 20 ... 8 AWG
Fine-stranded conductor	0.5 ... 10 mm ² / 20 ... 8 AWG
Strip length	13 ... 15 mm / 0.51 ... 0.59 inches
Connection type 2	Relay
Connection technology 2	CAGE CLAMP®
WAGO connector 2	WAGO 231 Series
Solid conductor 2	0.08 ... 2.5 mm ² / 28 ... 12 AWG
Fine-stranded conductor 2	0.08 ... 2.5 mm ² / 28 ... 12 AWG
Strip length 2	8 ... 9 mm / 0.31 ... 0.35 inches

Physical data

Width	57 mm / 2.244 inches
Height	181 mm / 7.126 inches
Depth from upper-edge of DIN-rail	179 mm / 7.047 inches
Note (dimensions)	Height with connector

Mechanical data

Mounting type	DIN-35 rail
---------------	-------------

Material data

Fire load	0.432 MJ
Weight	1000 g

Environmental requirements

Ambient temperature (operation)	-10 ... +50 °C
Ambient temperature (storage)	-10 ... +60 °C
Relative humidity	5 ... 96 % (no condensation permissible)

Standards and specifications

Conformity marking	CE
Standards/specifications	EN 60950 UL 508 EN 61000-6-2 EN 61000-6-3

Commercial data

Product Group	6 (INTERFACE ELECTRONIC)
eCl@ss 10.0	27-04-07-01
eCl@ss 9.0	27-04-07-01
ETIM 8.0	EC002540
ETIM 7.0	EC002540
PU (SPU)	1 pcs
Packaging type	Box
Country of origin	DE
GTIN	4045454909826
Customs tariff number	85049017000

Environmental Product Compliance

RoHS Compliance Status	Compliant, No Exemption
------------------------	-------------------------

Approvals / Certificates

General approvals			Declarations of conformity and manufacturer's declarations		
Approval	Standard	Certificate Name	Approval	Standard	Certificate Name
EAC Brjansker Zertifizierungsstelle	TP TC 020/2011	RU_C-DE.AM02. B.00093-19	EU-Declaration of Confor- mity WAGO GmbH & Co. KG	-	-
UL Underwriters Laboratories Inc.	UL 508	E255817			

Downloads

Environmental Product Compliance

Compliance Search	
Environmental Product Compliance 787-881	↓

Documentation

Bid Text			
787-881	12.07.2019	docx 21.51 KB	
787-881	12.07.2019	xml 6.19 KB	
ausschreiben.de 787-881			

Instruction Leaflet		
EPSITRON Capacitive Buffer Modules	pdf 516.78 KB	

CAD/CAE-Data

CAD data
2D/3D Models 787-881

CAE data
EPLAN Data Portal 787-881
WSCAD Universe 787-881
ZUKEN Portal 787-881

1 Compatible Products

1.1 Optional Accessories

1.1.1 Marking

1.1.1.1 Marker

<p>Item No.: 2009-145 Mini-WSB Inline; for Smart Printer; 1700 pieces on roll; stretchable 5 - 5.2 mm; plain; snap-on type; white</p>	<p>Item No.: 248-501 Mini-WSB marking card; as card; not stretchable; plain; snap-on type; white</p>	<p>Item No.: 793-5501 WMB marking card; as card; for terminal block width 5 - 17.5 mm; stretchable 5 - 5.2 mm; plain; snap-on type; white</p>	<p>Item No.: 793-501 WMB marking card; as card; not stretchable; plain; snap-on type; white</p>
<p>Item No.: 2009-115 WMB-Inline; for Smart Printer; 1500 pieces on roll; stretchable 5 - 5.2 mm; plain; snap-on type; white</p>			

1.1.1.2 Marking strip

<p>Item No.: 2009-110 Marking strips; for Smart Printer; on reel; not stretchable; plain; snap-on type; white</p>	<p>Item No.: 210-831 Marking strips; on reel; 2.3 mm wide; plain; Self-adhesive; white</p>	<p>Item No.: 210-832 Marking strips; on reel; 3 mm wide; plain; Self-adhesive; white</p>

1.1.2 Mounting adapter

1.1.2.1 DIN-rail adapter



Item No.: 787-897

Carrier rail adapter made of zinc die-cast; for mounting 787-8xx devices to a DIN 35 rail

Item No.: 787-896

Carrier rail adapter; for mounting 787-8xx devices to a DIN 35 rail

1.1.2.2 Wall-mount adapter



Item No.: 787-895

Mounting carrier; for screw fixing of 787-8xx devices on mounting plate or wall without DIN 35 rail

1.1.3 Tool

1.1.3.1 Operating tool



Item No.: 210-720

Operating tool; Blade: 3.5 x 0.5 mm; with a partially insulated shaft; multicoloured

Item No.: 210-721

Operating tool; Blade: 5.5 x 0.8 mm; with a partially insulated shaft; multicoloured