

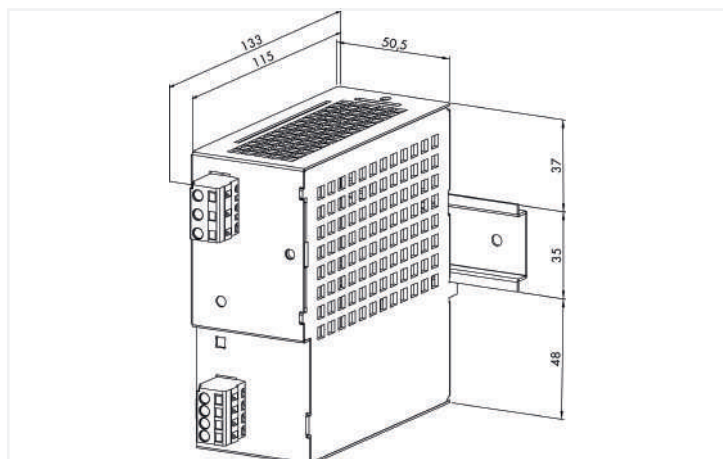
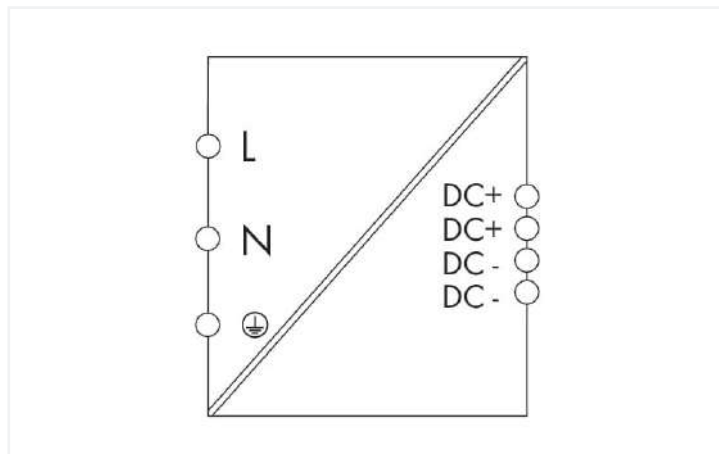
## Data Sheet | Item Number: 787-612

Switched-mode power supply; Classic; 1-phase; 24 VDC output voltage; 2.5 A output current; 2,50 mm<sup>2</sup>

<https://www.wago.com/787-612>

DISCONTINUED:

01.09.2022



Dimensions in mm

- Switched-mode power supply
- Suitable for protection class I equipment
- Suitable for both parallel and series operation
- Natural convection cooling when horizontally mounted
- Encapsulated for use in control cabinets
- Electrically isolated output voltage (SELV) per EN 60950-1/UL 60950

### Technical data

#### Input

Phases	1
Nominal input voltage $U_{i, \text{nom}}$	1 x AC 100 ... 240 V; DC 140 ... 300 V
Input voltage range	1 x AC 90 ... 264 V; DC 130 ... 300 V
Nominal mains frequency range	50 ... 60 Hz; 0 Hz
Input current $I_i$	$\leq 0.6$ A (230 VAC)
Discharge current	$\leq 0.7$ mA
Inrush current	$\leq 50$ A
Power factor correction (PFC)	Passive
Mains failure hold-up time	$\geq 20$ ms (230 VAC)

#### Output

Nominal output voltage $U_{o, \text{nom}}$	DC 24 V (SELV)
Output voltage range	DC 22 ... 28.8 V (adjustable)
Default setting	DC 24 V
Nominal output current $I_{o, \text{nom}}$	2.5 A (24 VDC)
Deviation	$\leq 2$ %
Residual ripple	$\leq 100$ mV (peak-to-peak)
Current limitation	$1.1 \times I_{o, \text{nom}}$ (typ.)
Overload behavior	Constant current

### Signaling and communication

Operation status indicator	Green LED (24 V OK)
----------------------------	---------------------

### Efficiency/power losses

Power loss $P_I$	$\leq 7$ W
Power loss (max.) $P_{I(max)}$	8 W (90 VAC / 24 VDC; 2.5 A)
Efficiency (typ.)	90 %

### Circuit protection

Internal fuse	T 1.6 A / 250 VAC
Backup fusing (required)	An external DC fuse is required for the DC input voltage.
Backup fusing (recommended)	Circuit breaker: C10 or B16

### Safety and protection

Isolation voltage (pri.-sec.)	DC 4.242 kV
Isolation voltage (pri.-PE)	DC 2.2 kV
Isolation voltage (sec.-PE)	DC 0.7 kV
Protection class	I
Protection type	IP20; per EN 60529
Resistance to reverse feed	$\leq$ DC 30 V
Pollution degree	2
Transient suppression (primary)	Varistor
Overvoltage protection; secondary	Internal protective circuit $\leq 40$ VDC (in the event of a fault)
Short-circuit-protected	Yes
Open-circuit-proof	Yes
Parallel operation	Yes
Series operation	Yes

### Connection data

Connection type 1	Input/output
Connection technology	CAGE CLAMP®
WAGO connector	WAGO 231 Series
Solid conductor	0.08 ... 2.5 mm <sup>2</sup> / 28 ... 12 AWG
Fine-stranded conductor	0.08 ... 2.5 mm <sup>2</sup> / 28 ... 12 AWG
Strip length	8 ... 9 mm / 0.31 ... 0.35 inches
Note (conductor cross-section)	12 AWG: THHN, THWN

### Physical data

Width	51 mm / 2.008 inches
Height from upper-edge of DIN-rail	133 mm / 5.236 inches
Depth from upper-edge of DIN-rail	120 mm / 4.724 inches

### Mechanical data

Mounting type	DIN-35 rail
---------------	-------------

### Material data

Fire load	4.4 MJ
Weight	612.7 g

### Environmental requirements

Ambient temperature (operation)	-10 ... +70 °C
Ambient temperature (storage)	-25 ... +85 °C
Relative humidity	30 ... 85 % (no condensation permissible)
Derating	-3%/K (> 50°C)
Climatic category	3K3 (per EN 60721)

### Standards and specifications

Conformity marking	CE
Standards/specifications	EN 60950-1 EN 61204-3 UL 60950 UL 508 DNV

### Commercial data

Product Group	6 (INTERFACE ELECTRONIC)
eCl@ss 10.0	27-04-07-01
eCl@ss 9.0	27-04-07-01
ETIM 8.0	EC002540
ETIM 7.0	EC002540
PU (SPU)	1 pcs
Packaging type	Box
Country of origin	DE
GTIN	4045454435202
Customs tariff number	85044083900
End of Sale	2022-09-01
End of Production	2022-09-07
End of Delivery	2023-02-28
End of Service and Repair	2025-02-28

### Environmental Product Compliance

RoHS Compliance Status	Compliant, No Exemption
------------------------	-------------------------

### Approvals / Certificates

#### General approvals



Approval	Standard	Certificate Name
UL Underwriters Laboratories Inc.	UL 508	E255817
UL Underwriters Laboratories Inc.	UL 60950-1	E255815

#### Declarations of conformity and manufacturer's declarations

Approval	Standard	Certificate Name
EU-Declaration of Confor- mity WAGO GmbH & Co. KG	-	-
UK-Declaration of Confor- mity WAGO GmbH & Co. KG	-	-

Approvals for marine applications



Approval	Standard	Certificate Name
DNV GL Det Norske Veritas, Germanischer Lloyd	-	TAA00002J6

Downloads

Environmental Product Compliance

Compliance Search
Environmental Product Compliance 787-612

Documentation

Bid Text			
787-612	13.06.2019	xml 6.70 KB	
787-612	13.06.2019	docx 20.23 KB	

Instruction Leaflet		
Primär getaktete Stromversorgungen CLASSIC	pdf 242.38 KB	

CAD/CAE-Data

CAD data
2D/3D Models 787-612

CAE data	
EPLAN Data Portal 787-612	
WSCAD Universe 787-612	
ZUKEN Portal 787-612	

Subject to changes. Please also observe the further product documentation!

Current addresses can be found at: [www.wago.com](http://www.wago.com)