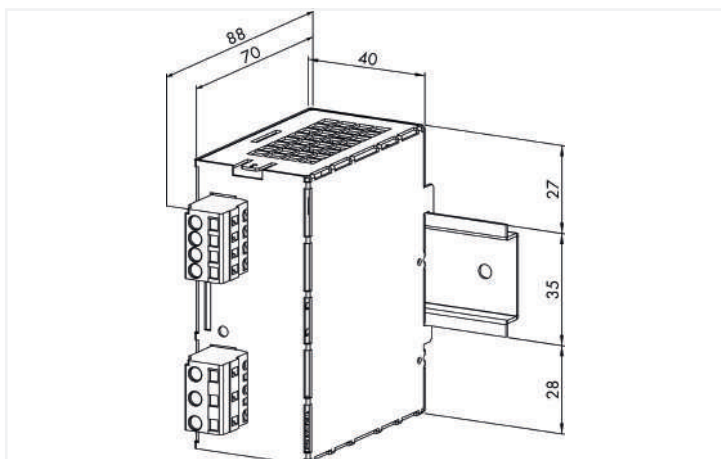
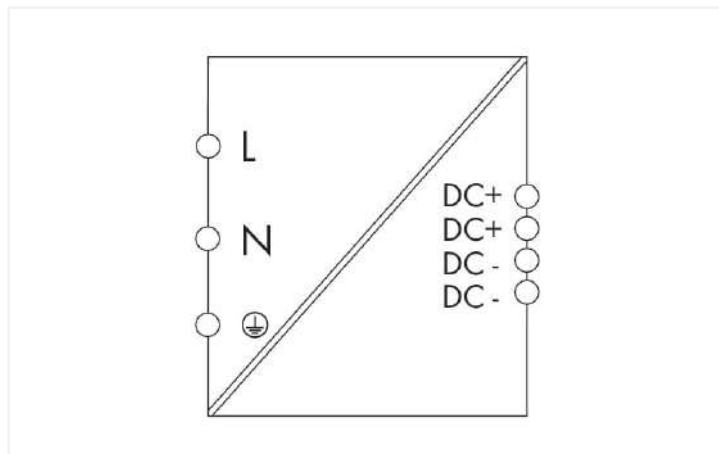


Data Sheet | Item Number: 787-602

Switched-mode power supply; Classic; 1-phase; 24 VDC output voltage; 1.3 A output current

<https://www.wago.com/787-602>

DISCONTINUED:
01.09.2022



Dimensions in mm

- Switched-mode power supply
- Protection class I
- Natural convection cooling when horizontally mounted
- Encapsulated for use in control cabinets
- Electrically isolated output voltage (SELV) per EN 60950-1/UL 60950

Technical data

Input

Phases	1
Nominal input voltage $U_{i, \text{nom}}$	1 x AC 100 ... 240 V; DC 140 ... 300 V
Input voltage range	1 x AC 90 ... 264 V; DC 130 ... 300 V
Nominal mains frequency range	50 ... 60 Hz; 0 Hz
Input current I_i	≤ 0.3 A (230 VAC)
Discharge current	≤ 0.9 mA
Inrush current	≤ 25 A
Power factor correction (PFC)	passive
Mains failure hold-up time	≥ 20 ms (230 VAC)

Output

Nominal output voltage $U_{o, \text{nom}}$	DC 24 V (SELV)
Output voltage range	DC 22 ... 28.8 V (adjustable)
Default setting	DC 24 V
Nominal output current $I_{o, \text{nom}}$	1.3 A (24 VDC)
Deviation	≤ 3 %
Residual ripple	≤ 100 mV (peak-to-peak)
Current limitation	$1.5 \times I_{o, \text{nom}}$ (typ.)
Overload behavior	Hiccup

Signaling and communication

Operation status indicator	Green LED (24 V OK)
----------------------------	---------------------

Efficiency/power losses

Power loss P_I	≤ 4.9 W
Power loss (max.) $P_{I(max)}$	7 W (90 VAC / 24 VDC; 1.3 A)
Efficiency (typ.)	83 %

Circuit protection

Internal fuse	T 2 A / 250 VAC
Backup fusing (required)	An external DC fuse is required for the DC input voltage.
Backup fusing (recommended)	Circuit breaker: C10 or B10

Safety and protection

Isolation voltage (pri.-sec.)	DC 4.242 kV
Isolation voltage (pri.-PE)	DC 2.2 kV
Isolation voltage (sec.-PE)	DC 0.7 kV
Protection class	I
Protection type	IP20; per EN 60529
Resistance to reverse feed	\leq DC 30 V
Pollution degree	2
Transient suppression (primary)	Varistor
Overvoltage protection; secondary	Internal protective circuit ≤ 40 VDC (in the event of a fault)
Short-circuit-protected	Yes ("hiccup")
Open-circuit-proof	Yes
Parallel operation	No
Series operation	Yes

Connection data

Connection type 1	Input/output
Connection technology	CAGE CLAMP®
WAGO connector	WAGO 231 Series
Solid conductor	0.08 ... 2.5 mm ² / 28 ... 12 AWG
Fine-stranded conductor	0.08 ... 2.5 mm ² / 28 ... 12 AWG
Strip length	8 ... 9 mm / 0.31 ... 0.35 inches
Note (conductor cross-section)	12 AWG: THHN, THWN

Physical data

Width	40 mm / 1.575 inches
Height from upper-edge of DIN-rail	95 mm / 3.74 inches
Depth from upper-edge of DIN-rail	90 mm / 3.543 inches

Mechanical data

Mounting type	DIN-35 rail
---------------	-------------

Material data

Fire load	0 MJ
Weight	300 g

Environmental requirements

Ambient temperature (operation)	-10 ... +70 °C
Ambient temperature (storage)	-25 ... +85 °C
Relative humidity	30 ... 85 % (no condensation permissible)
Derating	-3 %/K (> 50 °C)

Standards and specifications

Conformity marking	CE
Standards/specifications	EN 60950-1 EN 61204-3 UL 60950 UL 508 DNV

Commercial data

Product Group	6 (INTERFACE ELECTRONIC)
eCl@ss 10.0	27-04-07-01
eCl@ss 9.0	27-04-07-01
ETIM 8.0	EC002540
ETIM 7.0	EC002540
PU (SPU)	1 pcs
Packaging type	Box
Country of origin	DE
GTIN	4045454435134
Customs tariff number	85044083900
End of Sale	2022-09-01
End of Production	2022-09-07
End of Delivery	2023-02-28
End of Service and Repair	2025-02-28

Approvals / Certificates

General approvals



Approval	Standard	Certificate Name
EAC Brjansker Zertifizierungs- stelle	TP TC 004/2011,TP TC 020/2011	EAC RU C-DE.AM02. B.00089_19
UL Underwriters Laboratories Inc.	UL 508	E255817
UL Underwriters Laboratories Inc.	UL 60950-1	E255815

Declarations of conformity and manufacturer's declarations

Approval	Standard	Certificate Name
EU-Declaration of Confor- mity WAGO GmbH & Co. KG	-	-

Approvals for marine applications



Approval	Standard	Certificate Name
DNV GL Det Norske Veritas, Germanischer Lloyd	-	TAA00002J6

Downloads

Environmental Product Compliance

Compliance Search
Environmental Product Compliance 787-602

Documentation

Bid Text			
787-602	13.06.2019	xml 6.70 KB	
787-602	13.06.2019	docx 19.85 KB	

Instruction Leaflet		
Primär getaktete Stromversorgungen CLASSIC	pdf 177.87 KB	

CAD/CAE-Data

CAD data
2D/3D Models 787-602

CAE data	
EPLAN Data Portal 787-602	
WSCAD Universe 787-602	
ZUKEN Portal 787-602	

Subject to changes. Please also observe the further product documentation!

Current addresses can be found at: www.wago.com