

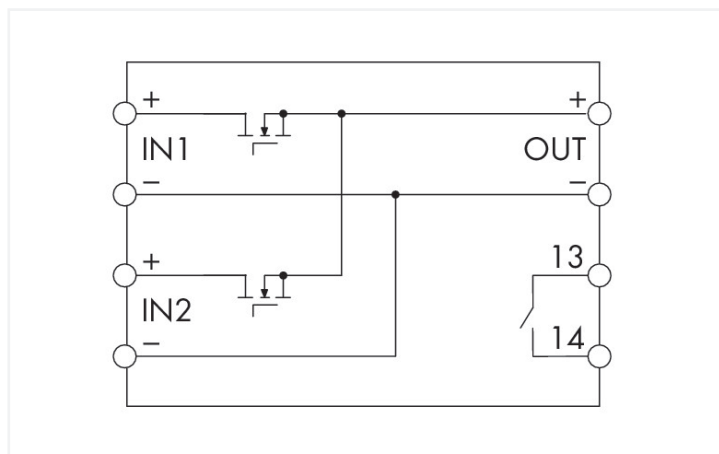
Data Sheet | Item Number: 787-1685/000-070

Redundancy Module; 2 x 24 VDC input voltage; 2 x 20 A input current; 24 VDC output voltage; 40 A output current; Protection Coating

<https://www.wago.com/787-1685/000-070>



Similar to illustration



Features:

- Redundancy module with low-loss MOFSET decouples two power supplies.
- For redundant and fail-safe power supply
- Continuous output current: 40 ADC, in any ratio of both inputs (e.g., 20 A / 20 A or 0 A / 40 A)
- Suitable for power supplies with PowerBoost and TopBoost
- Same profile as CLASSIC Power Supplies
- Electrically isolated output voltage (SELV/PELV) per EN 61140/UL 60950-1

Technical data

Input

Nominal input voltage $U_{i, \text{nom}}$	2 x DC 24 V
Input voltage range	2 x DC 10 ... 36 V
Nominal mains frequency range	0 Hz
Input current I_i	≤ 40 A (per path); ≤ 40 A (in total)
PowerBoost input	DC 60 A (4 s); DC 50 A (8 s)
TopBoost input	DC 100 A (50 ms)

Output

Nominal output voltage $U_{o, \text{nom}}$	DC 24 V
Output voltage range	DC 10 ... 36 V (U_e - voltage drop)
Voltage drop	≤ 100 mV (Input/output)
Nominal output current $I_{o, \text{nom}}$	40 A (redundancy operation); 40 A (parallel operation)
Nominal output power	960 W
Switching frequency	5 kHz
PowerBoost	DC 120 A (4 s); DC 100 A (8 s)
TopBoost	DC 200 A (50 ms)

Signaling and communication

Signaling	1 x IN1 LED (green) 1 x IN2 LED (green) 1 x DC OK signal contact (IN1 and IN2 > 10 VDC)
Operation status indicator	2 x Green LED ($U_o > 10$ VDC)

Efficiency/power losses

Power loss P_i	≤ 1.5 W; ≤ 9.5 W (nominal load)
Efficiency (typ.)	99.5 %

Circuit protection

Internal fuse	No
---------------	----

Safety and protection

Isolation voltage (connectors – housing)	DC 0.5 kV
Protection class	III
Protection type	IP20; per EN 60529
Reverse voltage protection	Yes
Resistance to reverse feed	≤ DC 37 V
Pollution degree	2
Parallel operation	Yes
Series operation	No
MTBF	> 500,000 h (per IEC 61709)

Connection data

Connection type 1	Input/output
Connection technology	Push-in CAGE CLAMP®
WAGO connector	WAGO 831 Series
Solid conductor	0.5 ... 10 mm ² / 20 ... 8 AWG
Fine-stranded conductor	0.5 ... 10 mm ² / 20 ... 8 AWG
Strip length	13 ... 15 mm / 0.51 ... 0.59 inches
Connection type 2	Signaling
Connection technology 2	CAGE CLAMP®
WAGO connector 2	WAGO 721 Series
Solid conductor 2	0.08 ... 2.5 mm ² / 28 ... 12 AWG
Fine-stranded conductor 2	0.08 ... 2.5 mm ² / 28 ... 12 AWG
Strip length 2	8 ... 9 mm / 0.31 ... 0.35 inches

Physical data

Width	42 mm / 1.654 inches
Height	127 mm / 5 inches
Depth from upper-edge of DIN-rail	139.5 mm / 5.421 inches

Mechanical data

Mounting type	DIN-35 rail
---------------	-------------

Material data

Fire load	0 MJ
Weight	370 g

Environmental requirements

Ambient temperature (operation)	-40 ... +70 °C
Ambient temperature (storage)	-40 ... +85 °C
Relative humidity	5 ... 96 % (no condensation permissible)
Derating	-1.5 %/K (> 65 °C)

Standards and specifications

Conformity marking	CE
Standards/specifications	EN 61000-6-2 EN 61000-6-3 EN 61010-1 EN 61010-2-201 EN 61140 UL 508 UL 60950 DNV

Commercial data

PU (SPU)	1 pcs
Country of origin	DE
GTIN	4066966256413
Customs tariff number	85363030888

Environmental Product Compliance

RoHS Compliance Status	Compliant, No Exemption
------------------------	-------------------------

Approvals / Certificates

Declarations of conformity and manufacturer's declarations

Approval	Standard	Certificate Name
EU-Declaration of Conformity WAGO GmbH & Co. KG	-	-
UK-Declaration of Conformity WAGO GmbH & Co. KG	-	-

Downloads

Environmental Product Compliance

Compliance Search

Environmental Product
Compliance
787-1685/000-070

