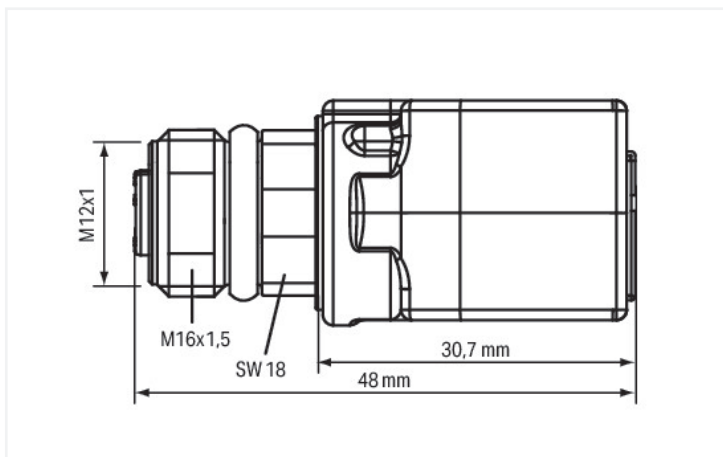
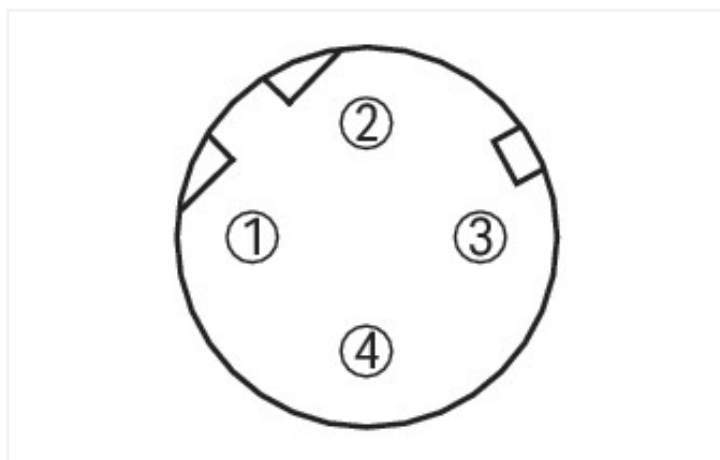
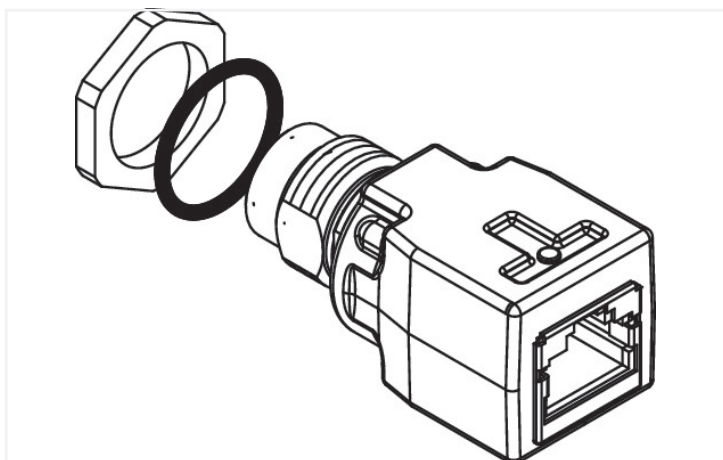


Similar to illustration



Dimensions in mm

Technical data

Connection type	M12 Socket - RJ-45 socket
Pole number	4
Cable connection direction to mating direction	0 °
Cable connection direction to mating direction (2)	0 °
Connector interface coding (cable/adapter) 1 1	D-coded
Communication/fieldbus	ETHERNET
Communication/fieldbus (2)	PROFINET

Mechanical data

Weight	37.5 g
--------	--------

Environmental requirements

Protection type	IP67
Fire load	0 MJ

Commercial data

eCl@ss 10.0	27-24-26-92
eCl@ss 9.0	27-24-26-92
ETIM 8.0	EC002584
ETIM 7.0	EC002584
PU (SPU)	1 pcs
Packaging type	Box
Country of origin	DE
GTIN	4045454971113
Customs tariff number	85366990990

Environmental Product Compliance

CAS-No.	7439-92-1
REACH Candidate List Substance	Lead
RoHS Compliance Status	Compliant,With Exemption
RoHS Exemption	6(c)
SCIP notification number (Austria)	ffce34b9-98e4-4c07-b7f9-b782c9aeb251
SCIP notification number (Belgium)	c65a0c71-c8be-47ce-9132-83d28d495f43
SCIP notification number (Bulgaria)	f7371382-dd68-4efa-82f2-a33c6a758e53
SCIP notification number (Czech Republic)	f4744379-35ea-44bb-9514-ec1a81e79c0c
SCIP notification number (Denmark)	d1692e2d-bcd4-424d-a10c-f5bc9af04148
SCIP notification number (Finland)	af38fe45-00a3-4458-bf73-9b36fc46a7c0
SCIP notification number (France)	4260c0db-74e7-4f89-ac17-009b3c0a1d48
SCIP notification number (Germany)	8b8fa1b1-66ce-497c-81af-4690ade0f8dd
SCIP notification number (Hungary)	ced56148-bc9d-49bf-a45a-8db08df27caf
SCIP notification number (Italy)	a897b9df-defd-44df-be0a-4c71d7a605f4
SCIP notification number (Netherlands)	caa050ee-d2a5-4216-a725-a2afb0d30cb
SCIP notification number (Poland)	0ab3c659-159a-4aeb-8437-e68434e4dfea
SCIP notification number (Romania)	5fff4116-7fe9-4c78-abb2-66abc8dab417
SCIP notification number (Sweden)	e3918eb9-211b-4ee2-81e3-daab9f94f368

Downloads

Environmental Product Compliance

Compliance Search

Environmental Product
Compliance
756-9504/040-000



CAD/CAE-Data

CAE data

WSCAD Universe
756-9504/040-000

