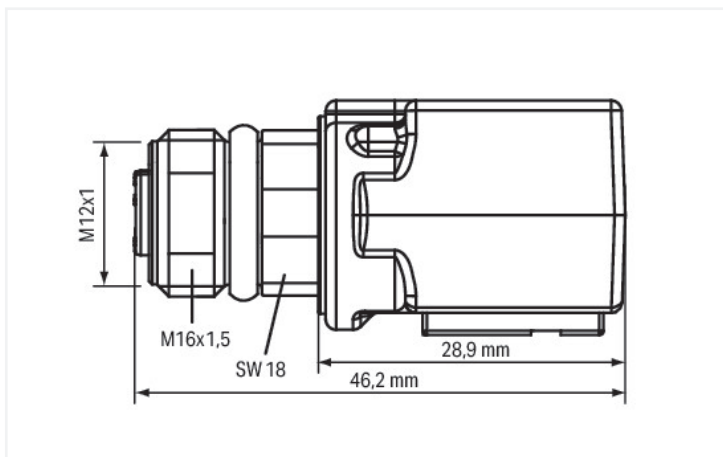
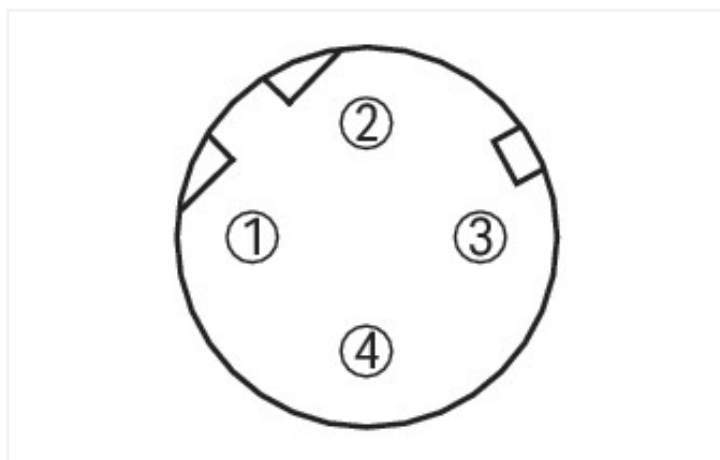
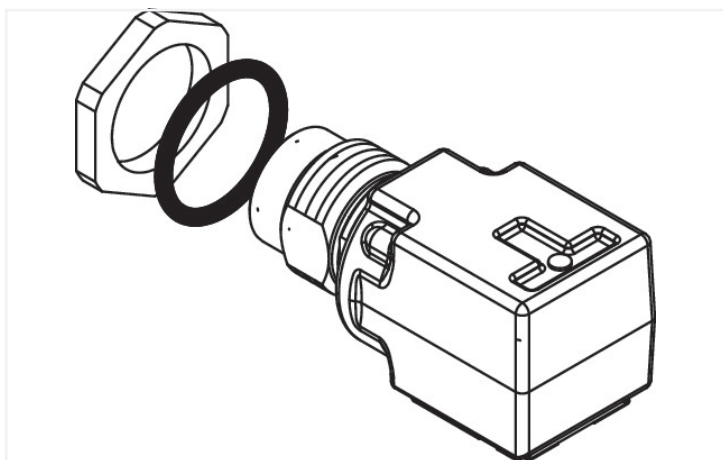


Similar to illustration



Dimensions in mm

Technical data

Connection type	M12 Socket - RJ-45 socket
Pole number	4
Cable connection direction to mating direction	0 °
Cable connection direction to mating direction (2)	90 °
Connector interface coding (cable/adapter) 1 1	D-coded
Communication/fieldbus	ETHERNET
Communication/fieldbus (2)	PROFINET

Mechanical data

Weight	37.5 g
--------	--------

Environmental requirements

Protection type	IP67
Fire load	0 MJ

Commercial data

eCl@ss 10.0	27-24-26-92
eCl@ss 9.0	27-24-26-92
ETIM 8.0	EC002584
ETIM 7.0	EC002584
PU (SPU)	1 pcs
Packaging type	Box
Country of origin	DE
GTIN	4045454521912
Customs tariff number	85366990990

Environmental Product Compliance

RoHS Compliance Status	Compliant, No Exemption
------------------------	-------------------------

Downloads

Environmental Product Compliance

Compliance Search

Environmental Product
Compliance
756-9503/040-000



CAD/CAE-Data

CAE data

WSCAD Universe
756-9503/040-000

