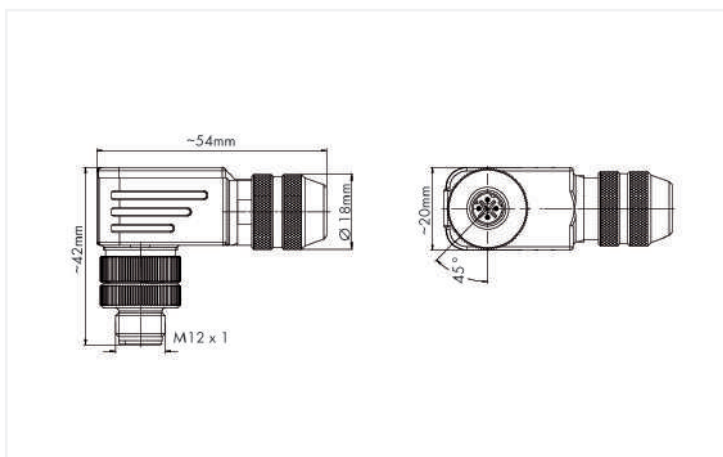


Similar to illustration



Dimensions in mm

**Technical data**

|  |          |
|--|----------|
| Connection type                                | M12 plug |
| Pole number                                    | 4        |
| Connection point (shielded)                    | Yes      |
| Cable connection direction to mating direction | 90°      |
| Connector interface coding (cable/adapter) 1 1 | D-coded  |
| Contact resistance                             | ≤3 mΩ    |

**Connection data**

|                   |                                       |
|-------------------|---------------------------------------|
| Connection type 1 | Spring clamp technology               |
| Solid conductor   | 0.14 ... 0.5 mm <sup>2</sup> / 20 AWG |

### Mechanical data

|                                     |                               |
|-------------------------------------|-------------------------------|
| Connectable sheathed cable diameter | 6 ... 8 mm                    |
| Housing material                    | Die-cast zinc, nickel-plated  |
| Contact material                    | CuZn                          |
| Contact plating                     | Gold                          |
| Dichtungsmaterial                   | Seal: Neoprene; O-Ring: Viton |
| Mating cycles (max.)                | 100                           |
| Weight                              | 6.5 g                         |

### Environmental requirements

|                                 |                 |
|---------------------------------|-----------------|
| Ambient temperature (operation) | -25 ... +85 °C  |
| Protection type                 | IP67            |
| Note on protection type         | in locked state |
| Pollution degree                | 3               |
| Fire load                       | 0 MJ            |

### Commercial data

|                       |               |
|-----------------------|---------------|
| eCl@ss 10.0           | 27-24-26-92   |
| eCl@ss 9.0            | 27-24-26-92   |
| ETIM 8.0              | EC002584      |
| ETIM 7.0              | EC002584      |
| PU (SPU)              | 1 pcs         |
| Packaging type        | Box           |
| Country of origin     | DE            |
| GTIN                  | 4045454686444 |
| Customs tariff number | 85366990990   |

### Environmental Product Compliance

|   |                                      |
|---|--------------------------------------|
| CAS-No.                                   | 7439-92-1<br>96-45-7                 |
| REACH Candidate List Substance            | Ethylene thiourea<br>Lead            |
| RoHS Compliance Status                    | Compliant,With Exemption             |
| RoHS Exemption                            | 6(c)                                 |
| SCIP notification number (Austria)        | ff972a3c-3afe-44c9-8e84-e8554d329828 |
| SCIP notification number (Belgium)        | 0a627ea3-f7d0-482e-afc5-46199e404987 |
| SCIP notification number (Bulgaria)       | cf8c9d48-d03d-4e7b-8a23-fcdffeb674aa |
| SCIP notification number (Czech Republic) | fdb2940c-8d35-402f-9666-d5cfd596ac05 |
| SCIP notification number (Denmark)        | 119d121a-ccd0-4b3f-ab2d-890d34e45397 |
| SCIP notification number (Finland)        | 673c51c3-56a1-467e-89c7-9a1b11a987c3 |
| SCIP notification number (France)         | b655a432-2fd0-415d-830c-fb909626cd35 |
| SCIP notification number (Germany)        | 85b2780d-d4b5-4db7-9ac8-e426911e3d73 |
| SCIP notification number (Hungary)        | 4bb12c28-d93a-4a67-9a46-6d16e017d687 |
| SCIP notification number (Italy)          | 712c4d0d-70d4-4a98-bff3-d15295f4403f |
| SCIP notification number (Netherlands)    | d32ed57e-72f9-4529-898a-5aca2c840dad |
| SCIP notification number (Poland)         | a6494cb7-4ea8-466b-8889-224e3aa61080 |
| SCIP notification number (Romania)        | c520367b-436a-45cf-91d8-51e86b2a8f05 |
| SCIP notification number (Sweden)         | 76aadcac-4635-454c-9c28-109ecad0d1ec |

### Downloads

### Environmental Product Compliance



Compliance Search

Environmental Product  
Compliance  
756-9501/040-000



CAD/CAE-Data

CAE data

WSCAD Universe  
756-9501/040-000

