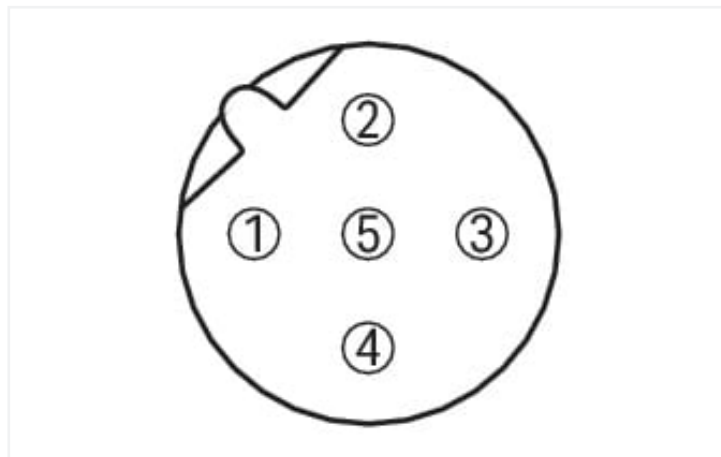


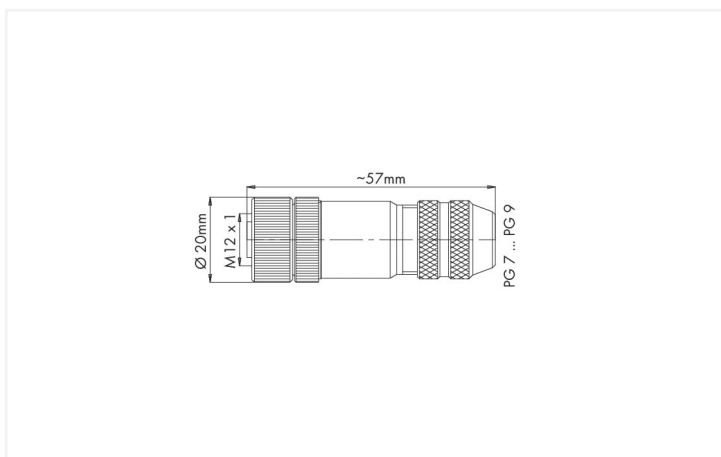
# Data Sheet | Item Number: 756-9412/060-000

Accessories; M12 socket, straight; 5-pole

<https://www.wago.com/756-9412/060-000>



Similar to illustration



Dimensions in mm

## Notes

|      |  |
|------|--|
| Note | When assembling S-Bus cables, crimp the four ground wires together in a 0.75 mm <sup>2</sup> ferule and connect them to pin 5.<br>S-Bus = System Bus |
|------|--|

## Technical data

|  |            |
|--|------------|
| Connection type                                | M12 Socket |
| Pole number                                    | 5          |
| Connection point (shielded)                    | Yes        |
| Cable connection direction to mating direction | 0°         |
| Connector interface coding (cable/adaptor) 1 1 | B-coded    |
| Contact resistance                             | ≤3 mΩ      |

### Connection data

|                   |  |
|-------------------|--|
| Connection type 1 | Screw clamp technology                 |
| Solid conductor   | 0.14 ... 0.75 mm <sup>2</sup> / 20 AWG |

### Mechanical data

|                                     |                                       |
|-------------------------------------|---------------------------------------|
| Connectable sheathed cable diameter | 6 ... 8 mm                            |
| Housing material                    | Die-cast zinc, nickel-plated          |
| Contact material                    | CuZn                                  |
| Contact plating                     | Gold                                  |
| Dichtungsmaterial                   | Sealing ring: neoprene; O-ring: Viton |
| Mating cycles (max.)                | 100                                   |
| Weight                              | 46 g                                  |

### Environmental requirements

|                                 |                 |
|---------------------------------|-----------------|
| Ambient temperature (operation) | -40 ... +85 °C  |
| Protection type                 | IP67            |
| Note on protection type         | in locked state |
| Pollution degree                | 3               |
| Fire load                       | 0 MJ            |

### Commercial data

|                       |                                  |
|-----------------------|----------------------------------|
| Product Group         | 23 (I/O passive and accessories) |
| eCl@ss 10.0           | 27-24-26-92                      |
| eCl@ss 9.0            | 27-24-26-92                      |
| ETIM 8.0              | EC002584                         |
| ETIM 7.0              | EC002584                         |
| PU (SPU)              | 1 pcs                            |
| Packaging type        | Box                              |
| Country of origin     | DE                               |
| GTIN                  | 4055143121590                    |
| Customs tariff number | 85366990990                      |

### Environmental Product Compliance

|   |                                      |
|---|--------------------------------------|
| CAS-No.                                   | 7439-92-1<br>96-45-7                 |
| REACH Candidate List Substance            | Ethylene thiourea<br>Lead            |
| RoHS Compliance Status                    | Compliant,With Exemption             |
| RoHS Exemption                            | 6(c)                                 |
| SCIP notification number (Austria)        | 35aee828-56bd-4627-8b13-943a61a86edf |
| SCIP notification number (Belgium)        | a710d15c-ba42-4970-a59c-5a17bcaa81fa |
| SCIP notification number (Bulgaria)       | c7cfc3dd-351d-428f-a3bf-229f4086698d |
| SCIP notification number (Czech Republic) | 30f4a943-b1e4-4923-bde4-f49bede34294 |
| SCIP notification number (Denmark)        | dca85561-c46f-4867-b049-7a058f8a4070 |
| SCIP notification number (Finland)        | 443c91d4-4b2a-4d3d-bcf5-96b054f94e96 |
| SCIP notification number (France)         | 441add3a-9d51-4dd0-af1a-d9bfc23330fd |
| SCIP notification number (Germany)        | 1c5bf68e-ceed-43b3-aea6-79b2667d5504 |
| SCIP notification number (Hungary)        | 27315336-28e5-426f-834f-caae5bff3552 |
| SCIP notification number (Italy)          | afb0571f-7d1d-49ab-9eb7-673d359f2ed7 |
| SCIP notification number (Netherlands)    | 705c8721-b5e5-47eb-a961-2a728d942801 |
| SCIP notification number (Poland)         | 77b135b3-5782-4014-8523-c0acf3aa88b5 |
| SCIP notification number (Romania)        | bab438d0-bb18-48d5-9d8a-308b962f7dbc |
| SCIP notification number (Sweden)         | cb9c0d57-04c7-470b-b646-1ce0fb331b9b |



Downloads

Environmental Product Compliance

Compliance Search

Environmental Product  
Compliance  
756-9412/060-000

