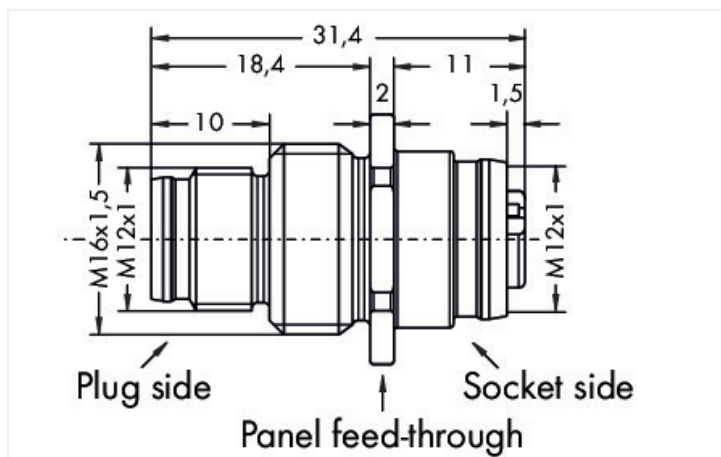
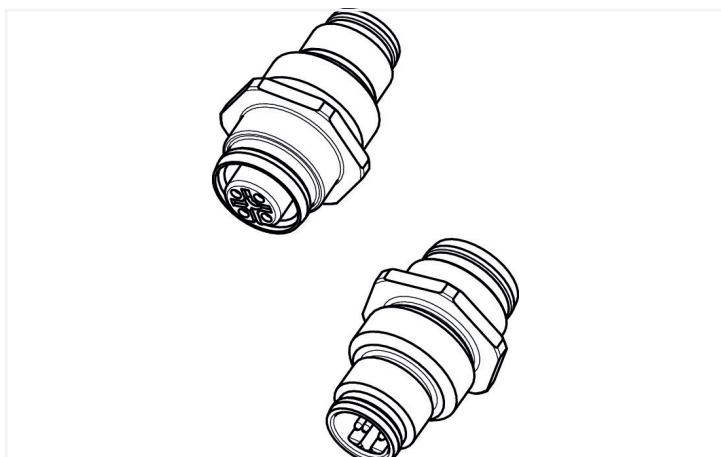


Similar to illustration



Dimensions in mm

Technical data

Connection type	M12 Socket - M12 plug
Pole number	5
Connector interface coding (cable/adaptor) 1 1	B-coded
Connector interface coding (cable/adaptor) 2 1	B-coded

Mechanical data

Weight	22.3 g
--------	--------

Environmental requirements

Protection type	IP67
Fire load	0 MJ

Commercial data

eCl@ss 10.0	27-24-26-92
eCl@ss 9.0	27-24-26-92
ETIM 8.0	EC002584
ETIM 7.0	EC002584
PU (SPU)	1 pcs
Packaging type	Box
Country of origin	DE
GTIN	4050821618928
Customs tariff number	85366990990

Environmental Product Compliance

RoHS Compliance Status	Compliant, No Exemption
------------------------	-------------------------

Downloads**Environmental Product Compliance****Compliance Search**

Environmental Product
Compliance
756-9406/050-000

**CAD/CAE-Data****CAE data**

WSCAD Universe
756-9406/050-000

