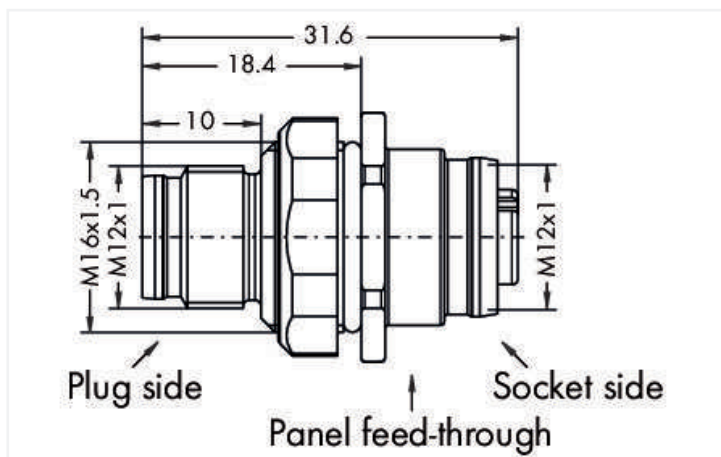


Similar to illustration



Dimensions in mm

### Technical data

Connection type	M12 Socket - M12 plug
Pole number	4
Connector interface coding (cable/adaptor) 1 1	A-coded
Connector interface coding (cable/adaptor) 2 1	A-coded

### Mechanical data

Weight	22.3 g
--------	--------

### Environmental requirements

Protection type	IP67
Fire load	0 MJ

Commercial data	
eCl@ss 10.0	27-24-26-92
eCl@ss 9.0	27-24-26-92
ETIM 8.0	EC002584
ETIM 7.0	EC002584
PU (SPU)	1 pcs
Packaging type	Box
Country of origin	DE
GTIN	4050821618881
Customs tariff number	85366990990

Environmental Product Compliance	
RoHS Compliance Status	Compliant, No Exemption

## Downloads

### Environmental Product Compliance

Compliance Search	
Environmental Product Compliance 756-9217/050-000	↓

### CAD/CAE-Data

CAE data	
WSCAD Universe 756-9217/050-000	↓