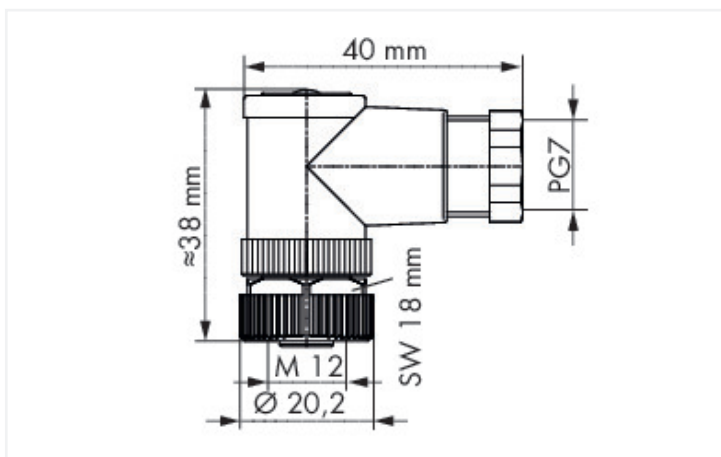
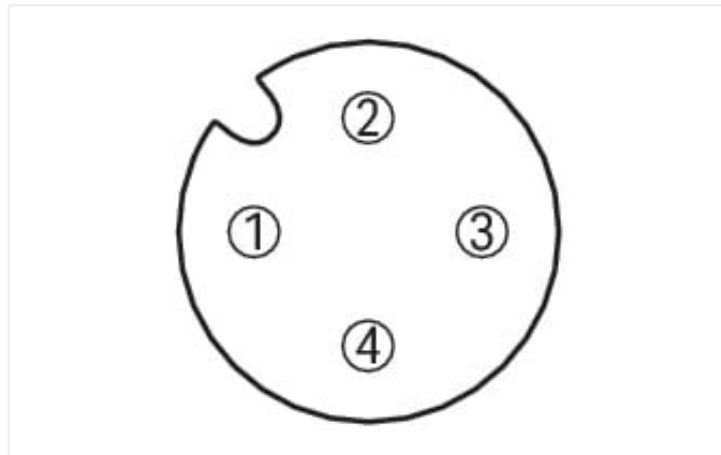


Data Sheet | Item Number: 756-9215/040-000

Fitted pluggable connector; 4-pole; M12 socket, right angle; Spring

<https://www.wago.com/756-9215/040-000>



Dimensions in mm

Technical data

Connection type	M12 Socket
Pole number	4
Cable connection direction to mating direction	90°
Connector interface coding (cable/adapter) 1 1	A-coded
Contact resistance	≤3 mΩ

Connection data

Connection type 1	Spring clamp technology
Solid conductor	0.14 ... 0.5 mm ²

Mechanical data

Connectable sheathed cable diameter	4 ... 6 mm
Housing material	Polybutylene terephthalate (PBT)
Contact material	CuZn
Contact plating	Gold
Dichtungsmaterial	Sealing ring: neoprene
Mating cycles (max.)	100
Weight	25.3 g

Environmental requirements

Ambient temperature (operation)	-25 ... +85 °C
Protection type	IP67
Note on protection type	in locked state
Pollution degree	3
Fire load	0 MJ

Commercial data

eCl@ss 10.0	27-24-26-92
eCl@ss 9.0	27-24-26-92
ETIM 8.0	EC002584
ETIM 7.0	EC002584
PU (SPU)	5 (1) pcs
Packaging type	Box
Country of origin	DE
GTIN	4045454686130
Customs tariff number	85366990990

Environmental Product Compliance

CAS-No.	96-45-7
REACH Candidate List Substance	Ethylene thiourea
RoHS Compliance Status	Compliant, No Exemption
SCIP notification number (Austria)	13038839-b9d7-4a82-8e4b-1e534d947bb0
SCIP notification number (Belgium)	00a62ed2-3b5d-4b1c-b347-7be4cbd842ed
SCIP notification number (Bulgaria)	04978b85-851f-4a4c-82c1-326e072bf488
SCIP notification number (Czech Republic)	ef158bd6-e781-43ca-9172-92f7dbd8666a
SCIP notification number (Denmark)	a82632a9-84f0-4a06-91a2-ceb2ad2358fc
SCIP notification number (Finland)	a7722e72-5c7f-47fe-ba04-d5621dbcd885
SCIP notification number (France)	753ed79f-e115-46a2-a3c9-8d228a7b4781
SCIP notification number (Germany)	38161c37-40c1-4458-b075-73f6057ec606
SCIP notification number (Hungary)	2b11d6fe-fc0a-4913-820f-317cf18dc216
SCIP notification number (Italy)	b126bd97-b034-4829-95e9-94cdd00d4bc8
SCIP notification number (Netherlands)	fba2dee4-22b2-469a-beda-ff2b839af626
SCIP notification number (Poland)	a765082e-6730-4564-a7b3-c66a594ace2
SCIP notification number (Romania)	c2933f6e-9e51-418c-be48-853bcbb97b8f
SCIP notification number (Sweden)	104d9cdc-eaf4-40ab-965c-6549ca23cb22

Downloads

Environmental Product Compliance

Compliance Search

Environmental Product
Compliance
756-9215/040-000



Documentation

System Description

IP67 Cables and Plug-gable Connectors	pdf 157.80 KB	
---------------------------------------	------------------	--

Bid Text

756-9215/040-000	20.09.2017	doc 24.00 KB	
756-9215/040-000	19.02.2019	xml 2.69 KB	

CAD/CAE-Data

CAE data

WSCAD Universe 756-9215/040-000	
------------------------------------	--