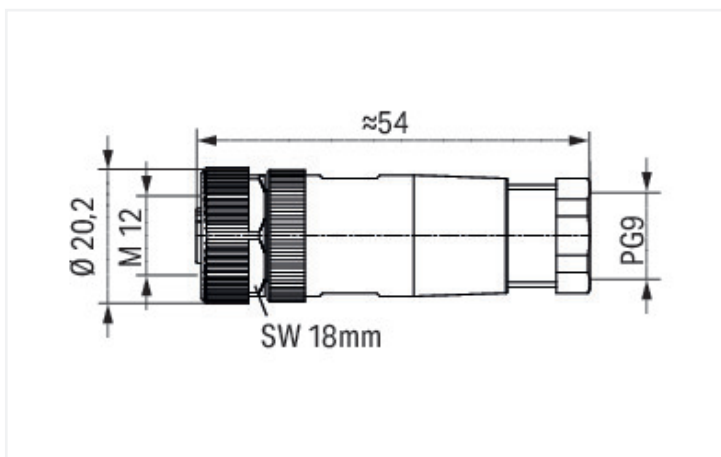


Similar to illustration



Dimensions in mm

Technical data

Connection type	M12 Socket
Pole number	5
Cable connection direction to mating direction	0°
Connector interface coding (cable/adapter) 1 1	A-coded
Contact resistance	≤3 mΩ

Connection data

Connection type 1	Spring clamp technology
Solid conductor	0.14 ... 0.5 mm ²

Mechanical data

Connectable sheathed cable diameter	6 ... 8 mm
Housing material	PA
Contact material	CuZn
Contact plating	Gold
Dichtungsmaterial	Sealing ring: neoprene
Mating cycles (max.)	100
Weight	25 g

Environmental requirements

Ambient temperature (operation)	-25 ... +85 °C
Protection type	IP67
Note on protection type	in locked state
Pollution degree	3
Fire load	0 MJ

Commercial data

eCl@ss 10.0	27-24-26-92
eCl@ss 9.0	27-24-26-92
ETIM 8.0	EC002584
ETIM 7.0	EC002584
PU (SPU)	5 (1) pcs
Packaging type	Box
Country of origin	DE
GTIN	4050821114307
Customs tariff number	85366990990

Environmental Product Compliance

CAS-No.	96-45-7
REACH Candidate List Substance	Ethylene thiourea
RoHS Compliance Status	Compliant, No Exemption
SCIP notification number (Austria)	7ed497a9-9bbc-44ae-86ab-c869b98ad0ae
SCIP notification number (Belgium)	249d75c1-c317-4798-9b7f-24e432b71e13
SCIP notification number (Bulgaria)	d1e6c060-2819-412d-819b-23850687b972
SCIP notification number (Czech Republic)	380bfb5a-5838-4727-8b80-9563421170d9
SCIP notification number (Denmark)	30eb33b8-4173-41de-b4d1-409d3f824a2f
SCIP notification number (Finland)	2f47a40c-4ec4-4060-a926-cf098c34bc95
SCIP notification number (France)	75917cc1-b0ba-4314-b683-bdb89fe1f471
SCIP notification number (Germany)	8a70ce51-2306-4990-bc87-c8b3f7ff635f
SCIP notification number (Hungary)	4ea26e2e-dbdd-474c-934d-9df628ce29af
SCIP notification number (Italy)	704b6ed8-3bea-4193-8522-837618f36383
SCIP notification number (Netherlands)	0752c1a3-a97b-4440-bd47-ae749237a4e9
SCIP notification number (Poland)	3fb7eb9d-5d26-4c8b-a566-de919de81953
SCIP notification number (Romania)	5059404f-5f24-446d-80c8-c5095a124222
SCIP notification number (Sweden)	6dde60d2-5a38-4f00-af1f-5ad0bfab0bd2

Downloads

Environmental Product Compliance

Compliance Search

Environmental Product
Compliance
756-9213/050-000



CAD/CAE-Data

CAE data

WSCAD Universe
756-9213/050-000

