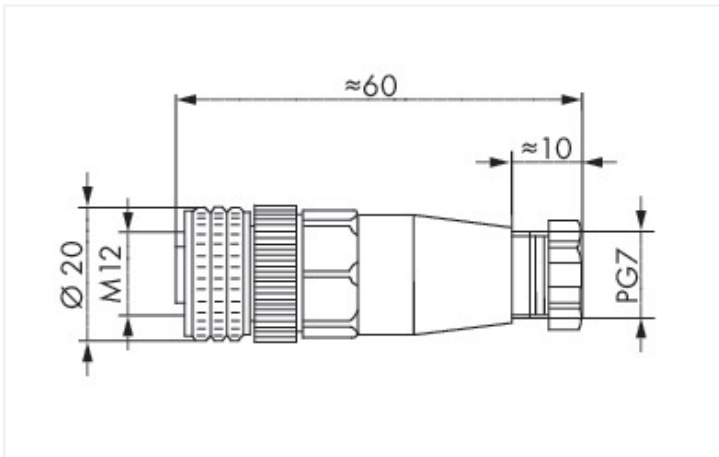
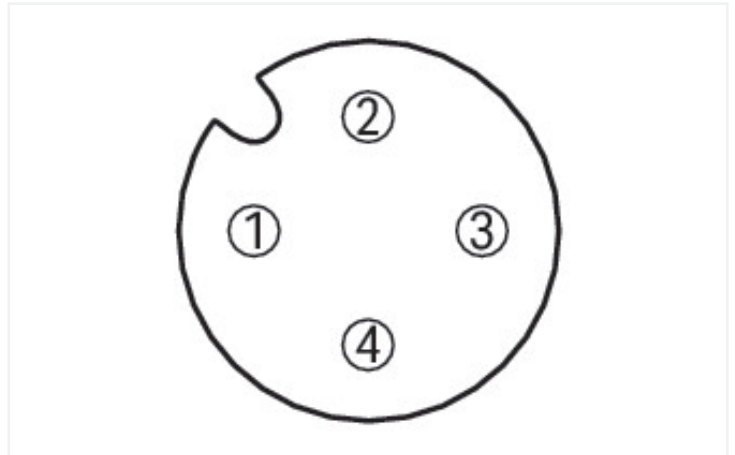


<https://www.wago.com/756-9211/040-000>



Dimensions in mm

Technical data

Connection type	M12 Socket
Pole number	4
Cable connection direction to mating direction	0°
Connector interface coding (cable/adaptor) 1 1	A-coded
Contact resistance	≤3 mΩ

Connection data

Connection type 1	Screw clamp technology
Solid conductor	0.25 ... 0.75 mm ²

Mechanical data

Connectable sheathed cable diameter	4 ... 6 mm
Housing material	PA
Contact material	CuZn
Contact plating	Gold
Dichtungsmaterial	Seal: Neoprene
Mating cycles (max.)	100
Weight	23.8 g

Environmental requirements

Ambient temperature (operation)	-25 ... +85 °C
Protection type	IP67
Note on protection type	in locked state
Pollution degree	3
Fire load	0 MJ

Commercial data

eCl@ss 10.0	27-24-26-92
eCl@ss 9.0	27-24-26-92
ETIM 8.0	EC002584
ETIM 7.0	EC002584
PU (SPU)	5 pcs
Packaging type	Box
Country of origin	HU
GTIN	4045454325589
Customs tariff number	85366990990

Environmental Product Compliance

RoHS Compliance Status	Compliant, No Exemption
------------------------	-------------------------

Downloads

Environmental Product Compliance


Compliance Search

Environmental Product
Compliance
756-9211/040-000





Documentation

System Description

IP67 Cables and Plug-
gable Connectors pdf
157.80 KB 

Bid Text

756-9211/040-000	20.09.2017	doc 24.00 KB	
756-9211/040-000	19.02.2019	xml 2.69 KB	

CAD/CAE-Data

CAE data

WSCAD Universe
756-9211/040-000

