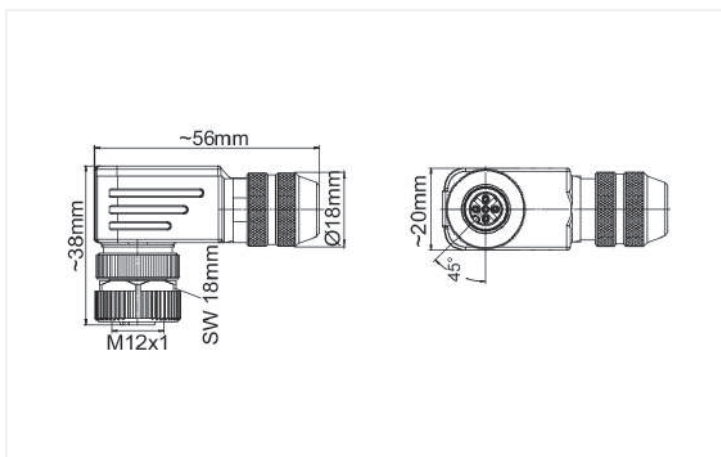
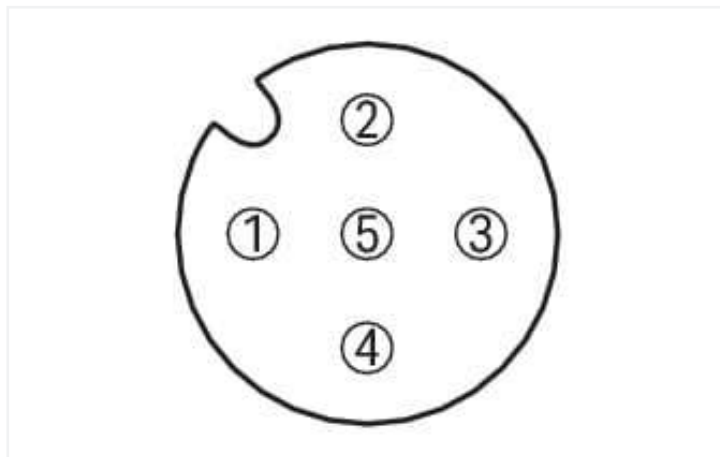


Data Sheet | Item Number: 756-9210/060-000

Accessories; M12 socket, right angle; 5-pole

<https://www.wago.com/756-9210/060-000>



Dimensions in mm

Technical data

Connection type	M12 Socket
Pole number	5
Connection point (shielded)	Yes
Cable connection direction to mating direction	90°
Connector interface coding (cable/adaptor) 1 1	A-coded
Contact resistance	≤3 mΩ

Connection data

Connection type 1	Spring clamp technology
Solid conductor	0.14 ... 0.5 mm ²

Mechanical data

Connectable sheathed cable diameter	6 ... 8 mm
Housing material	Die-cast zinc, nickel-plated
Contact material	CuZn
Contact plating	Gold
Dichtungsmaterial	Sealing ring: neoprene; O-ring: Viton
Mating cycles (max.)	100
Weight	70 g

Environmental requirements

Ambient temperature (operation)	-25 ... +85 °C
Protection type	IP67
Note on protection type	in locked state
Pollution degree	3
Fire load	0 MJ

Commercial data

eCl@ss 10.0	27-24-26-92
eCl@ss 9.0	27-24-26-92
ETIM 8.0	EC002584
ETIM 7.0	EC002584
PU (SPU)	1 pcs
Packaging type	Box
Country of origin	DE
GTIN	4045454686406
Customs tariff number	85366990990

Environmental Product Compliance

RoHS Compliance Status	Compliant, No Exemption
------------------------	-------------------------

Downloads

Environmental Product Compliance

Compliance Search	
Environmental Product Compliance 756-9210/060-000	↓

Documentation

System Description		
IP67 Cables and Plug-gable Connectors	pdf 157.80 KB	↓

Bid Text				
756-9210/060-000	20.09.2017	doc 24.00 KB	↓	
756-9210/060-000	19.02.2019	xml 2.69 KB	↓	

CAD/CAE-Data

CAE data

WSCAD Universe
756-9210/060-000

