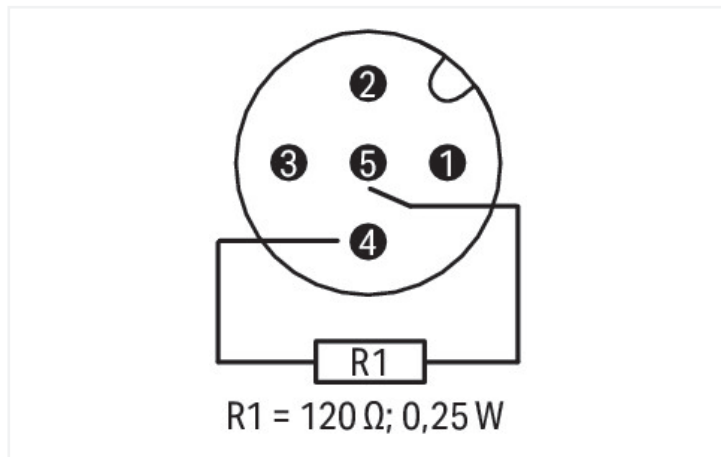


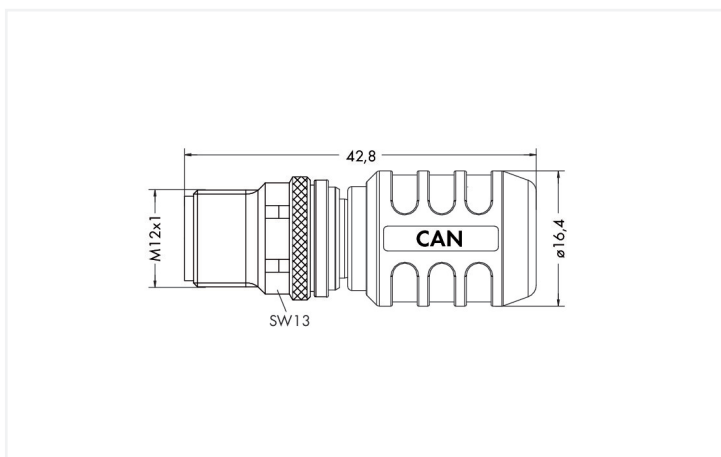
Data Sheet | Item Number: 756-9209/060-000

Accessories; M12 plug, axial; 5-pole

<https://www.wago.com/756-9209/060-000>



Similar to illustration



Dimensions in mm

Technical data

Connection type	M12 plug
Pole number	5
Connector interface coding (cable/adapter) 1 1	A-coded
Communication/fieldbus	CANopen

Mechanical data

Dichtungsmaterial	Sealing ring: neoprene; O-ring: Viton
Weight	16 g

Environmental requirements

Protection type	IP67
Fire load	0 MJ

Commercial data

eCl@ss 10.0	27-24-26-92
eCl@ss 9.0	27-24-26-92
ETIM 8.0	EC002584
ETIM 7.0	EC002584
PU (SPU)	1 pcs
Packaging type	Box
Country of origin	DE
GTIN	4045454640248
Customs tariff number	85366990990

Environmental Product Compliance

CAS-No.	7439-92-1
REACH Candidate List Substance	Lead
RoHS Compliance Status	Compliant, No Exemption
SCIP notification number (Austria)	0fce2cf4-b9e1-4499-8edc-677833d7ccb8
SCIP notification number (Belgium)	5de6b492-df42-40c8-b767-18bc5ee4b093
SCIP notification number (Bulgaria)	e5ee2bd6-065f-4b1b-bb0b-29b4877e029e
SCIP notification number (Czech Republic)	a967ea0e-7617-49f4-a0bc-6c05888445e2
SCIP notification number (Denmark)	e8f3f17d-7825-4367-84ae-ca5b08ef85d1
SCIP notification number (Finland)	2e4f6bd1-246f-432b-a178-dc50c391f9a9
SCIP notification number (France)	9726837d-aa6c-4503-aaaf-4b11bfa9252c
SCIP notification number (Germany)	8843682d-db3e-4785-a9c2-9e020eefcad6
SCIP notification number (Hungary)	7d5eff0f-5a87-4f86-95dd-c11e02eea3ac
SCIP notification number (Italy)	fa79bade-006d-44be-9e1d-72ac56420403
SCIP notification number (Netherlands)	f320784d-e988-43d4-8379-e1afb1302613
SCIP notification number (Poland)	d607b07b-c1e1-4232-9a96-fc0353070cb0
SCIP notification number (Romania)	3728a709-f0c5-4697-9aff-f9a808e3ab48
SCIP notification number (Sweden)	5f63e6b7-088b-46c9-8b69-ea5d8e42af6f

Downloads

Environmental Product Compliance

Compliance Search

Environmental Product
Compliance
756-9209/060-000



CAD/CAE-Data

CAE data

WSCAD Universe
756-9209/060-000

