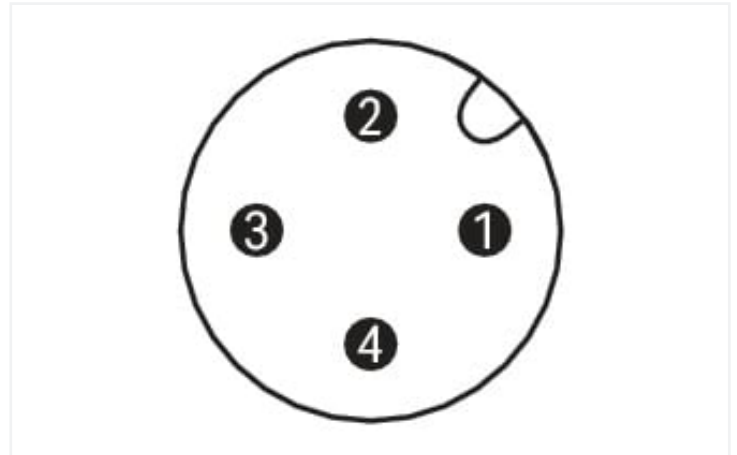
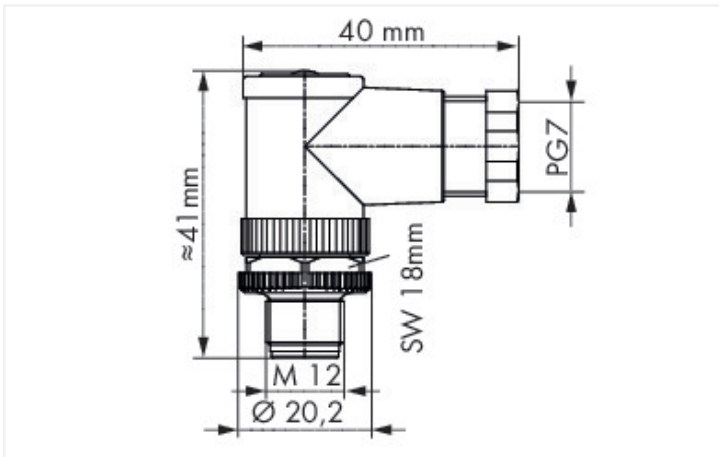


<https://www.wago.com/756-9205/040-000>



Similar to illustration



Dimensions in mm

Technical data

| | |
|--|----------|
| Connection type | M12 plug |
| Pole number | 4 |
| Cable connection direction to mating direction | 90° |
| Connector interface coding (cable/adaptor) 1 1 | A-coded |
| Contact resistance | ≤3 mΩ |

Connection data

| | |
|-------------------|---------------------------------------|
| Connection type 1 | Spring clamp technology |
| Solid conductor | 0.14 ... 0.5 mm ² / 20 AWG |

Mechanical data

| | |
|-------------------------------------|----------------------------------|
| Connectable sheathed cable diameter | 4 ... 6 mm |
| Housing material | Polybutylene terephthalate (PBT) |
| Contact material | CuZn |
| Contact plating | Gold |
| Dichtungsmaterial | Seal: Neoprene |
| Mating cycles (max.) | 100 |
| Weight | 18 g |

Environmental requirements

| | |
|---------------------------------|-----------------|
| Ambient temperature (operation) | -25 ... +85 °C |
| Protection type | IP67 |
| Note on protection type | in locked state |
| Pollution degree | 3 |
| Fire load | 0 MJ |

Commercial data

| | |
|-----------------------|---------------|
| eCl@ss 10.0 | 27-24-26-92 |
| eCl@ss 9.0 | 27-24-26-92 |
| ETIM 8.0 | EC002584 |
| ETIM 7.0 | EC002584 |
| PU (SPU) | 5 pcs |
| Packaging type | Box |
| Country of origin | DE |
| GTIN | 4044918977456 |
| Customs tariff number | 85366990990 |

Environmental Product Compliance

| | |
|---|--------------------------------------|
| CAS-No. | 96-45-7 |
| REACH Candidate List Substance | Ethylene thiourea |
| RoHS Compliance Status | Compliant, No Exemption |
| SCIP notification number (Austria) | 32fb31ab-fbb4-46ce-9e3e-1d27ff242b02 |
| SCIP notification number (Belgium) | 1aece05c-4212-4795-b5ae-57e8e18a2d7d |
| SCIP notification number (Bulgaria) | a6930a51-1fce-446b-9050-9ba7d965e96e |
| SCIP notification number (Czech Republic) | 981210fb-6abe-4db1-8158-1e2a38c3323b |
| SCIP notification number (Denmark) | b460719d-c5ec-4d5e-b378-711e24e012ff |
| SCIP notification number (Finland) | 95f6fc4d-2165-436e-8d01-93637165e598 |
| SCIP notification number (France) | 15008f56-eb30-4a0e-b9cd-670171a28668 |
| SCIP notification number (Germany) | c1124f52-97ee-4cae-9e0e-beb6964b2648 |
| SCIP notification number (Hungary) | d6fbc63-806e-4b0b-9a1c-0663c3ee80af |
| SCIP notification number (Italy) | 6b189405-1113-458a-9b93-a4076f6d37c5 |
| SCIP notification number (Netherlands) | 6b77785c-85a1-4221-9bc7-fb790a4008ea |
| SCIP notification number (Poland) | 828ecbe6-dd61-424c-bb40-bf7c8cf0f021 |
| SCIP notification number (Romania) | 0f8cbbd0-808c-4c83-80b3-ac099fbb415b |
| SCIP notification number (Sweden) | 2106d429-523b-4717-a922-11a0e7616dee |

Downloads

Environmental Product Compliance

Compliance Search

Environmental Product
Compliance
756-9205/040-000



Documentation

System Description

IP67 Cables and Plug-
gable Connectors

pdf
157.80 KB



Bid Text

756-9205/040-000

19.02.2019

xml
2.69 KB



756-9205/040-000

20.09.2017

doc
24.00 KB



CAD/CAE-Data

CAE data

WSCAD Universe
756-9205/040-000

