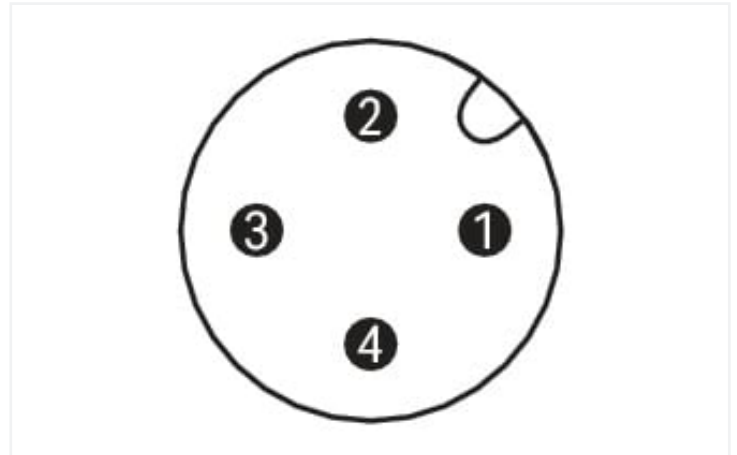


Data Sheet | Item Number: 756-9202/040-000

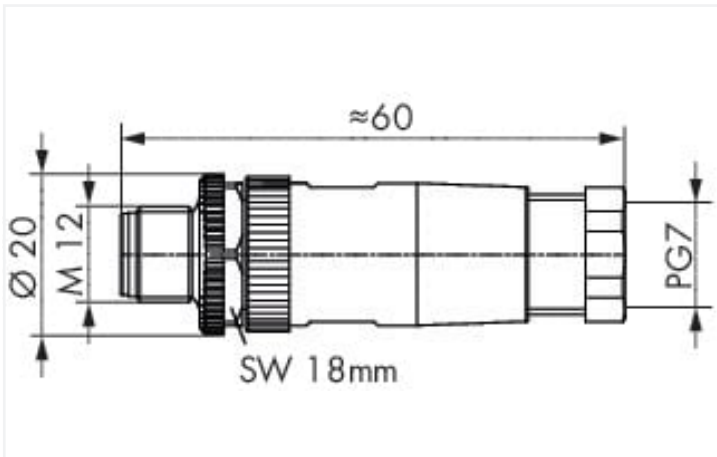
Fitted pluggable connector; 4-pole; M12 plug, straight, A-coded; Spring



<https://www.wago.com/756-9202/040-000>



Similar to illustration



Dimensions in mm

Technical data

| | |
|--|----------|
| Connection type | M12 plug |
| Pole number | 4 |
| Cable connection direction to mating direction | 0° |
| Connector interface coding (cable/adaptor) 1 1 | A-coded |
| Contact resistance | ≤3 mΩ |

Connection data

| | |
|-------------------|---------------------------------------|
| Connection type 1 | Spring clamp technology |
| Solid conductor | 0.14 ... 0.5 mm ² / 20 AWG |

Mechanical data

| | |
|-------------------------------------|----------------|
| Connectable sheathed cable diameter | 4 ... 6 mm |
| Housing material | PA |
| Contact material | CuZn |
| Contact plating | Gold |
| Dichtungsmaterial | Seal: Neoprene |
| Mating cycles (max.) | 100 |
| Weight | 24 g |

Environmental requirements

| | |
|---------------------------------|-----------------|
| Ambient temperature (operation) | -25 ... +85 °C |
| Protection type | IP67 |
| Note on protection type | in locked state |
| Pollution degree | 3 |
| Fire load | 0 MJ |

Commercial data

| | |
|-----------------------|---------------|
| eCl@ss 10.0 | 27-24-26-92 |
| eCl@ss 9.0 | 27-24-26-92 |
| ETIM 8.0 | EC002584 |
| ETIM 7.0 | EC002584 |
| PU (SPU) | 5 pcs |
| Packaging type | Box |
| Country of origin | DE |
| GTIN | 4044918977425 |
| Customs tariff number | 85366990990 |

Environmental Product Compliance

| | |
|---|--------------------------------------|
| CAS-No. | 96-45-7 |
| REACH Candidate List Substance | Ethylene thiourea |
| RoHS Compliance Status | Compliant, No Exemption |
| SCIP notification number (Austria) | 99cedca6-7e6a-4ed6-bcdc-45c9efa95cd1 |
| SCIP notification number (Belgium) | 347fff70-21f7-4333-9dbe-a8843a1d509e |
| SCIP notification number (Bulgaria) | 52acd581-87ea-4620-bdd6-79fe863005ff |
| SCIP notification number (Czech Republic) | 5c04ba1a-65d0-490f-bc42-e1a4fce22082 |
| SCIP notification number (Denmark) | 503a8546-91d8-4af6-b2ae-5f4325a0eae4 |
| SCIP notification number (Finland) | 016de656-667c-4168-b8ba-721b302b50e2 |
| SCIP notification number (France) | 22ac824b-27ff-4626-9b2a-26eb063a72d0 |
| SCIP notification number (Germany) | 67dc9bda-f4b2-43cc-bb39-ff9ce14fed54 |
| SCIP notification number (Hungary) | 3fd9baaa-6555-4c99-9c4e-834d92d0aa28 |
| SCIP notification number (Italy) | 8a03b865-a8d4-4c1b-b2a4-727ad1a5b17a |
| SCIP notification number (Netherlands) | 695242f9-d2fa-46a6-aeed-cc2a0ed59d80 |
| SCIP notification number (Poland) | cb5bfe25-1b02-4f4a-aeed-bf15e5394a91 |
| SCIP notification number (Romania) | f0c08267-82b4-4a73-a938-ae8fdac31b89 |
| SCIP notification number (Sweden) | dbb466ca-ce00-41c9-8238-5bb9a196462e |

Downloads

Environmental Product Compliance

| Compliance Search | |
|--|-------------------|
| Environmental Product Compliance 756-9202/040-000 | ↓ |

Documentation

| System Description | |
|---------------------------------------|---------------------------------------|
| IP67 Cables and Plug-gable Connectors | pdf 157.80 KB ↓ |

| Bid Text | | | |
|------------------|------------|-----------------|-------------------|
| 756-9202/040-000 | 20.09.2017 | doc 24.00 KB | ↓ |
| 756-9202/040-000 | 19.02.2019 | xml 2.69 KB | ↓ |

CAD/CAE-Data

| CAE data | |
|------------------------------------|-------------------|
| WSCAD Universe 756-9202/040-000 | ↓ |