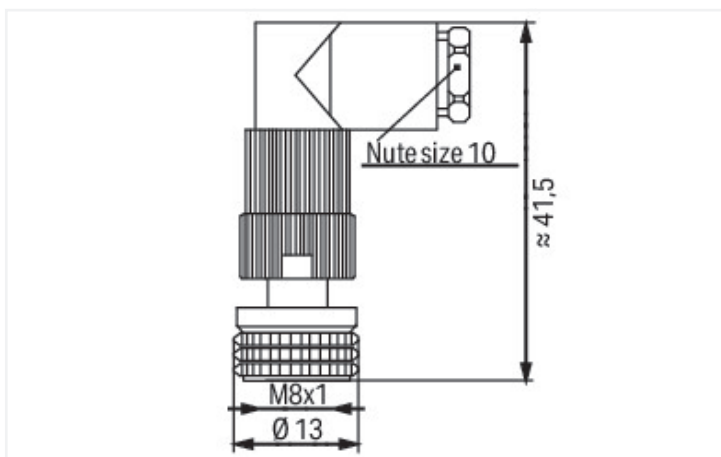
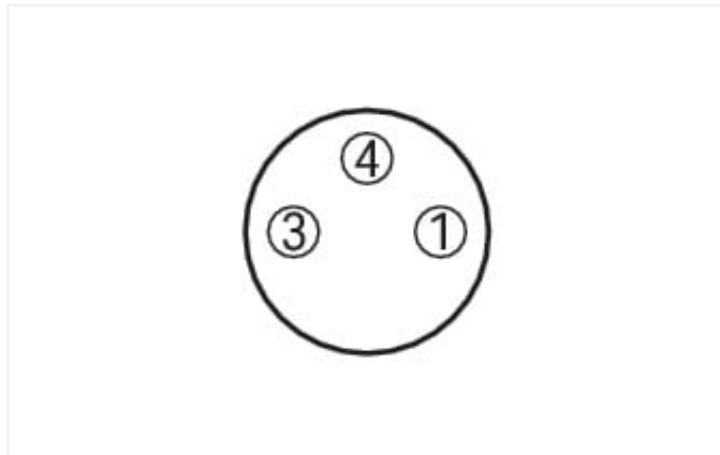


# Data Sheet | Item Number: 756-9115/030-000

Fitted pluggable connector; 3-pole; M8 socket, right angle; IDC technology

<https://www.wago.com/756-9115/030-000>



Dimensions in mm

## Technical data

Connection type	M8 socket
Pole number	3
Cable connection direction to mating direction	90°

## Connection data

Connection type 1	Pin penetration technology
Solid conductor	0.14 ... 0.34 mm <sup>2</sup>

## Mechanical data

Connectable sheathed cable diameter	4 ... 5 mm
Weight	14.3 g



**Environmental requirements**

Protection type	IP67
Fire load	0 MJ

**Commercial data**

eCl@ss 10.0	27-24-26-92
eCl@ss 9.0	27-24-26-92
ETIM 8.0	EC002584
ETIM 7.0	EC002584
PU (SPU)	5 pcs
Packaging type	Box
Country of origin	DE
GTIN	4045454983338
Customs tariff number	85366990990

**Environmental Product Compliance**

RoHS Compliance Status	Compliant, No Exemption
------------------------	-------------------------

**Downloads**

**Environmental Product Compliance**

<b>Compliance Search</b>	
Environmental Product Compliance 756-9115/030-000	<a href="#">↓</a>

**Documentation**

System Description			Bid Text			
IP67 Cables and Plug-gable Connectors	pdf 157.80 KB	<a href="#">↓</a>	756-9115/030-000	19.02.2019	xml 2.69 KB	<a href="#">↓</a>
			756-9115/030-000	20.09.2017	doc 24.00 KB	<a href="#">↓</a>

**CAD/CAE-Data**

<b>CAE data</b>	
WSCAD Universe 756-9115/030-000	<a href="#">↓</a>

Subject to changes. Please also observe the further product documentation!

Current addresses can be found at: [www.wago.com](http://www.wago.com)