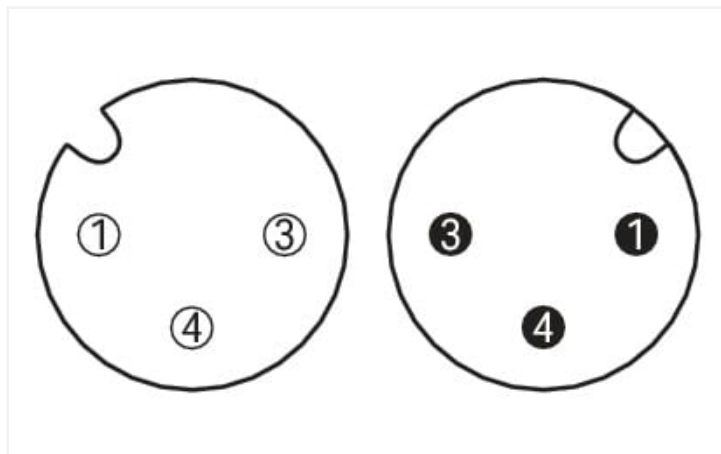


# Data Sheet | Item Number: 756-6403/030-050

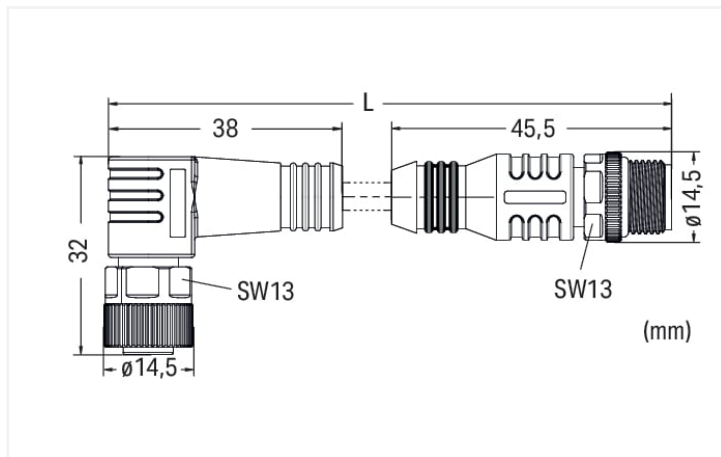
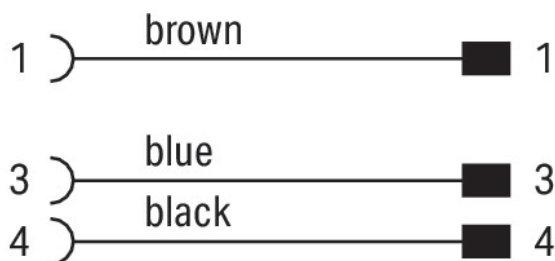
Sensor/Actuator cable; M12A socket; angled; M12A plug; straight; 3-pole; Length: 5 m

<https://www.wago.com/756-6403/030-050>



Similar to illustration

Pin 1 ... 4: 0.34 mm<sup>2</sup>



## Technical data

### General information

Operating voltage	300 VDC
Protection type	IP67
Ambient (operating) temperature (static)	-40 ... +80 °C
Ambient (operating) temperature (dynamic)	-20 ... +60 °C

### Cable

Cable length	5 m
Sheathed cable color	black
Sheathed cable diameter	3.8 mm

### Connector

Connection type	M12 Socket - M12 plug
Pole number	3
Cable connection direction to mating direction	90°
Cable connection direction to mating direction (2)	0°
Connector interface coding (cable/adaptor) 1 1	A-coded
Connector interface coding (cable/adaptor) 1 2	A-coded



**Commercial data**

PU (SPU)	1 pcs
Country of origin	CN
GTIN	4066966489392
Customs tariff number	85444290900

**Environmental Product Compliance**

RoHS Compliance Status	Compliant, No Exemption
------------------------	-------------------------

**Downloads**

**Environmental Product Compliance**

Compliance Search	
Environmental Product Compliance 756-6403/030-050	