

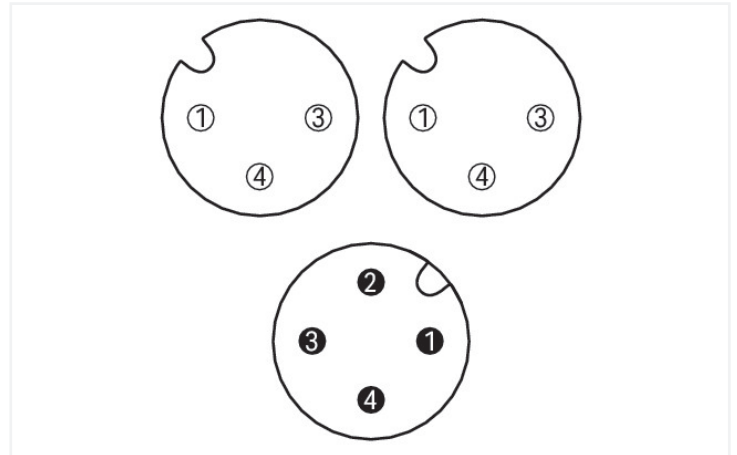
Data Sheet | Item Number: 756-5516/040-020

Sensor/Actuator cable; 2xM12 socket; straight; M12A plug; straight; 4-pole; Length: 2 m

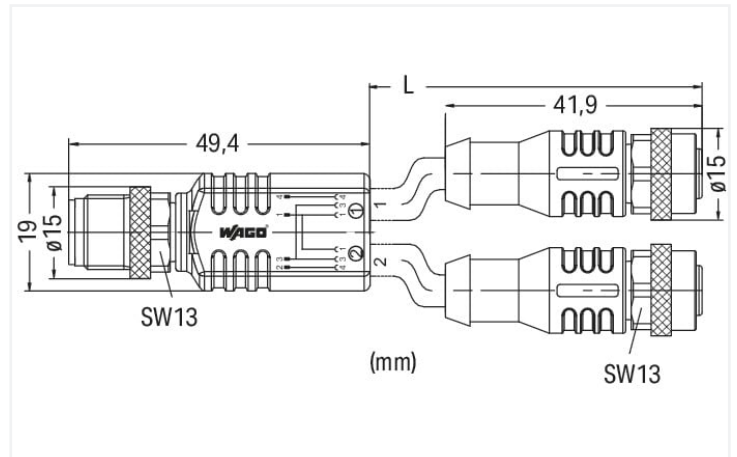
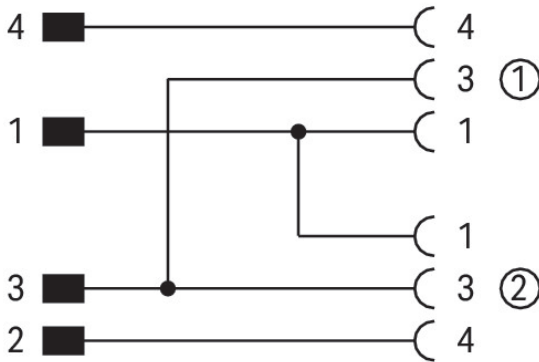
<https://www.wago.com/756-5516/040-020>



Similar to illustration



Pin 1 ... 4: 0,34 mm²



Dimensions in mm

Short description:

- PUR, halogen-free
- Suitable for drag chains
- High resistance to microbes, hydrolysis, oil, chemicals and UV radiation
- High chemical resistance
- Cable used: UL listed

Technical data

General information

Operating voltage	250 VAC/DC
Operating current	4 A
Rated surge voltage	2.5 kV
Insulation resistance	>10 ⁹ Ω
Contact resistance	10 mΩ
Conductor resistance	≤ 60 Ω/km
Pollution degree	3 per VDE 0110
Protection type	IP67
Ambient (operating) temperature (static)	-50 ... +90 °C
Ambient (operating) temperature (dynamic)	-25 ... +90 °C

Drag chain compatible

Bending radius	10 x cable diameter (min.)
Bending cycles	2 million
Acceleration (min.)	5 m/s ²
Travel speed (max.)	3.33 m/s
Travel path (horizontal) max.	5 m
Travel path (vertical) max.	2 m
Torsional capacity	180 °/m

Cable		Connector	
Cable length	2 m	Connection type	M12 Socket; M12 Socket - M12 plug
Type code	LiF9YH-11YH or LiF9YC11YFHF	Pole number	4
Conductor configuration	Bare copper wire, fine-stranded (42 x 0.1 mm)	Cable connection direction to mating direction	0 °
Conductor insulation	PP9Y (halogen-free)	Cable connection direction to mating direction (2)	0 °
Sheath material	Polyurethane (PUR), halogen-free per DIN VDE 0472 Part 815, flame resistant per IEC 332-2, self-extinguishing	Connector interface coding (cable/adapter) 1 1	A-coded
Sheathed cable color	black	Connector interface coding (cable/adapter) 1 2	A-coded
Sheathed cable diameter	4.5 ... 4.9 mm	Connector interface coding (cable/adapter) 2 1	A-coded
		Housing material	Polyurethane (PUR)
		Contact material	CuSn
		Tightening torque	1 Nm

Commercial data	
eCl@ss 10.0	27-06-03-11
eCl@ss 9.0	27-06-03-11
ETIM 8.0	EC001855
ETIM 7.0	EC001855
PU (SPU)	10 (1) pcs
Packaging type	Box
Country of origin	DE
GTIN	4044918994873
Customs tariff number	85444290900

Environmental Product Compliance	
CAS-No.	7439-92-1
REACH Candidate List Substance	Lead
RoHS Compliance Status	Compliant,With Exemption
RoHS Exemption	6(c)
SCIP notification number (Austria)	7eb725b4-c651-4909-8d5b-00f4f181fd54
SCIP notification number (Belgium)	cdae3aea-db21-40c6-82b9-5a2666c11de5
SCIP notification number (Bulgaria)	e5c860c1-e792-4b72-bc5b-5811692ec369
SCIP notification number (Czech Republic)	72b06e4b-669d-4ddf-8183-fdeedc51bc90
SCIP notification number (Denmark)	c36fe627-d38f-41e8-8e47-9950f7452ac0
SCIP notification number (Finland)	01e10e18-e218-485c-b91b-02e241d85a66
SCIP notification number (France)	92fc79ec-dc9a-49a2-8709-1e83be010fd9
SCIP notification number (Germany)	6a33c669-5621-447a-a131-144c418d2b08
SCIP notification number (Hungary)	35fc1119-7c06-4979-b933-8e6326997675
SCIP notification number (Italy)	022f5c5a-f18f-41a3-955c-a894b9eab1f2
SCIP notification number (Netherlands)	a41ec58a-56f3-46a1-8fa7-caf25fa51cdf
SCIP notification number (Poland)	6e7c30f9-c424-433d-9981-6f940106ff08
SCIP notification number (Romania)	f6f0998b-cbc5-4b99-abc1-2cbc7520c9ac
SCIP notification number (Sweden)	6ed8c819-efa7-4101-bfb6-6197b3716c21

Downloads

Environmental Product Compliance

Compliance Search

Environmental Product Compliance
756-5516/040-020



Documentation

System Description

IP67 Cables and Plug-gable Connectors

pdf
157.80 KB



Bid Text

756-5516/040-020

19.02.2019

xml
3.14 KB



756-5516/040-020

20.09.2017

doc
26.50 KB



CAD/CAE-Data

CAE data

WSCAD Universe
756-5516/040-020

