

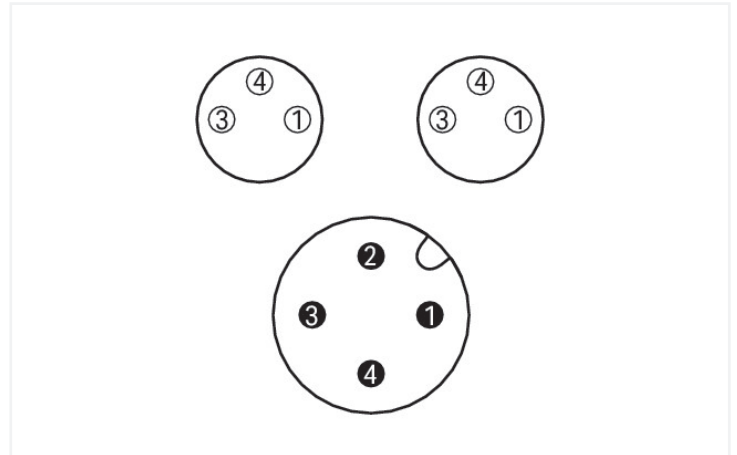
Data Sheet | Item Number: 756-5513/040-020

Sensor/Actuator cable; 2xM8 socket; straight; M12A plug; straight; 4-pole; Length: 2 m

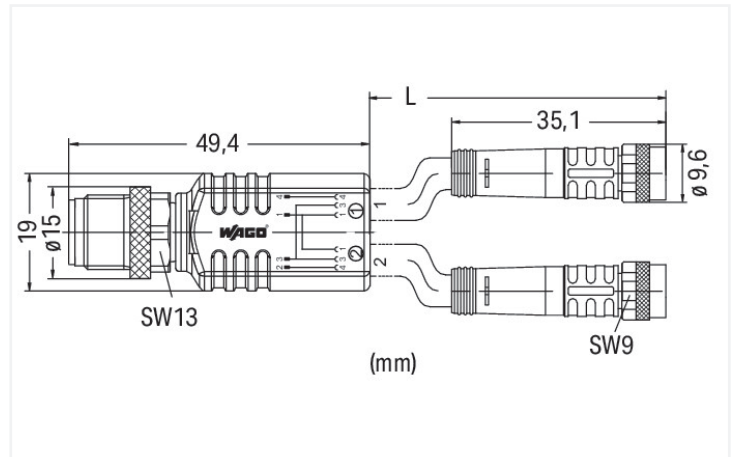
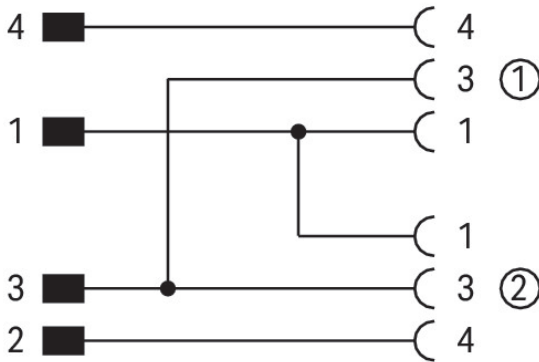
<https://www.wago.com/756-5513/040-020>



Similar to illustration



Pin 1 ... 4: 0,25 mm²



Dimensions in mm

Short description:

- PUR, halogen-free
- Suitable for drag chains
- High resistance to microbes, hydrolysis, oil, chemicals and UV radiation
- High chemical resistance
- Cable used: UL listed

Technical data

General information

Operating voltage	60 VAC/DC
Operating current	4 A
Rated surge voltage	1.5 kV
Insulation resistance	>10 ⁹ Ω
Contact resistance	10 mΩ
Conductor resistance	≤ 60 Ω/km
Pollution degree	3 per VDE 0110
Protection type	IP67
Ambient (operating) temperature (static)	-50 ... +90 °C
Ambient (operating) temperature (dynamic)	-25 ... +90 °C

Drag chain compatible

Bending radius	10 x cable diameter (min.)
Bending cycles	2 million
Acceleration (min.)	5 m/s ²
Travel speed (max.)	3.33 m/s
Travel path (horizontal) max.	5 m
Travel path (vertical) max.	2 m
Torsional capacity	180 °/m

Cable	
Cable length	2 m
Type code	LiF9YH-11YH or LiF9YC11YFHF
Conductor configuration	Bare copper wire, fine-stranded (42 x 0.1 mm)
Conductor insulation	PP9Y (halogen-free)
Sheath material	Polyurethane (PUR), halogen-free per DIN VDE 0472 Part 815, flame resistant per IEC 332-2, self-extinguishing
Sheathed cable color	black
Sheathed cable diameter	3.9 ... 4.3 mm

Connector	
Connection type	M8 socket; M8 socket - M12 plug
Pole number	4
Cable connection direction to mating direction	0 °
Cable connection direction to mating direction (2)	0 °
Connector interface coding (cable/adapter) 2 1	A-coded
Housing material	Polyurethane (PUR)
Contact material	CuSn
Tightening torque	0.6 ... 1 Nm

Commercial data

eCl@ss 10.0	27-06-03-11
eCl@ss 9.0	27-06-03-11
ETIM 8.0	EC001855
ETIM 7.0	EC001855
PU (SPU)	10 (1) pcs
Packaging type	Box
Country of origin	DE
GTIN	4044918994828
Customs tariff number	85444290900

Environmental Product Compliance

CAS-No.	7439-92-1
REACH Candidate List Substance	Lead
RoHS Compliance Status	Compliant,With Exemption
RoHS Exemption	6(c)
SCIP notification number (Austria)	8f24bd5b-d1ce-4750-b6d5-f81fa8f81b4d
SCIP notification number (Belgium)	2a69b989-7943-4cce-859e-ed1ec1dea01f
SCIP notification number (Bulgaria)	3bdf01cc-d9d1-4ad1-84b7-0b3457d4e4a8
SCIP notification number (Czech Republic)	a307a410-f194-4907-a045-f8b7be3fcb2d
SCIP notification number (Denmark)	f9d55cde-a6e2-49c2-8ac9-f8e83b7329f4
SCIP notification number (Finland)	d6ddf9a1-7eae-46ed-a570-5eb101fedd1a
SCIP notification number (France)	b5cc3d1b-616c-4c5f-ac2a-2577cd10dc7d
SCIP notification number (Germany)	9a557481-c4c7-4672-881a-433c90fd9775
SCIP notification number (Hungary)	0a380dd1-6278-4d11-b33a-0bf911098719
SCIP notification number (Italy)	ee1c3748-7cc6-4cd5-a6a4-4648462d0ec1
SCIP notification number (Netherlands)	0a6ffc85-1b76-43f5-9763-cc82278c3f40
SCIP notification number (Poland)	9902210e-d011-4969-a474-28323816abcb
SCIP notification number (Romania)	a98d18f4-e67f-4313-b44b-8dd7c6af4cad
SCIP notification number (Sweden)	b2aff29e-f208-41e2-8af9-3c92f2e9fb36

Downloads

Environmental Product Compliance

Compliance Search

Environmental Product
Compliance
756-5513/040-020



Documentation

System Description

IP67 Cables and Plug-
gable Connectors

pdf
157.80 KB



Bid Text

756-5513/040-020

19.02.2019

xml
3.13 KB



756-5513/040-020

20.09.2017

doc
26.50 KB



CAD/CAE-Data

CAE data

WSCAD Universe
756-5513/040-020

