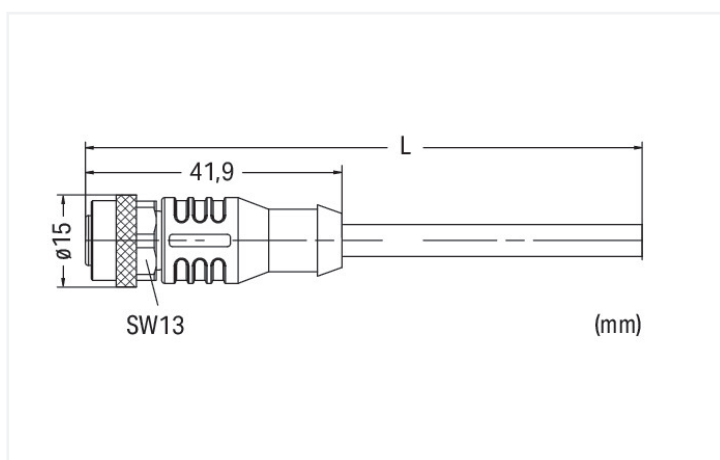
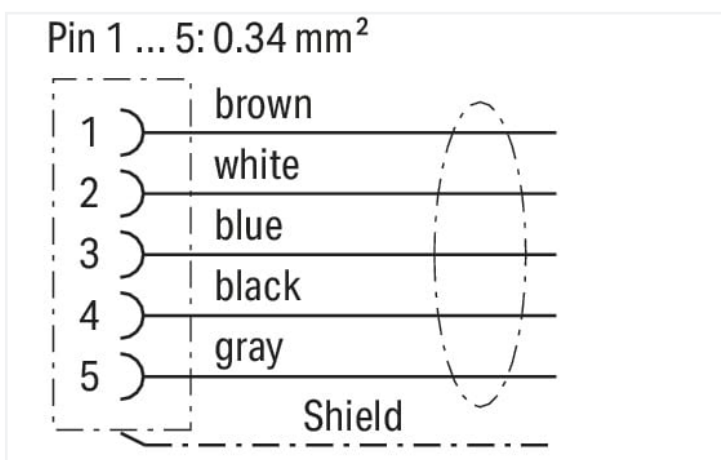


Similar to illustration



Dimensions in mm

Short description:

- PUR, halogen-free
- Suitable for drag chains
- High resistance to microbes, hydrolysis, oil, chemicals and UV radiation
- High chemical resistance
- Cable used: UL listed

Technical data

General information	
Operating voltage	250 VAC/DC
Operating current	4 A
Rated surge voltage	1.5 kV
Insulation resistance	≥1.6 x 10 ¹⁰ Ω/km
Contact resistance	10 mΩ
Conductor resistance	< 57 Ω/km
Pollution degree	3 per VDE 0110
Protection type	IP67
Ambient (operating) temperature (static)	-50 ... +90 °C
Ambient (operating) temperature (dynamic)	-25 ... +90 °C

Drag chain compatible	
Bending radius	Fixed: >4xØ; Flexible: >7.5xØ
Bending cycles	2 million
Acceleration (min.)	10 m/s ²
Travel speed (max.)	4 m/s
Travel path (horizontal) max.	15 m
Torsional capacity	180 °/m

Other properties

Note	Silicone-free, CFC-free, microbe and hydrolysis resistant, oil resistant
------	--

Cable

Cable length	1.5 m
Type code	Li9YC11Y-HF 5x0.34 mm ²
Overall shield	Tinned copper braid, optical coverage approx. 80 %
Conductor configuration	Bare copper wire (7 x 0.25 mm)
Conductor insulation	Halogen-free PE
Sheath material	Polyurethane (PUR), halogen-free per DIN VDE 0472 Part 815, flame resistant per IEC 332-2, self-extinguishing
Sheathed cable color	black
Sheathed cable diameter	6.3 ... 6.7 mm

Connector

Connection type	M12 Socket - free end
Pole number	5
Cable connection direction to mating direction	0 °
Connector interface coding (cable/adapter) 1 1	A-coded
Housing material	Polyurethane (PUR)
Contact material	CuSn
Tightening torque	1 Nm

Commercial data

eCl@ss 10.0	27-06-03-11
eCl@ss 9.0	27-06-03-11
ETIM 8.0	EC001855
ETIM 7.0	EC001855
PU (SPU)	1 pcs
Packaging type	Box
Country of origin	HU
GTIN	4045454724696
Customs tariff number	85444290900

Environmental Product Compliance

CAS-No.	7439-92-1
REACH Candidate List Substance	Lead
RoHS Compliance Status	Compliant,With Exemption
RoHS Exemption	6(c)
SCIP notification number (Austria)	0df4e079-e912-4995-88d8-fd68c6756413
SCIP notification number (Belgium)	0608a084-9ba2-4344-91a5-8bf7a2165c80
SCIP notification number (Bulgaria)	6715e334-1fd5-412e-965a-81caae2c9409
SCIP notification number (Czech Republic)	fe556391-64fd-4ea1-9bbb-6733c149fa9f
SCIP notification number (Denmark)	6976b0ab-c507-4c32-9930-f8e3928a6e13
SCIP notification number (Finland)	a95c2bf4-9dfd-43ed-beb2-2b010ea45394
SCIP notification number (France)	b52fc822-3514-4441-be84-f5e000a28810
SCIP notification number (Germany)	e725df6e-b606-42f9-848f-33c6c27ce3f4
SCIP notification number (Hungary)	d30feb1c-d88c-4cde-a1c3-107cc9075909
SCIP notification number (Italy)	185ded19-076e-4ef7-b768-85b74b900d26
SCIP notification number (Netherlands)	41f030c4-b6e0-4ddd-8f2f-4ca42a74c76d
SCIP notification number (Poland)	bd019a03-292e-42d1-a2fa-ef55598f8e01
SCIP notification number (Romania)	f1355b57-56e4-4779-b19e-49d410e2d9d0
SCIP notification number (Sweden)	63b7cc67-71b6-4848-91be-13e495424c5a

Approvals / Certificates

General approvals



Approval	Standard	Certificate Name
UL Underwriters Laboratories Inc.	UL 2238	E519602

Downloads

Environmental Product Compliance

Compliance Search

Environmental Product Compliance 756-5301/060-015	↓
---	---

Documentation

System Description

IP67 Cables and Plug- gable Connectors	pdf 157.80 KB	↓
---	------------------	---

Bid Text

756-5301/060-015	19.02.2019	xml 3.28 KB	↓
756-5301/060-015	20.09.2017	doc 26.50 KB	↓

CAD/CAE-Data

CAE data

WSCAD Universe 756-5301/060-015	↓
------------------------------------	---

Subject to changes. Please also observe the further product documentation!

Current addresses can be found at: www.wago.com