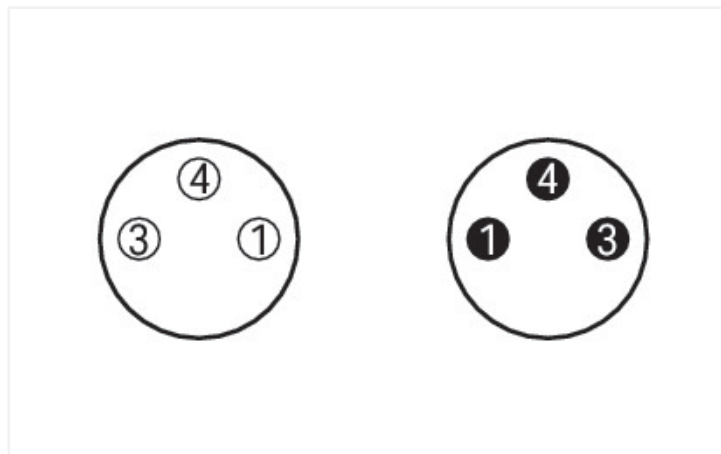


Data Sheet | Item Number: 756-5202/030-010

Sensor/Actuator cable; M8 socket; straight; M8 plug; angled; 3-pole; Length: 1 m

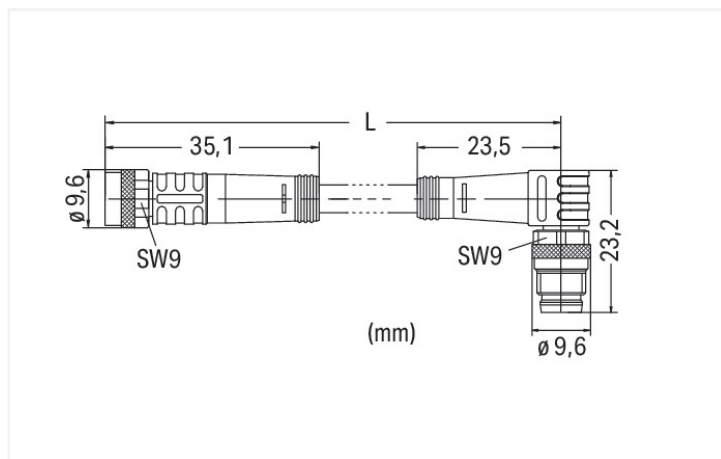
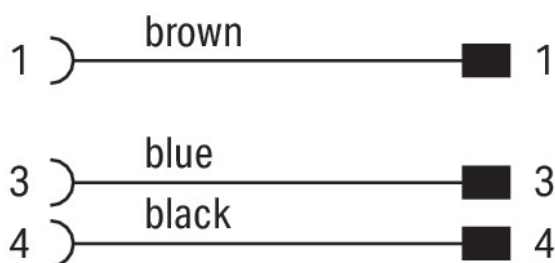


<https://www.wago.com/756-5202/030-010>



Similar to illustration

Pin 1 ... 4: 0.25 mm²



Dimensions in mm

Short description:

- PUR, halogen-free
- Suitable for drag chains
- High resistance to microbes, hydrolysis, oil, chemicals and UV radiation
- High chemical resistance
- Cable used: UL listed

Technical data

General information

Operating voltage	60 VAC/DC
Operating current	4 A
Rated surge voltage	1.5 kV
Insulation resistance	> 10 ⁹ Ω
Contact resistance	10 mΩ
Conductor resistance	≤ 60 Ω/km
Pollution degree	3 per VDE 0110
Protection type	IP67
Ambient (operating) temperature (static)	-50 ... +90 °C
Ambient (operating) temperature (dynamic)	-25 ... +90 °C

Drag chain compatible

Bending radius	10 x cable diameter (min.)
Bending cycles	2 million
Acceleration (min.)	5 m/s ²
Travel speed (max.)	3.33 m/s
Travel path (horizontal) max.	5 m
Travel path (vertical) max.	2 m
Torsional capacity	180 °/m

Cable

Cable length	1 m
Type code	LiF9YH-11YH or LiF9YC11YFHF
Conductor configuration	Bare copper wire, fine-stranded (42 x 0.1 mm)
Conductor insulation	PP9Y (halogen-free)
Sheath material	Polyurethane (PUR), halogen-free per DIN VDE 0472 Part 815, flame resistant per IEC 332-2, self-extinguishing
Sheathed cable color	black
Sheathed cable diameter	3.9 ... 4.3 mm

Connector

Connection type	M8 socket - M8 plug
Cable connection direction to mating direction	0 °
Cable connection direction to mating direction (2)	90 °
Housing material	Polyurethane (PUR)
Contact material	CuSn
Tightening torque	0.6 Nm

Commercial data

eCl@ss 10.0	27-06-03-11
eCl@ss 9.0	27-06-03-11
ETIM 8.0	EC001855
ETIM 7.0	EC001855
PU (SPU)	10 (1) pcs
Packaging type	Box
Country of origin	DE
GTIN	4044918974578
Customs tariff number	85444290900

Environmental Product Compliance

CAS-No.	7439-92-1
REACH Candidate List Substance	Lead
RoHS Compliance Status	Compliant,With Exemption
RoHS Exemption	6(c)
SCIP notification number (Austria)	6a4774c4-8f01-4961-98d8-f0974fed2fba
SCIP notification number (Belgium)	5ca78889-9477-407e-ad4a-4fc337775556
SCIP notification number (Bulgaria)	d01ec0bb-7ad8-4f43-9697-b9f2f0cd8c6b
SCIP notification number (Czech Republic)	8d274a1e-b8b0-4b88-9c9d-b34c85f451b7
SCIP notification number (Denmark)	a4dc4e43-174e-4e93-bc26-65a5e2bc82fa
SCIP notification number (Finland)	177022d2-63cc-4ac0-8824-e97f19258c16
SCIP notification number (France)	73f56c6d-0765-4798-8b35-4f8a954576b7
SCIP notification number (Germany)	aafe55cc-cf1a-4531-babf-bee0a6d19e22
SCIP notification number (Hungary)	ebc63f9a-fb18-4aaa-9ddc-82586dd4750b
SCIP notification number (Italy)	1b6c034a-0140-454c-b565-5a8bba23173d
SCIP notification number (Netherlands)	d42e7c41-6688-4a9a-a33e-0727fd18fa48
SCIP notification number (Poland)	de54d67a-3329-47b5-908e-68bc732456c1
SCIP notification number (Romania)	52bf8529-0e89-427b-bf3f-17fe9e98e519
SCIP notification number (Sweden)	67f199b4-4100-4ecf-af61-16965cb0ed74

Downloads

Environmental Product Compliance

Compliance Search

Environmental Product
Compliance
756-5202/030-010



Documentation

System Description

IP67 Cables and Plug-
gable Connectors

pdf
157.80 KB



Bid Text

756-5202/030-010

19.02.2019

xml
3.21 KB



756-5202/030-010

20.09.2017

doc
25.50 KB



CAD/CAE-Data

CAE data

WSCAD Universe
756-5202/030-010

