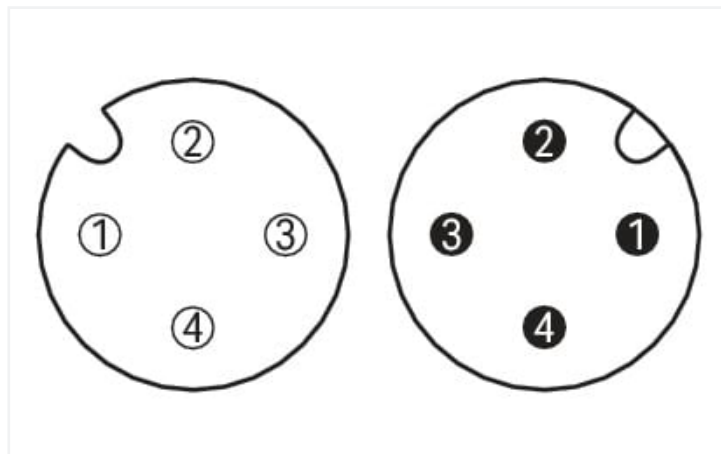


Data Sheet | Item Number: 756-3105/040-200

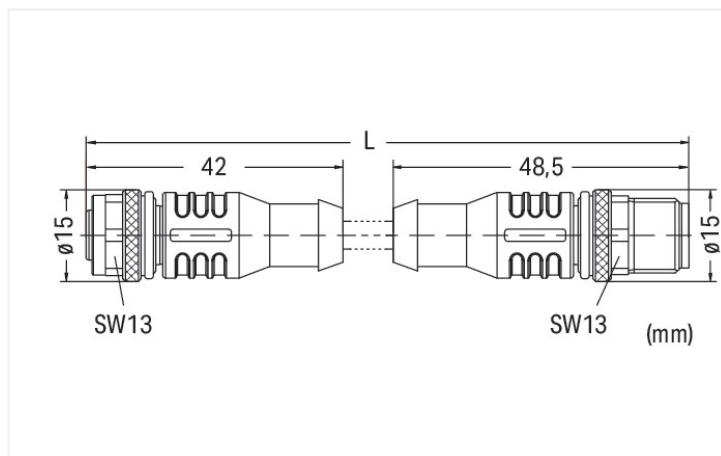
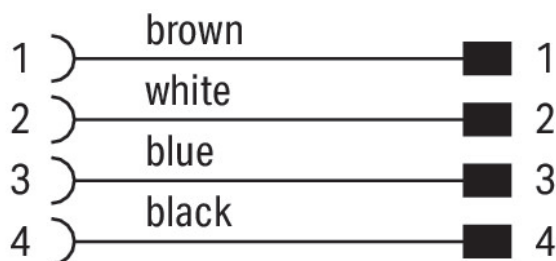
Power cable; M12A socket; straight; M12A plug; straight; 4-pole; Length: 20 m



<https://www.wago.com/756-3105/040-200>



Pin 1 ... 4: 0.75 mm²



Dimensions in mm

Short description:

- PUR, halogen-free
- UL / CSA
- Suitable for drag chains
- Silicon- and CFC-free
- High resistance to microbes, hydrolysis, oil, chemicals and UV radiation
- High chemical resistance
- Cable used: UL listed

Technical data

Connection type	M12 Socket - M12 plug
Pole number	4
Cable connection direction to mating direction	0°
Cable connection direction to mating direction (2)	0°
Connector interface coding (cable/adaptor) 1 1	A-coded
Connector interface coding (cable/adaptor) 2 1	A-coded
Cable length	20 m
PLC manufacturer	WAGO
Operating voltage	250 VAC/DC
Operating current	4 A
Rated surge voltage	2.5 kV
Contact resistance	10 mΩ
Insulation resistance	1000 MΩ
Conductor resistance	≤ 26 Ω/km

Mechanical data

Bending radius	10 x cable diameter (min.) for flexible application
Bending cycles	4 million
Drag chain capability	Yes
Sheathed cable diameter	6 ... 6.4 mm
Type code	Lif9YH-11YH 4x0.75 mm ²
Conductor configuration	Bare copper wire (40 x 0.15 mm)
Conductor insulation	PP9Y (halogen-free)
Housing material	TPU/TPU, black (~ RAL 9005)
Tightening torque	1 Nm
Weight	987 g

Environmental requirements

Ambient (operating) temperature (dynamic)	-30 ... +80 °C
Ambient (operating) temperature (static)	-30 ... +80 °C
Protection type	IP67
Pollution degree	3/2 per IEC 60664-1
Fire load	0 MJ

Commercial data

eCl@ss 10.0	27-06-18-01
eCl@ss 9.0	27-06-18-01
ETIM 8.0	EC001855
ETIM 7.0	EC003249
PU (SPU)	1 pcs
Packaging type	Box
Country of origin	DE
GTIN	4045454127015
Customs tariff number	85444290900

Environmental Product Compliance

CAS-No.	7439-92-1
REACH Candidate List Substance	Lead
RoHS Compliance Status	Compliant,With Exemption
RoHS Exemption	6(c)
SCIP notification number (Austria)	8d0d8272-d344-4bbf-9774-92030dd3bd27
SCIP notification number (Belgium)	14c71ce1-16aa-4962-9fda-1d31384b248e
SCIP notification number (Bulgaria)	cb1e275c-c596-4782-8c41-9078742e726f
SCIP notification number (Czech Republic)	62f20b04-7a82-466d-ab28-2c8dd1ad5fce
SCIP notification number (Denmark)	4657ca7a-2d4b-46a5-beff-215cff6c2f4c
SCIP notification number (Finland)	7d72dc71-3b70-4590-9655-92c961149cd9
SCIP notification number (France)	1beee4c-8fdd-4ba9-b5bf-c1985f5742da
SCIP notification number (Germany)	f564717f-493a-4839-a392-94697c3a10fc
SCIP notification number (Hungary)	bc9a4d5f-a4d3-437c-9495-3245971c80bd
SCIP notification number (Italy)	99dec03a-13e1-4893-9924-1352ee35e383
SCIP notification number (Netherlands)	95ac41b8-995d-46c1-af19-7e4ed7f1e30a
SCIP notification number (Poland)	c0c4185a-8c16-4dff-8e58-8af01dff70b0
SCIP notification number (Romania)	ba565332-727a-4c31-a938-7bdc74e819d9
SCIP notification number (Sweden)	328af77a-ec40-40c0-be6b-5e08fa0f71d0

Approvals / Certificates


General approvals




Approval	Standard	Certificate Name
UL Underwriters Laboratories Inc.	UL 2238	E519602

Downloads

Environmental Product Compliance

Compliance Search
Environmental Product Compliance 756-3105/040-200 

Documentation

System Description
I/O-SYSTEM – SPEED- WAY, General Product Information pdf 1035.20 KB 

CAD/CAE-Data

CAE data
WSCAD Universe 756-3105/040-200 