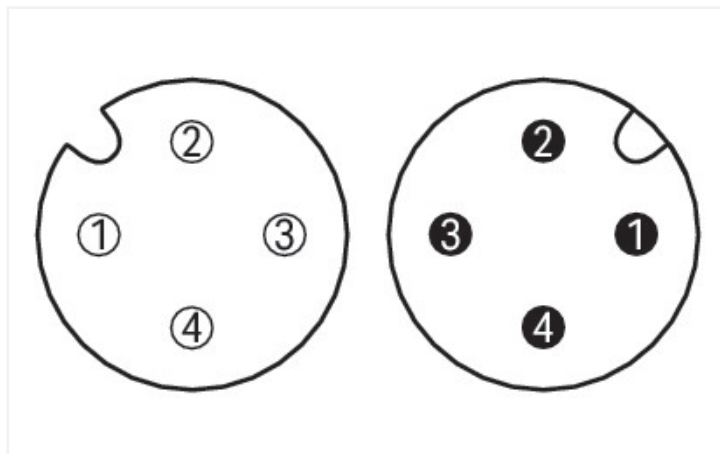


# Data Sheet | Item Number: 756-3105/040-002

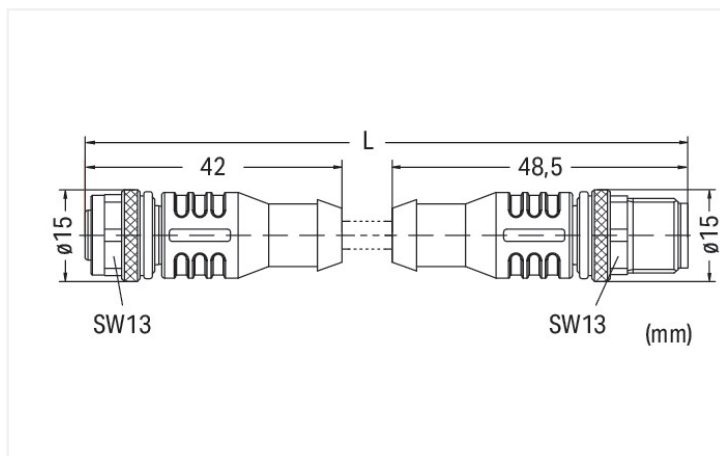
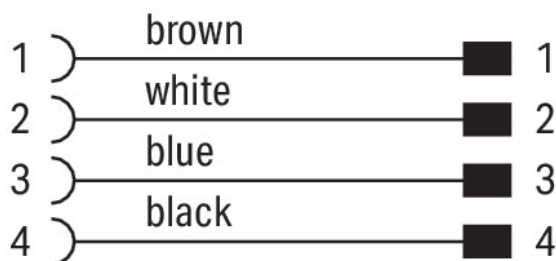
Power cable; M12A socket; straight; M12A plug; straight; 4-pole; Length 0.2 m



<https://www.wago.com/756-3105/040-002>



Pin 1 ... 4: 0.75 mm<sup>2</sup>



Dimensions in mm

## Short description:

- PUR, halogen-free
- UL / CSA
- Suitable for drag chains
- Silicon- and CFC-free
- High resistance to microbes, hydrolysis, oil, chemicals and UV radiation
- High chemical resistance
- Cable used: UL listed

## Technical data

Connection type	M12 Socket - M12 plug
Pole number	4
Cable connection direction to mating direction	0°
Cable connection direction to mating direction (2)	0°
Connector interface coding (cable/adaptor) 1 1	A-coded
Connector interface coding (cable/adaptor) 2 1	A-coded
Cable length	0.2 m
PLC manufacturer	WAGO
Operating voltage	250 VAC/DC
Operating current	4 A
Rated surge voltage	2.5 kV
Contact resistance	10 mΩ
Insulation resistance	1000 MΩ
Conductor resistance	≤ 26 Ω/km

### Mechanical data

Bending radius	10 x cable diameter (min.) for flexible application
Bending cycles	4 million
Drag chain capability	Yes
Sheathed cable diameter	6 ... 6.4 mm
Type code	Lif9YH-11YH 4x0.75 mm <sup>2</sup>
Conductor configuration	Bare copper wire (40 x 0.15 mm)
Conductor insulation	PP9Y (halogen-free)
Housing material	TPU/TPU, black (~ RAL 9005)
Tightening torque	1 Nm
Weight	35 g

### Environmental requirements

Ambient (operating) temperature (dynamic)	-30 ... +80 °C
Ambient (operating) temperature (static)	-30 ... +80 °C
Protection type	IP67
Pollution degree	3/2 per IEC 60664-1
Fire load	0 MJ

### Commercial data

eCl@ss 10.0	27-06-18-01
eCl@ss 9.0	27-06-18-01
ETIM 8.0	EC001855
ETIM 7.0	EC003249
PU (SPU)	1 pcs
Packaging type	Box
Country of origin	DE
GTIN	4045454126940
Customs tariff number	85444290900

### Environmental Product Compliance

CAS-No.	7439-92-1
REACH Candidate List Substance	Lead
RoHS Compliance Status	Compliant,With Exemption
RoHS Exemption	6(c)
SCIP notification number (Austria)	bcb3f286-74ca-4e96-8897-22d75ec26038
SCIP notification number (Belgium)	9bff40b3-e6a7-46f3-b65f-74befb165057
SCIP notification number (Bulgaria)	38890195-e2a4-49c7-acc6-66637fb9d52e
SCIP notification number (Czech Republic)	85dd4b54-e65f-4003-950e-ad71ccb1ab55
SCIP notification number (Denmark)	a409e124-edeb-4e64-87b1-b6c9c7e4375b
SCIP notification number (Finland)	9ece5692-a574-4926-91d1-36a28302f7b1
SCIP notification number (France)	e2a4966f-029f-41f0-92ab-5356565b9c86
SCIP notification number (Germany)	4db85101-99fb-4e18-b8fa-4390c6437007
SCIP notification number (Hungary)	636d5b03-5acf-4bac-b0b8-48b528d3d119
SCIP notification number (Italy)	2d0b8cd1-8a0c-4a5c-b155-a73689685a79
SCIP notification number (Netherlands)	e7ca02aa-8721-4b73-95e3-9bbaa3498cb0
SCIP notification number (Poland)	ffa6bcbe-8ce9-4cc8-b999-08163c50fe62
SCIP notification number (Romania)	ca76fd5b-89fa-4c0d-aeac-a65a6ae630be
SCIP notification number (Sweden)	e5764bd2-5bff-4d18-aa1d-2f8aef8485d0

### Approvals / Certificates

General approvals




Approval	Standard	Certificate Name
UL Underwriters Laboratories Inc.	UL 2238	E519602

Downloads

Environmental Product Compliance

Compliance Search
Environmental Product Compliance 756-3105/040-002 

Documentation

System Description
I/O-SYSTEM – SPEED- WAY, General Product Information pdf 1035.20 KB 

CAD/CAE-Data

CAE data
WSCAD Universe 756-3105/040-002 