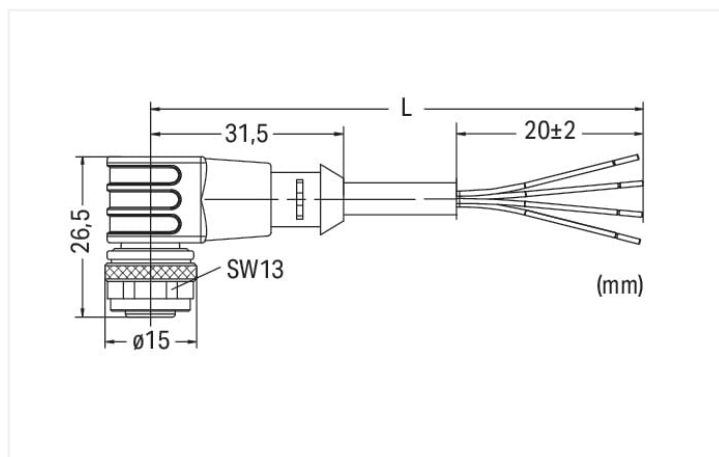
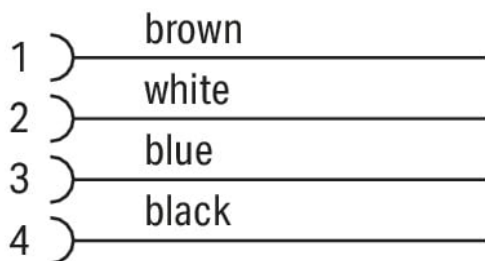


Pin 1 ... 4: 0.75 mm²



Dimensions in mm

Short description:

- PUR, halogen-free
- UL / CSA
- Suitable for drag chains
- Silicon- and CFC-free
- High resistance to microbes, hydrolysis, oil, chemicals and UV radiation
- High chemical resistance
- Cable used: UL listed

Technical data

Connection type	M12 Socket - free end
Pole number	4
Cable connection direction to mating direction	90 °
Connector interface coding (cable/adaptor) 1 1	A-coded
Cable length	5 m
PLC manufacturer	WAGO
Operating voltage	250 VAC/DC
Operating current	4 A
Rated surge voltage	2.5 kV
Contact resistance	10 mΩ
Insulation resistance	>10 ⁹ Ω
Conductor resistance	≤ 26 Ω/km

Mechanical data

Bending radius	10 x cable diameter (min.) for flexible application
Bending cycles	4 million
Drag chain capability	Yes
Sheathed cable diameter	6 ... 6.4 mm
Type code	Lif9YH-11YH 4x0.75 mm ²
Conductor configuration	Bare copper wire (40 x 0.15 mm)
Conductor insulation	PP9Y (halogen-free)
Housing material	TPU/TPU, black (~ RAL 9005)
Tightening torque	1 Nm
Weight	10 g

Environmental requirements

Ambient (operating) temperature (dynamic)	-30 ... +80 °C
Ambient (operating) temperature (static)	-30 ... +80 °C
Protection type	IP67
Pollution degree	3/2 per IEC 60664-1
Fire load	0 MJ

Commercial data

eCl@ss 10.0	27-06-18-01
eCl@ss 9.0	27-06-18-01
ETIM 8.0	EC001855
ETIM 7.0	EC003249
PU (SPU)	1 pcs
Packaging type	Box
Country of origin	DE
GTIN	4045454772437
Customs tariff number	85444290900
End of Sale	2024-05-01
End of Production	2024-05-15
End of Delivery	2024-06-01
End of Service and Repair	2025-06-01

Environmental Product Compliance

CAS-No.	7439-92-1
REACH Candidate List Substance	Lead
RoHS Compliance Status	Compliant,With Exemption
RoHS Exemption	6(c)
SCIP notification number (Austria)	Oea3fd77-b542-4a00-8541-35473b8be651
SCIP notification number (Belgium)	72b77424-ddbc-4939-bed6-ff1ab3a50c9a
SCIP notification number (Bulgaria)	492d6c9b-36ca-4e35-abba-de08a3332d9e
SCIP notification number (Czech Republic)	a31d7bc5-18e1-4b3a-888f-5d64ee2f114c
SCIP notification number (Denmark)	b931a655-3221-4804-99b1-b5f66ebfa0b4
SCIP notification number (Finland)	a59d465a-22ee-4780-bf57-7c8578fce023
SCIP notification number (France)	efcc2d5a-851a-4c61-9806-bb349e5a05b1
SCIP notification number (Germany)	e003749c-3f8c-4b1b-a6bd-db579a7a50db
SCIP notification number (Hungary)	cdddc491-94cf-43e5-ad2c-c9b0d89f9bc6
SCIP notification number (Italy)	f21e5a27-573e-401a-bdec-7c09d7c4690e
SCIP notification number (Netherlands)	4161da7d-2bb9-4ec6-a684-9b43bb793a19
SCIP notification number (Poland)	07feefe4-5b23-4957-a2a2-462c16299d73
SCIP notification number (Romania)	56c39819-964b-4a7f-a570-a65d4c2348f9
SCIP notification number (Sweden)	49f3804b-0347-4e0a-aa88-08549e19b290

Approvals / Certificates

General approvals



Approval	Standard	Certificate Name
UL Underwriters Laboratories Inc.	UL 2238	E519602

Downloads

Environmental Product Compliance

Compliance Search

Environmental Product Compliance 756-3102/040-050	
---	--

Documentation

System Description

I/O-SYSTEM – SPEED- WAY, General Product Information	pdf 1035.20 KB	
--	-------------------	--

CAD/CAE-Data

CAE data

WSCAD Universe 756-3102/040-050	
------------------------------------	--