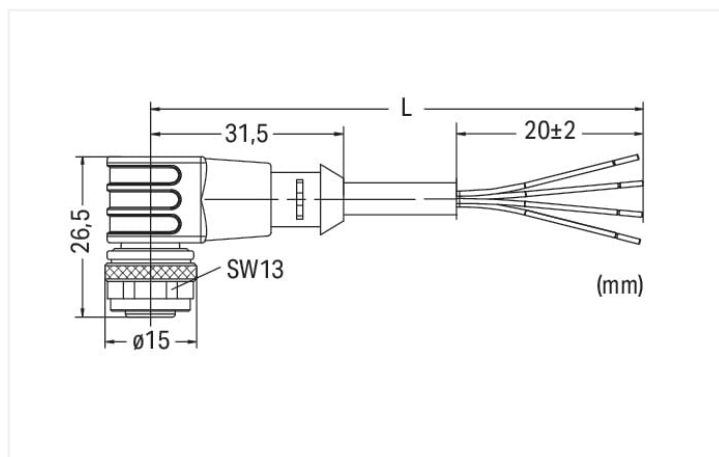
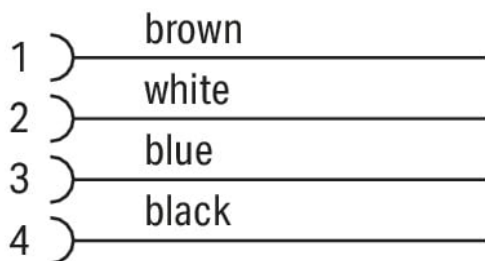


Pin 1 ... 4: 0.75 mm<sup>2</sup>



Dimensions in mm

**Short description:**

- PUR, halogen-free
- UL / CSA
- Suitable for drag chains
- Silicon- and CFC-free
- High resistance to microbes, hydrolysis, oil, chemicals and UV radiation
- High chemical resistance
- Cable used: UL listed

**Technical data**

Connection type	M12 Socket - free end
Pole number	4
Cable connection direction to mating direction	90 °
Connector interface coding (cable/adapter) 1 1	A-coded
Cable length	20 m
PLC manufacturer	WAGO
Operating voltage	250 VAC/DC
Operating current	4 A
Rated surge voltage	2.5 kV
Contact resistance	10 mΩ
Insulation resistance	>10 <sup>9</sup> Ω
Conductor resistance	≤ 26 Ω/km

### Mechanical data

Bending radius	10 x cable diameter (min.) for flexible application
Bending cycles	4 million
Drag chain capability	Yes
Sheathed cable diameter	6 ... 6.4 mm
Type code	Lif9YH-11YH 4x0.75 mm <sup>2</sup>
Conductor configuration	Bare copper wire (40 x 0.15 mm)
Conductor insulation	PP9Y (halogen-free)
Housing material	TPU/TPU, black (~ RAL 9005)
Tightening torque	1 Nm
Weight	10 g

### Environmental requirements

Ambient (operating) temperature (dynamic)	-30 ... +80 °C
Ambient (operating) temperature (static)	-30 ... +80 °C
Protection type	IP67
Pollution degree	3/2 per IEC 60664-1
Fire load	0 MJ

### Commercial data

eCl@ss 10.0	27-06-18-01
eCl@ss 9.0	27-06-18-01
ETIM 8.0	EC001855
ETIM 7.0	EC003249
PU (SPU)	1 pcs
Packaging type	Box
Country of origin	DE
GTIN	4045454772475
Customs tariff number	85444290900
End of Sale	2024-05-01
End of Production	2024-05-15
End of Delivery	2024-06-01
End of Service and Repair	2025-06-01

### Environmental Product Compliance

CAS-No.	7439-92-1
REACH Candidate List Substance	Lead
RoHS Compliance Status	Compliant,With Exemption
RoHS Exemption	6(c)
SCIP notification number (Austria)	590e6a65-4f1e-4b85-8b17-b098756a39e7
SCIP notification number (Belgium)	1f82f3e0-76eb-47c7-a58b-7003e7f73c9f
SCIP notification number (Bulgaria)	4d55292b-9dd2-4415-bb80-cc4ced2dfaf6
SCIP notification number (Czech Republic)	f0a9b06d-bed0-4be3-a7a9-e2f7f4a99eda
SCIP notification number (Denmark)	c9a88732-5dd3-4e61-ac8c-7f51cb602bfe
SCIP notification number (Finland)	618d304d-6080-4dd1-8719-b35ea7c815d4
SCIP notification number (France)	f004325b-b5ce-4e5d-83c8-f25ed13779ce
SCIP notification number (Germany)	228e00f0-30e7-45cd-a109-2cb4e5cb22af
SCIP notification number (Hungary)	eae71c79-f8a7-466f-b89f-88458c21bc54
SCIP notification number (Italy)	23b947c5-b29a-41b2-93ee-2e43b91de9bf
SCIP notification number (Netherlands)	fb59fcb5-ff10-40c3-885d-178a5ab31ec1
SCIP notification number (Poland)	0f3d3589-4df0-4673-973b-b7adac5c5ae3
SCIP notification number (Romania)	e049eb4c-e2e3-47b6-9df5-51ecc3e9c437
SCIP notification number (Sweden)	73fa1e90-8aec-406c-a306-e332dae5f41

### Approvals / Certificates

#### General approvals



Approval	Standard	Certificate Name
UL Underwriters Laboratories Inc.	UL 2238	E519602

### Downloads

#### Environmental Product Compliance

##### Compliance Search

Environmental Product Compliance 756-3102/040-200	
---	--

### Documentation

#### System Description

I/O-SYSTEM – SPEED- WAY, General Product Information	pdf 1035.20 KB	
--	-------------------	--

### CAD/CAE-Data

#### CAE data

WSCAD Universe 756-3102/040-200	
------------------------------------	--