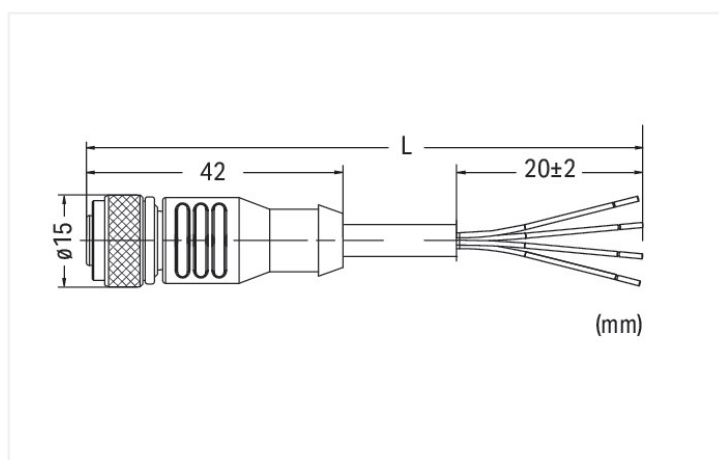
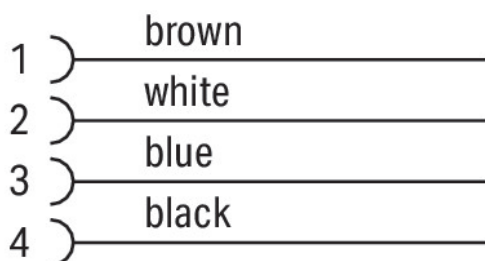


Pin 1 ... 4: 0.75 mm²



Dimensions in mm

Short description:

- PUR, halogen-free
- UL / CSA
- Suitable for drag chains
- Silicon- and CFC-free
- High resistance to microbes, hydrolysis, oil, chemicals and UV radiation
- High chemical resistance
- Cable used: UL listed

Technical data

Connection type	M12 Socket - free end
Pole number	4
Cable connection direction to mating direction	0°
Connector interface coding (cable/adaptor) 1 1	A-coded
Cable length	20 m
PLC manufacturer	WAGO
Operating voltage	250 VAC/DC
Operating current	4 A
Rated surge voltage	2.5 kV
Contact resistance	10 mΩ
Insulation resistance	1000 MΩ
Conductor resistance	≤ 26 Ω/km

Mechanical data

Bending radius	10 x cable diameter (min.) for flexible application
Bending cycles	4 million
Drag chain capability	Yes
Sheathed cable diameter	6 ... 6.4 mm
Type code	Lif9YH-11YH 4x0.75 mm ²
Conductor configuration	Bare copper wire (40 x 0.15 mm)
Conductor insulation	PP9Y (halogen-free)
Housing material	TPU/TPU, black (~ RAL 9005)
Tightening torque	1 Nm
Weight	1100.1 g

Environmental requirements

Ambient (operating) temperature (dynamic)	-30 ... +80 °C
Ambient (operating) temperature (static)	-30 ... +80 °C
Protection type	IP67
Pollution degree	3/2 per IEC 60664-1
Fire load	0 MJ

Commercial data

eCl@ss 10.0	27-06-18-01
eCl@ss 9.0	27-06-18-01
ETIM 8.0	EC001855
ETIM 7.0	EC003249
PU (SPU)	1 pcs
Packaging type	Box
Country of origin	DE
GTIN	4045454772413
Customs tariff number	85444290900

Environmental Product Compliance

CAS-No.	7439-92-1
REACH Candidate List Substance	Lead
RoHS Compliance Status	Compliant,With Exemption
RoHS Exemption	6(c)
SCIP notification number (Austria)	d2153dab-6961-4b21-8a1b-ab8d11b77785
SCIP notification number (Belgium)	69bfe8b6-e3ca-44f5-b798-2fb45fffe9c3
SCIP notification number (Bulgaria)	7e734ccb-56f2-4684-a1a8-ab3da79c3035
SCIP notification number (Czech Republic)	10085e9f-00b7-486f-a28e-4604b4ad153a
SCIP notification number (Denmark)	a3bad59b-f9d0-4993-8b38-fe6926a31e2b
SCIP notification number (Finland)	2a1c7b5f-1411-4758-b530-094c1b6565fd
SCIP notification number (France)	5bc92601-464c-437c-ba7a-1ec83aab7381
SCIP notification number (Germany)	b6953a91-e0ff-4bfa-b5be-c5c399e88742
SCIP notification number (Hungary)	a05d8db1-ee3b-473d-afa1-1f4594772460
SCIP notification number (Italy)	1cdc4d1c-7282-4c7b-bc75-913046f0e4da
SCIP notification number (Netherlands)	fb84179f-2424-40a0-adb4-aece9323a425
SCIP notification number (Poland)	7eb1942a-ae2-47ca-a612-7535b45218d9
SCIP notification number (Romania)	f976fa38-c47e-428e-b38a-e5bd921bd1d0
SCIP notification number (Sweden)	10c9ec7b-592a-4071-a154-a42453083f8c

Approvals / Certificates


General approvals




Approval	Standard	Certificate Name
UL Underwriters Laboratories Inc.	UL 2238	E519602

Downloads

Environmental Product Compliance

Compliance Search
Environmental Product Compliance 756-3101/040-200 

Documentation

System Description
I/O-SYSTEM – SPEED- WAY, General Product Information pdf 1035.20 KB 

CAD/CAE-Data

CAE data
WSCAD Universe 756-3101/040-200 