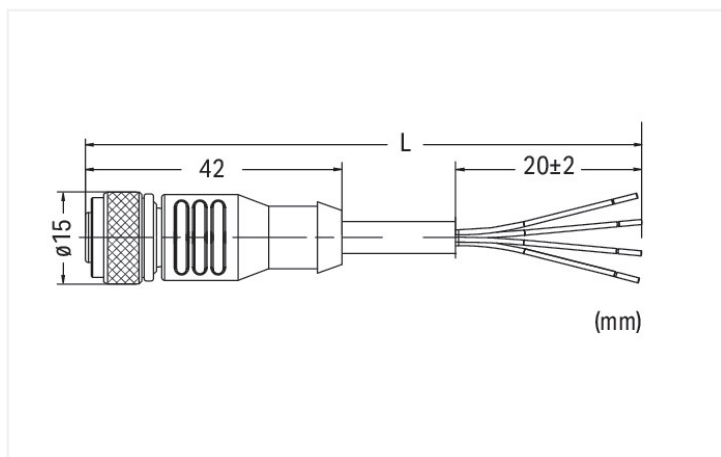
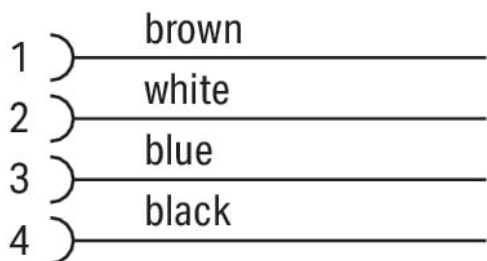


Pin 1 ... 4: 0.75 mm<sup>2</sup>



Dimensions in mm

**Short description:**

- PUR, halogen-free
- UL / CSA
- Suitable for drag chains
- Silicon- and CFC-free
- High resistance to microbes, hydrolysis, oil, chemicals and UV radiation
- High chemical resistance
- Cable used: UL listed

**Technical data**

Connection type	M12 Socket - free end
Pole number	4
Cable connection direction to mating direction	0°
Connector interface coding (cable/adaptor) 1 1	A-coded
Cable length	10 m
PLC manufacturer	WAGO
Operating voltage	250 VAC/DC
Operating current	4 A
Rated surge voltage	2.5 kV
Contact resistance	10 mΩ
Insulation resistance	>10 <sup>9</sup> Ω
Conductor resistance	≤ 26 Ω/km

### Mechanical data

Bending radius	10 x cable diameter (min.) for flexible application
Bending cycles	4 million
Drag chain capability	Yes
Sheathed cable color	black
Sheathed cable diameter	6 ... 6.4 mm
Type code	Lif9YH-11YH 4x0.75 mm <sup>2</sup>
Conductor configuration	Bare copper wire (40 x 0.15 mm)
Conductor insulation	PP9Y (halogen-free)
Housing material	TPU/TPU, black (~ RAL 9005)
Tightening torque	1 Nm
Weight	10 g

### Environmental requirements

Ambient (operating) temperature (dynamic)	-30 ... +80 °C
Ambient (operating) temperature (static)	-30 ... +80 °C
Protection type	IP67
Pollution degree	3/2 per IEC 60664-1
Fire load	0 MJ

### Commercial data

eCl@ss 10.0	27-06-18-01
eCl@ss 9.0	27-06-18-01
ETIM 8.0	EC001855
ETIM 7.0	EC003249
PU (SPU)	1 pcs
Packaging type	Box
Country of origin	DE
GTIN	4045454772406
Customs tariff number	85444290900
End of Sale	2024-05-01
End of Production	2024-05-15
End of Delivery	2024-06-01
End of Service and Repair	2025-06-01

### Environmental Product Compliance

CAS-No.	7439-92-1
REACH Candidate List Substance	Lead
RoHS Compliance Status	Compliant,With Exemption
RoHS Exemption	6(c)
SCIP notification number (Austria)	aa8acc2b-127c-488d-9343-68ab05c34521
SCIP notification number (Belgium)	eda9013b-df40-423b-aeca-00d263595328
SCIP notification number (Bulgaria)	eb067d7c-2393-4b72-8f8c-b3bad55126f1
SCIP notification number (Czech Republic)	45820453-fdde-45dd-bc08-f39839394c37
SCIP notification number (Denmark)	a7eeafdc-9ff7-4edc-9e26-9ae93294e34b
SCIP notification number (Finland)	106e13fd-a8f5-4bcf-b1a8-28620b3a2655
SCIP notification number (France)	89c922f0-58b9-4c83-84f7-b26234948622
SCIP notification number (Germany)	ee8bd733-2e81-41ba-a571-90d87fc888b6
SCIP notification number (Hungary)	1cf0e06c-cc92-4633-adbd-d0fc2e6b611c
SCIP notification number (Italy)	6ffac387-3795-4084-94a6-1744a7d27618
SCIP notification number (Netherlands)	0d49425e-3a0c-44c0-b60e-c62262d9412e
SCIP notification number (Poland)	b4abf1d7-ad7b-48d0-bc33-6bdcca3021e2
SCIP notification number (Romania)	4f211dab-a923-48a6-ab03-3fff22fdb2e3
SCIP notification number (Sweden)	a6a584aa-a978-46e5-a4a5-1a072ef132a8

### Approvals / Certificates

#### General approvals



Approval	Standard	Certificate Name
UL Underwriters Laboratories Inc.	UL 2238	E519602

### Downloads

#### Environmental Product Compliance

##### Compliance Search

Environmental Product Compliance 756-3101/040-100	
---	--

### Documentation

#### System Description

I/O-SYSTEM – SPEED- WAY, General Product Information	pdf 1035.20 KB	
--	-------------------	--

### CAD/CAE-Data

#### CAE data

WSCAD Universe 756-3101/040-100	
------------------------------------	--