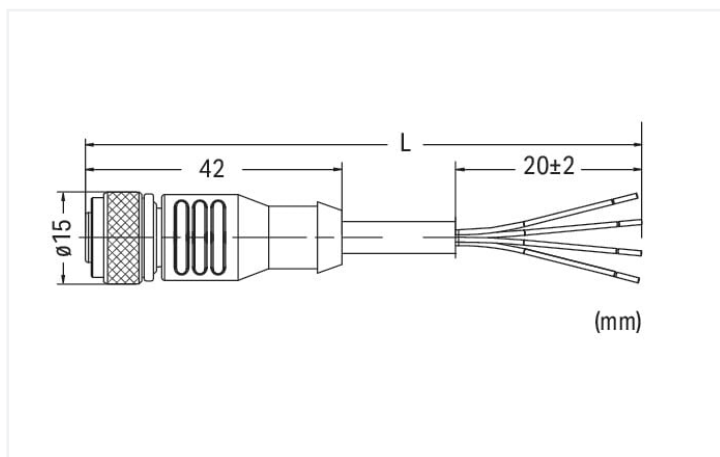
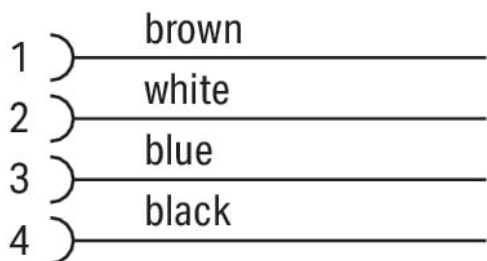


Pin 1 ... 4: 0.75 mm²



Dimensions in mm

Short description:

- PUR, halogen-free
- UL / CSA
- Suitable for drag chains
- Silicon- and CFC-free
- High resistance to microbes, hydrolysis, oil, chemicals and UV radiation
- High chemical resistance
- Cable used: UL listed

Technical data

Connection type	M12 Socket - free end
Pole number	4
Cable connection direction to mating direction	0°
Connector interface coding (cable/adaptor) 1 1	A-coded
Cable length	5 m
PLC manufacturer	WAGO
Operating voltage	250 VAC/DC
Operating current	4 A
Rated surge voltage	2.5 kV
Contact resistance	10 mΩ
Insulation resistance	>10 ⁹ Ω
Conductor resistance	≤ 26 Ω/km

Mechanical data

Bending radius	10 x cable diameter (min.) for flexible application
Bending cycles	4 million
Drag chain capability	Yes
Sheathed cable diameter	6 ... 6.4 mm
Type code	Lif9YH-11YH 4x0.75 mm ²
Conductor configuration	Bare copper wire (40 x 0.15 mm)
Conductor insulation	PP9Y (halogen-free)
Housing material	TPU/TPU, black (~ RAL 9005)
Tightening torque	1 Nm
Weight	10 g

Environmental requirements

Ambient (operating) temperature (dynamic)	-30 ... +80 °C
Ambient (operating) temperature (static)	-30 ... +80 °C
Protection type	IP67
Pollution degree	3/2 per IEC 60664-1
Fire load	0 MJ

Commercial data

eCl@ss 10.0	27-06-18-01
eCl@ss 9.0	27-06-18-01
ETIM 8.0	EC001855
ETIM 7.0	EC003249
PU (SPU)	1 pcs
Packaging type	Box
Country of origin	DE
GTIN	4045454772390
Customs tariff number	85444290900
End of Sale	2024-05-01
End of Production	2024-05-15
End of Delivery	2024-06-01
End of Service and Repair	2025-06-01

Environmental Product Compliance

CAS-No.	7439-92-1
REACH Candidate List Substance	Lead
RoHS Compliance Status	Compliant,With Exemption
RoHS Exemption	6(c)
SCIP notification number (Austria)	a45b72c3-ed00-4224-8453-b75559569b23
SCIP notification number (Belgium)	8c2d9cd4-f5cb-4eb6-93f7-a8a8978f2f26
SCIP notification number (Bulgaria)	701b6abd-9bdc-4ca2-a9e7-b954519753f0
SCIP notification number (Czech Republic)	588193ec-9052-4ca0-8e92-69facc1f1be3
SCIP notification number (Denmark)	131df36b-2e66-453f-b6c9-e3b70174d7f9
SCIP notification number (Finland)	2d7b3bfc-f41d-4db5-9dec-573c8e721dc8
SCIP notification number (France)	78ce4a90-b34a-4a3f-8346-03ae90fc373a
SCIP notification number (Germany)	d17937f2-47dc-4e42-8273-a407abc7e819
SCIP notification number (Hungary)	a1da659b-62bf-4fca-9b8e-4743905a2e42
SCIP notification number (Italy)	cb04d5a5-11c7-4391-b2f9-94227e948f8b
SCIP notification number (Netherlands)	69ac8c90-a558-45e2-bd90-5c3ef5689d61
SCIP notification number (Poland)	fc47aab0-89a3-43ef-be87-5bba4899ba1a
SCIP notification number (Romania)	89873592-3d99-4baf-a742-f8707953211d
SCIP notification number (Sweden)	aeefde3-a4d6-4f8e-a062-53e76b71f756

Approvals / Certificates

General approvals



Approval	Standard	Certificate Name
UL Underwriters Laboratories Inc.	UL 2238	E519602

Downloads

Environmental Product Compliance

Compliance Search

Environmental Product Compliance 756-3101/040-050	
---	--

Documentation

System Description

I/O-SYSTEM – SPEED- WAY, General Product Information	pdf 1035.20 KB	
--	-------------------	--

CAD/CAE-Data

CAE data

WSCAD Universe 756-3101/040-050	
------------------------------------	--