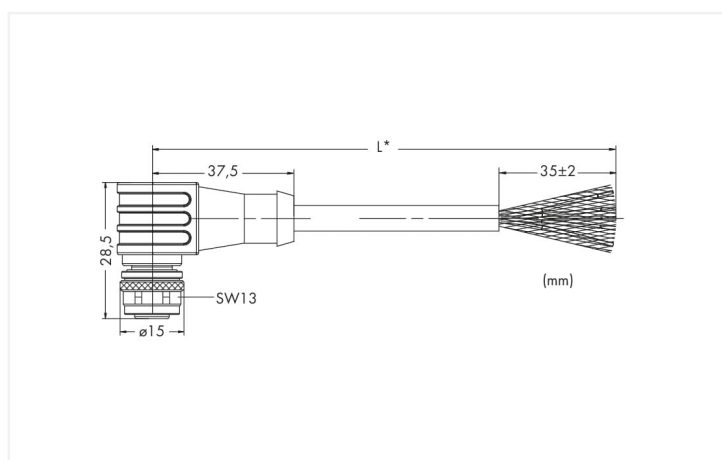
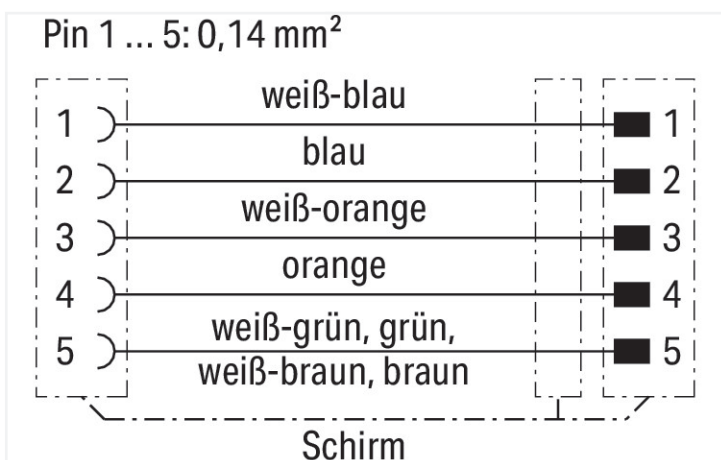


Color: ■ yellow



Dimensions in mm

Short description:

- PUR, halogen-free
- Silicon- and CFC-free
- High resistance to microbes, hydrolysis, oil, chemicals and UV radiation
- High chemical resistance
- Cable used: UL listed

Technical data

Connection type	M12 Socket - free end
Pole number	5
Cable connection direction to mating direction	90°
Connector interface coding (cable/adaptor) 1 1	B-coded
Cable length	10 m
PLC manufacturer	WAGO
Operating voltage	60 V
Operating current	4 A
Rated surge voltage	1.5 kV per IEC 61076-2-101
Contact resistance	10 mΩ
Insulation resistance	≥5 x 10 ⁸ Ω
Conductor resistance	≤ 145 Ω/km

Mechanical data

Bending radius	5 x cable diameter (min.)
Sheathed cable diameter	6 mm
Type code	KS-02YS(ST+C)11Y 4x2xAWG26/7-100 Ω, shielded
Shield	Aluminum-laminated foil and tinned copper braid, optical coverage approx. 65 %
Conductor configuration	Bare copper wire (26/7 AWG)
Conductor insulation	Zell-PE; Core Ø: 1.0 mm (max.)
Housing material	TPU/TPU, black (~ RAL 9005)
Contact material	CuZn
Contact plating	CuNi/Au
Material properties of the connections	Hexagon knurled nut: CuZn; Knurled nut surface: nickel-plated; Sealing ring: FPM (Viton)
Mating cycles (max.)	100
Tightening torque	1 Nm
Weight	401 g
Color	yellow

Environmental requirements

Ambient temperature (operation)	-25 ... +60 °C
Protection type	IP67
Pollution degree	3/2 per IEC 60664-1
Fire load	0 MJ

Commercial data

eCl@ss 10.0	27-06-18-01
eCl@ss 9.0	27-06-18-01
ETIM 8.0	EC000237
ETIM 7.0	EC003249
PU (SPU)	1 pcs
Packaging type	Box
Country of origin	DE
GTIN	4045454791247
Customs tariff number	85444290900
End of Sale	2024-05-01
End of Production	2024-05-15
End of Delivery	2024-06-01
End of Service and Repair	2025-06-01

Environmental Product Compliance

CAS-No.	7439-92-1
REACH Candidate List Substance	Lead
RoHS Compliance Status	Compliant,With Exemption
RoHS Exemption	6(c)
SCIP notification number (Austria)	c54ec85e-c330-4947-bb76-7de3a2e3b91f
SCIP notification number (Belgium)	99158e0e-1f2a-4ffe-9174-43d8ce4a9146
SCIP notification number (Bulgaria)	f2edd927-ab98-4b86-a860-6fdf1f1557d2
SCIP notification number (Czech Republic)	1a73b799-032c-431d-a194-b69b3b403afb
SCIP notification number (Denmark)	e45ad7eb-7ff7-40b4-af36-c254e91d02d9
SCIP notification number (Finland)	de83717a-f147-4a9a-91a1-ac6914dcc08d
SCIP notification number (France)	8a2dba39-23df-4b5c-93ae-61b77f89bf61
SCIP notification number (Germany)	00575f1a-7587-494e-80be-35cc0890b9ce
SCIP notification number (Hungary)	1ed8dbed-8697-4b1d-ae5f-d0fc1d398613
SCIP notification number (Italy)	229eec47-f3ce-4ba9-98ee-34d537ac85da
SCIP notification number (Netherlands)	7971df37-c610-421a-a16f-5d5770f7491f
SCIP notification number (Poland)	43ad3a5a-8926-4074-9dce-94c7119eb704

Environmental Product Compliance

SCIP notification number (Romania)	1dedc121-45bc-48e7-bbc2-687f7961bc27
SCIP notification number (Sweden)	0edd2596-eb56-4f06-960f-421610ac4593

Downloads

Environmental Product Compliance

Compliance Search

Environmental Product Compliance 756-1302/060-100	
--	--

Documentation

System Description

I/O-SYSTEM – SPEED-WAY, General Product Information	pdf 1035.20 KB	
---	-------------------	--

CAD/CAE-Data

CAE data

WSCAD Universe 756-1302/060-100	
------------------------------------	--