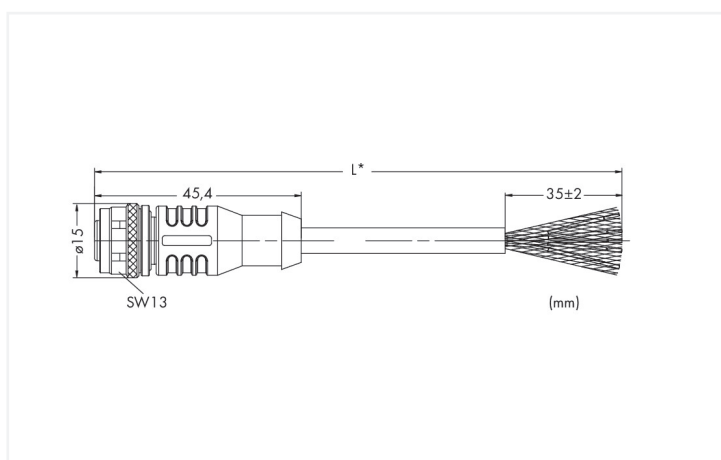


Color: ■ yellow



Dimensions in mm

Short description:

- PUR, halogen-free
- Silicon- and CFC-free
- High resistance to microbes, hydrolysis, oil, chemicals and UV radiation
- High chemical resistance
- Cable used: UL listed

Technical data

Connection type	M12 Socket - free end
Pole number	5
Cable connection direction to mating direction	0°
Connector interface coding (cable/adapter) 1 1	B-coded
Cable length	2 m
PLC manufacturer	WAGO
Operating voltage	60 V
Operating current	4 A
Rated surge voltage	1.5 kV per IEC 61076-2-101
Contact resistance	10 mΩ
Insulation resistance	≥5 x 10 ⁸ Ω
Conductor resistance	≤ 145 Ω/km

Mechanical data

Bending radius	5 x cable diameter (min.)
Sheathed cable diameter	6 mm
Type code	KS-02YS(ST+C)11Y 4x2xAWG26/7-100 Ω, shielded
Shield	Aluminum-laminated foil and tinned copper braid, optical coverage approx. 65 %
Conductor configuration	Bare copper wire (26/7 AWG)
Conductor insulation	Zell-PE; Core Ø: 1.0 mm (max.)
Housing material	TPU/TPU, black (~RAL 9005)
Contact material	CuZn
Contact plating	CuNi/Au
Material properties of the connections	Hexagon knurled nut: CuZn; Knurled nut surface: nickel-plated; Sealing ring: FPM (Viton)
Mating cycles (max.)	100
Tightening torque	1 Nm
Weight	92.1 g
Color	yellow

Environmental requirements

Ambient temperature (operation)	-25 ... +60 °C
Protection type	IP67
Pollution degree	3/2 per IEC 60664-1
Fire load	0 MJ

Commercial data

eCl@ss 10.0	27-06-18-01
eCl@ss 9.0	27-06-18-01
ETIM 8.0	EC000237
ETIM 7.0	EC003249
PU (SPU)	1 pcs
Packaging type	Box
Country of origin	DE
GTIN	4045454791179
Customs tariff number	85444290900
End of Sale	2024-05-01
End of Production	2024-05-15
End of Delivery	2024-06-01
End of Service and Repair	2025-06-01

Environmental Product Compliance

CAS-No.	7439-92-1
REACH Candidate List Substance	Lead
RoHS Compliance Status	Compliant,With Exemption
RoHS Exemption	6(c)
SCIP notification number (Austria)	907e4ac8-7bff-4ad8-b372-b87d5d81472f
SCIP notification number (Belgium)	34c1d014-218c-410d-8ebc-7d780e2b96d5
SCIP notification number (Bulgaria)	249a1038-a3d1-459a-b5cf-d9280249f8d5
SCIP notification number (Czech Republic)	da681bf9-57e2-42f5-821a-30155ef25d3f
SCIP notification number (Denmark)	7d7eccaf-7fc5-43e6-8d00-88df130d6025
SCIP notification number (Finland)	4010101e-bc26-4bf3-b637-2a6257d04215
SCIP notification number (France)	fd005cd9-c462-4481-87d9-f612311bb7c9
SCIP notification number (Germany)	895b5598-eaf9-43cf-bd01-f4c1c714cbe3
SCIP notification number (Hungary)	6333617d-10f4-453a-a27a-ff0f9e1a3a81
SCIP notification number (Italy)	4ee25960-a507-4d50-8d50-e15b5a1d0c4e
SCIP notification number (Netherlands)	710103c5-7675-4649-aa6c-e4cf8c96ceaf
SCIP notification number (Poland)	45c4ce4b-32a1-4cd2-88b3-1feb0cc91b4b

Environmental Product Compliance

SCIP notification number (Romania)	311c1748-3f2c-4963-827b-5f332dee14f2
SCIP notification number (Sweden)	118c010f-210b-4c21-b50e-1d3b9c737d5d

Downloads

Environmental Product Compliance

Compliance Search	
Environmental Product Compliance 756-1301/060-020	

Documentation

System Description	
I/O-SYSTEM – SPEED-WAY, General Product Information	pdf 1035.20 KB

CAD/CAE-Data

CAE data	
WSCAD Universe 756-1301/060-020	