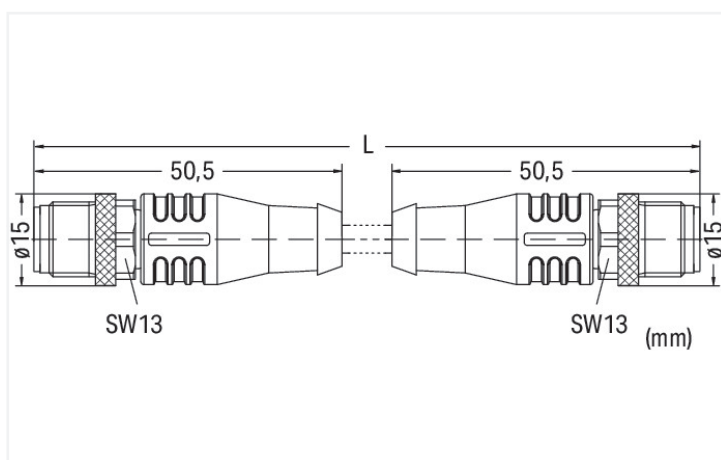
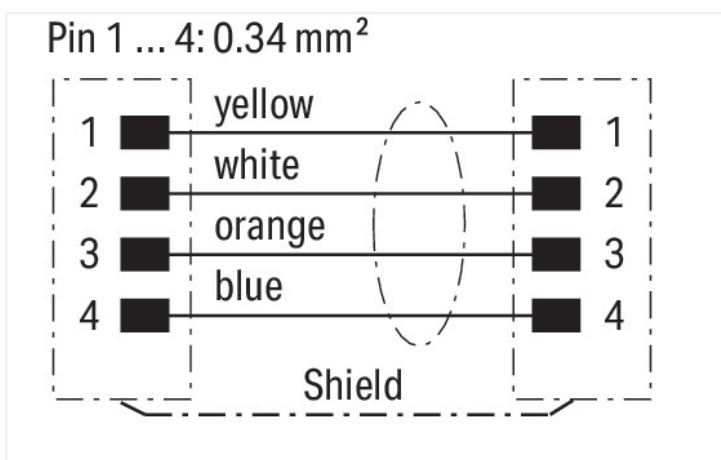


Color: ■ green



Short description:

- PUR GN, halogen-free
- CAT 5e ES
- Suitable for drag chains
- Silicon- and CFC-free
- High resistance to microbes, hydrolysis, oil, ozone, chemicals and UV radiation
- Cable used: UL listed

Technical data

| General information | |
|---|----------------------------|
| Operating voltage | 250 V |
| Operating current | 4 A |
| Rated surge voltage | 2 kV |
| Insulation resistance | ≥ 5 × 10 ⁸ Ω/km |
| Contact resistance | 10 mΩ |
| Conductor resistance | < 57 Ω/km |
| Pollution degree | 3/2 per IEC 60664-1 |
| Protection type | IP67 |
| Ambient (operating) temperature (static) | -40 ... +70 °C |
| Ambient (operating) temperature (dynamic) | -40 ... +70 °C |

| Drag chain compatible | |
|-------------------------------|--|
| Bending diameter (min.) | 200 mm |
| Bending radius | Single: 5 x cable diameter (min.); Multiple: 7.5 x cable diameter (min.) |
| Bending cycles | 3 million |
| Acceleration (min.) | 4 m/s ² |
| Travel speed (max.) | 4 m/s |
| Travel path (horizontal) max. | 10 m |

| Cable | |
|-------------------------|---|
| Cable length | 5 m |
| Type code | 02YH(ST)C11Y 2x2x0.75/1.5-100 LI GN VZN FRNC, shielded |
| Overall shield | Overlapped aluminum-laminated foil and tinned copper braid, optical coverage approx. 85 % |
| Conductor configuration | Bare copper wire (7 x 0.25 mm) |
| Conductor insulation | Halogen-free PE |
| Sheath material | Polyurethane (PUR), halogen-free per VDE 0250 Part 818, flame resistant per IEC 60332-1-2 |
| Sheathed cable diameter | 6.3 ... 6.7 mm |

| Connector | |
|--|-----------------------------|
| Connection type | M12 plug - M12 plug |
| Pole number | 4 |
| Cable connection direction to mating direction | 0 ° |
| Cable connection direction to mating direction (2) | 0 ° |
| Connector interface coding (cable/adapter) 1 1 | D-coded |
| Connector interface coding (cable/adapter) 2 1 | D-coded |
| Housing material | TPU/TPU, black (~ RAL 9005) |
| Contact material | CuZn |
| Tightening torque | 1 Nm |

| Commercial data | |
|-----------------------|---------------|
| eCl@ss 10.0 | 27-06-18-01 |
| eCl@ss 9.0 | 27-06-18-01 |
| ETIM 8.0 | EC002599 |
| ETIM 7.0 | EC003249 |
| PU (SPU) | 1 pcs |
| Packaging type | Box |
| Country of origin | DE |
| GTIN | 4045454521844 |
| Customs tariff number | 85444210000 |

| Environmental Product Compliance | |
|----------------------------------|-------------------------|
| RoHS Compliance Status | Compliant, No Exemption |

Approvals / Certificates

General approvals



| Approval | Standard | Certificate Name |
|--------------------------------------|----------|------------------|
| UL Underwriters Laboratories Inc. | UL 1863 | E345416 |

Downloads

Environmental Product Compliance

| Compliance Search | |
|--|-------------------|
| Environmental Product Compliance 756-1203/060-050 | ↓ |

CAD/CAE-Data

CAE data

WSCAD Universe
756-1203/060-050

