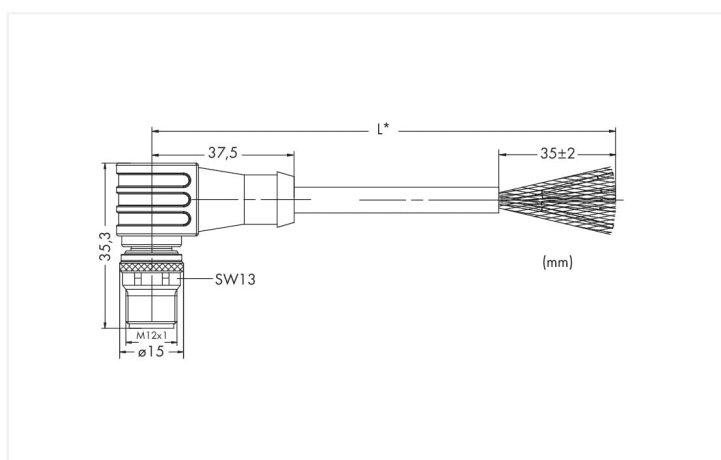
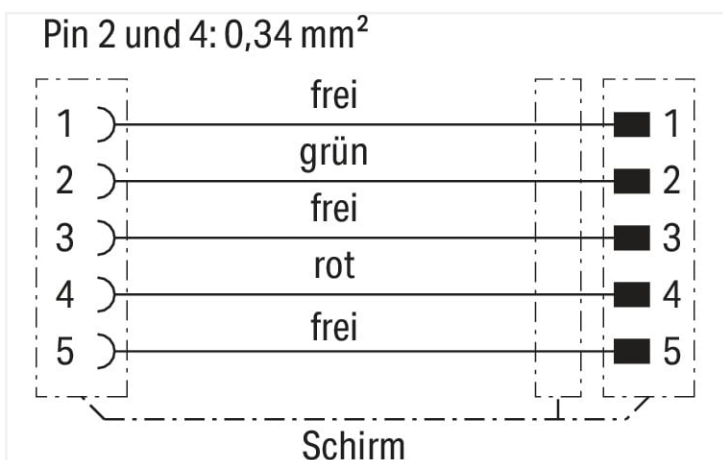


Color: ■ violet



Dimensions in mm

**Short description:**

- PUR, halogen-free
- Suitable for drag chains
- Silicon- and PVC-free
- High resistance to microbes, hydrolysis, oil, chemicals and UV radiation
- High chemical resistance

Technical data	
Connection type	M12 plug - free end
Pole number	5
Cable connection direction to mating direction	90°
Connector interface coding (cable/adapter) 1 1	B-coded
Cable length	20 m
Communication/fieldbus	PROFIBUS
Operating voltage	≤ 300 V
Operating current	4 A
Rated surge voltage	2 kV
Insulation resistance	> 2500 MΩ/km
Conductor resistance	55 Ω/km (max.); Loop resistance: 110 Ω/km (max.)

### Mechanical data

Bending radius	> 10 x cable Ø (flexible use); > 5 x cable Ø in drag chain (fixed installation)
Bending cycles	1 million
Drag chain capability	Yes
Sheathed cable diameter	7.3 ... 7.9 mm
Type code	LI02YS-(ST)CB11Y 1X(2X0.34SQMM)
Shield	Shielding braid, (approx. 5.90 mm Ø), tinned CU-ETP1, coverage 85 % ± 5 %
Conductor configuration	Bare copper wire (19 x 0.15 mm)
Conductor insulation	PE (halogen-free); Filler: PP yarn
Housing material	TPU/TPU, black (~ RAL 9005)
Tightening torque	1 Nm
Weight	1400 g
Color	violet

### Environmental requirements

Ambient (operating) temperature (dynamic)	-25 ... +60 °C
Ambient (operating) temperature (static)	-50 ... +80 °C
Protection type	IP67
Pollution degree	3/2 per IEC 60664-1
Fire load	0 MJ

### Commercial data

eCl@ss 10.0	27-06-18-01
eCl@ss 9.0	27-06-18-01
ETIM 8.0	EC002599
ETIM 7.0	EC003249
PU (SPU)	1 pcs
Packaging type	Box
Country of origin	DE
GTIN	4045454521660
Customs tariff number	85444290900
End of Sale	2024-05-01
End of Production	2024-05-15
End of Delivery	2024-06-01
End of Service and Repair	2025-06-01

### Environmental Product Compliance

CAS-No.	7439-92-1
REACH Candidate List Substance	Lead
RoHS Compliance Status	Compliant,With Exemption
RoHS Exemption	6(c)
SCIP notification number (Austria)	f19b0965-2ab8-49ab-a7f3-5c8a137176ae
SCIP notification number (Belgium)	bd88a2dd-44db-4dc8-b577-96d833aa450e
SCIP notification number (Bulgaria)	bf869851-707d-425e-8b59-deba34cbef0d
SCIP notification number (Czech Republic)	751ea67f-7a0e-4a3b-b057-b3b1432ce1a5
SCIP notification number (Denmark)	a6c3ad1c-3c6b-4a5c-ade7-3648cef60746
SCIP notification number (Finland)	297ce9f7-3ace-42e3-852d-fc2084c45f7f
SCIP notification number (France)	a97d55f9-7367-45f6-93c4-d5c285576bb7
SCIP notification number (Germany)	74c8b531-e448-4299-9b86-c6699f128a87
SCIP notification number (Hungary)	dbeecdba-c118-43a3-8419-580b90cedb24
SCIP notification number (Italy)	89ce08e9-8a56-41f8-9ef1-fcfc37e270c
SCIP notification number (Netherlands)	6ee5305b-d9c0-421f-9e7d-29a021bcebcbb
SCIP notification number (Poland)	c2fe8c02-e096-4c28-ba38-59f5089edd74
SCIP notification number (Romania)	9d86b376-0609-491a-8176-c468a821168d

**Environmental Product Compliance**

SCIP notification number (Sweden)

4c3cec74-32f0-4ce1-84ee-45ec0c68bbb9

**Approvals / Certificates**

**General approvals**



Approval	Standard	Certificate Name
UL Underwriters Laboratories Inc.	UL 2238	E519602

**Downloads**

**Environmental Product Compliance**

**Compliance Search**

Environmental Product Compliance 756-1104/060-200	↓
---	---

**Documentation**

**System Description**

I/O-SYSTEM – SPEED- WAY, General Product Information	pdf 1035.20 KB	↓
--	-------------------	---

**CAD/CAE-Data**

**CAE data**

WSCAD Universe 756-1104/060-200	↓
------------------------------------	---