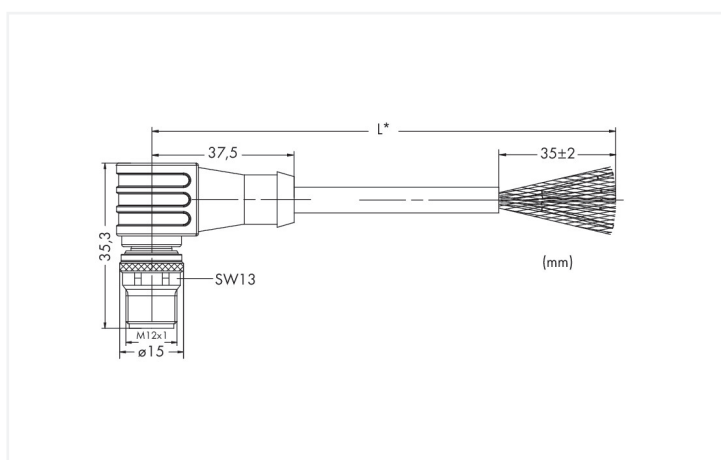
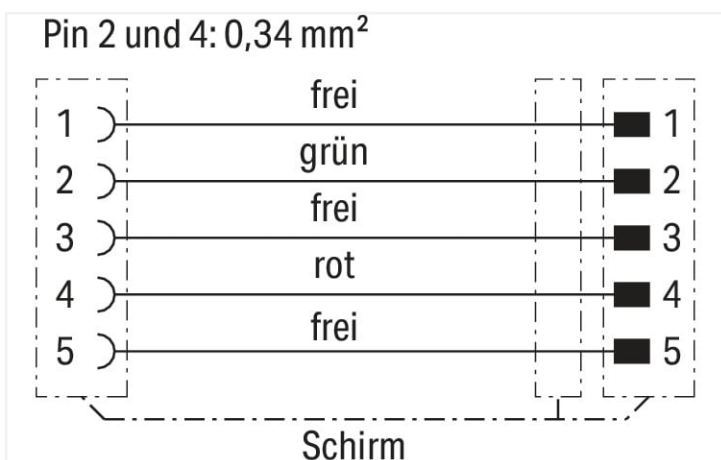


Color: ■ violet



Dimensions in mm

Short description:

- PUR, halogen-free
- Suitable for drag chains
- Silicon- and PVC-free
- High resistance to microbes, hydrolysis, oil, chemicals and UV radiation
- High chemical resistance

Technical data

Connection type	M12 plug - free end
Pole number	5
Cable connection direction to mating direction	90°
Connector interface coding (cable/adapter) 1 1	B-coded
Cable length	10 m
Communication/fieldbus	PROFIBUS
Operating voltage	≤ 300 V
Operating current	4 A
Rated surge voltage	2 kV
Insulation resistance	> 2500 MΩ/km
Conductor resistance	55 Ω/km (max.); Loop resistance: 110 Ω/km (max.)

Mechanical data

Bending radius	> 10 x cable Ø (flexible use); > 5 x cable Ø in drag chain (fixed installation)
Bending cycles	1 million
Drag chain capability	Yes
Sheathed cable diameter	7.3 ... 7.9 mm
Type code	LI02YS-(ST)CB11Y 1X(2X0.34SQMM)
Shield	Shielding braid, (approx. 5.90 mm Ø), tinned CU-ETP1, coverage 85 % ± 5 %
Conductor configuration	Bare copper wire (19 x 0.15 mm)
Conductor insulation	PE (halogen-free); Filler: PP yarn
Housing material	TPU/TPU, black (~ RAL 9005)
Tightening torque	1 Nm
Weight	700 g
Color	violet

Environmental requirements

Ambient (operating) temperature (dynamic)	-25 ... +60 °C
Ambient (operating) temperature (static)	-50 ... +80 °C
Protection type	IP67
Pollution degree	3/2 per IEC 60664-1
Fire load	0 MJ

Commercial data

eCl@ss 10.0	27-06-18-01
eCl@ss 9.0	27-06-18-01
ETIM 8.0	EC002599
ETIM 7.0	EC003249
PU (SPU)	1 pcs
Packaging type	Box
Country of origin	DE
GTIN	4045454521653
Customs tariff number	85444290900
End of Sale	2024-05-01
End of Production	2024-05-15
End of Delivery	2024-06-01
End of Service and Repair	2025-06-01

Environmental Product Compliance

CAS-No.	7439-92-1
REACH Candidate List Substance	Lead
RoHS Compliance Status	Compliant,With Exemption
RoHS Exemption	6(c)
SCIP notification number (Austria)	0cd6d459-f73f-4326-8dee-0bc5a69b76f7
SCIP notification number (Belgium)	48a921a6-3ad3-49d2-bcf7-6a7c761712f5
SCIP notification number (Bulgaria)	90f64494-0cbb-4323-90bc-5ca9936fetc9
SCIP notification number (Czech Republic)	7aae6941-55f5-47ac-9f63-4119b662ca08
SCIP notification number (Denmark)	eef38200-17ad-426e-bc1f-79c0534c7b31
SCIP notification number (Finland)	c3d28399-f07b-4da3-ac76-5cdee3ed094f
SCIP notification number (France)	7934f21d-4b0a-4dc7-8a87-0c6d3f7b8598
SCIP notification number (Germany)	a0491ed7-d032-47d3-a6cf-df0fc5cc389a
SCIP notification number (Hungary)	7ccace98-14e9-45a9-bafe-7e36480b279a
SCIP notification number (Italy)	a9837627-f87d-4fab-958a-672f8b1c1ac5
SCIP notification number (Netherlands)	5059a9dc-795a-4c5f-89d8-c4f7cfd1d20d
SCIP notification number (Poland)	7b83c676-cc63-4e03-ba5a-a28519d2098f
SCIP notification number (Romania)	613926e6-ec13-4fba-a133-b5d019ee5ff8

Environmental Product Compliance

SCIP notification number (Sweden)

49e106c2-6aeb-4439-800f-2e4467cbcf2a

Approvals / Certificates

General approvals



Approval	Standard	Certificate Name
UL Underwriters Laboratories Inc.	UL 2238	E519602

Downloads

Environmental Product Compliance

Compliance Search

Environmental Product Compliance 756-1104/060-100	
---	--

Documentation

System Description

I/O-SYSTEM – SPEED- WAY, General Product Information	pdf 1035.20 KB	
--	-------------------	--

CAD/CAE-Data

CAE data

WSCAD Universe 756-1104/060-100	
------------------------------------	--