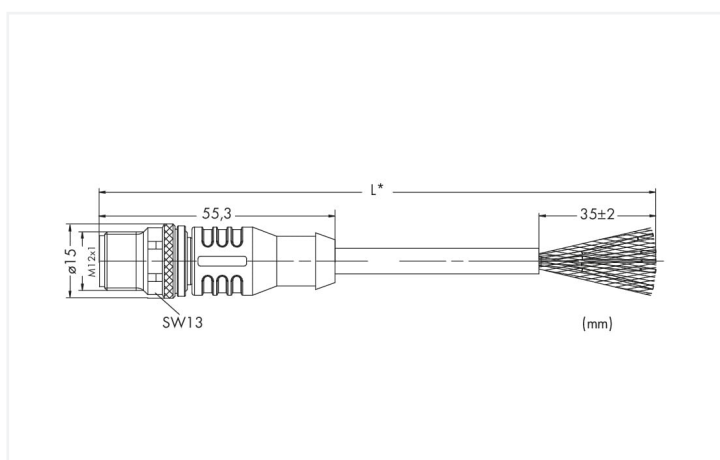
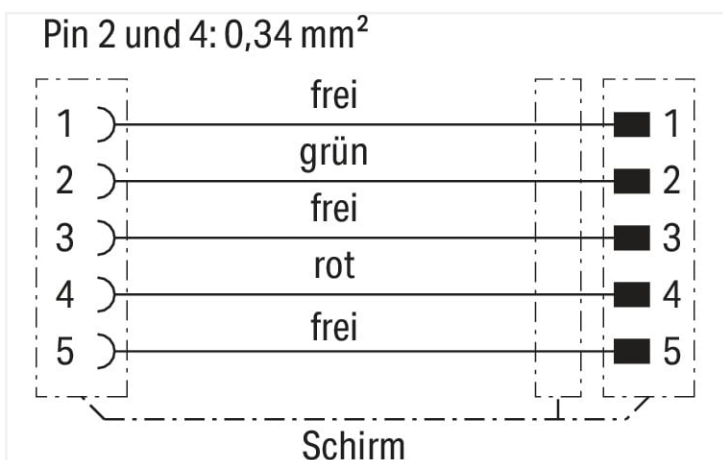


Color: ■ violet



Dimensions in mm

**Short description:**

- PUR, halogen-free
- Suitable for drag chains
- Silicon- and PVC-free
- High resistance to microbes, hydrolysis, oil, chemicals and UV radiation
- High chemical resistance

Technical data	
Connection type	M12 plug - free end
Pole number	5
Cable connection direction to mating direction	0°
Connector interface coding (cable/adapter) 1 1	B-coded
Cable length	5 m
Communication/fieldbus	PROFIBUS
Operating voltage	≤ 300 V
Operating current	4 A
Rated surge voltage	2 kV
Insulation resistance	> 2500 MΩ/km
Conductor resistance	55 Ω/km (max.); Loop resistance: 110 Ω/km (max.)

### Mechanical data

Bending radius	> 10 x cable Ø (flexible use); > 5 x cable Ø in drag chain (fixed installation)
Bending cycles	1 million
Drag chain capability	Yes
Sheathed cable diameter	7.3 ... 7.9 mm
Type code	LI02YS-(ST)CB11Y 1X(2X0.34SQMM)
Shield	Shielding braid, (approx. 5.90 mm Ø), tinned CU-ETP1, coverage 85 % ± 5 %
Conductor configuration	Bare copper wire (19 x 0.15 mm)
Conductor insulation	PE (halogen-free); Filler: PP yarn
Housing material	TPU/TPU, black (~ RAL 9005)
Tightening torque	1 Nm
Weight	337 g
Color	violet

### Environmental requirements

Ambient (operating) temperature (dynamic)	-25 ... +60 °C
Ambient (operating) temperature (static)	-50 ... +80 °C
Protection type	IP67
Pollution degree	3/2 per IEC 60664-1
Fire load	0 MJ

### Commercial data

eCl@ss 10.0	27-06-18-01
eCl@ss 9.0	27-06-18-01
ETIM 8.0	EC002599
ETIM 7.0	EC003249
PU (SPU)	1 pcs
Packaging type	Box
Country of origin	DE
GTIN	4045454521608
Customs tariff number	85444290900
End of Sale	2024-05-01
End of Production	2024-05-15
End of Delivery	2024-06-01
End of Service and Repair	2025-06-01

### Environmental Product Compliance

CAS-No.	7439-92-1
REACH Candidate List Substance	Lead
RoHS Compliance Status	Compliant, No Exemption
SCIP notification number (Austria)	b4be4138-0369-4ca3-9b6f-37f38849aec6
SCIP notification number (Belgium)	a183b2d5-3e51-45ef-9cdb-f359b15dd1ab
SCIP notification number (Bulgaria)	4c74afda-6ca5-4454-b7ed-aebedee36bef
SCIP notification number (Czech Republic)	f0911355-8160-4927-9cbb-cc31c48f1dff
SCIP notification number (Denmark)	b0fdfcca-dd73-4ea5-a14b-06a40c00374c
SCIP notification number (Finland)	c7c5dfd3-656e-418b-84dc-c65e82d84064
SCIP notification number (France)	1c49c7a6-c2d1-4475-a667-a81cbd2bf0e5
SCIP notification number (Germany)	a64d1da2-0a29-4416-a44e-8e86a4afc594
SCIP notification number (Hungary)	bab37c6b-4d1b-4e5c-bcfc-01217d1df917
SCIP notification number (Italy)	db6c555b-a950-42c3-9f23-6e6445dfece0
SCIP notification number (Netherlands)	0034f953-be89-447d-90b8-c65256283a91
SCIP notification number (Poland)	ec36d966-e568-4c51-95db-c52321a4b6e8
SCIP notification number (Romania)	22d59185-b167-416a-a67e-35e3df17fd51
SCIP notification number (Sweden)	3457d0bd-e73f-44e6-acc3-5cbc01e9767d

## Downloads

### Environmental Product Compliance

#### Compliance Search

Environmental Product  
Compliance  
756-1103/060-050



## Documentation

### System Description

I/O-SYSTEM – SPEED-  
WAY, General Product  
Information

pdf  
1035.20 KB



## CAD/CAE-Data

### CAE data

WSCAD Universe  
756-1103/060-050

