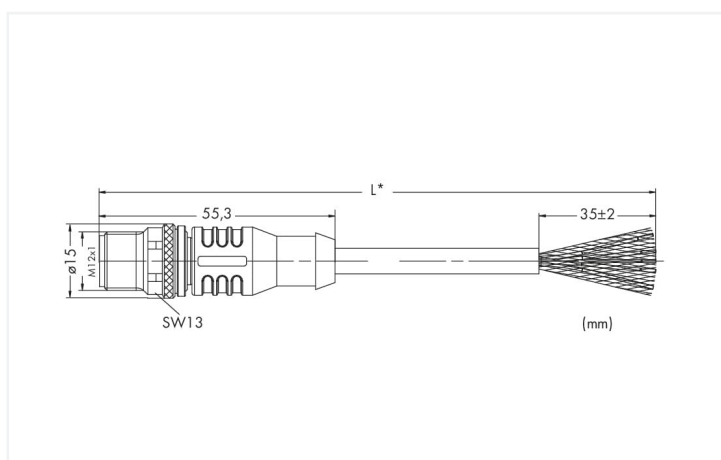
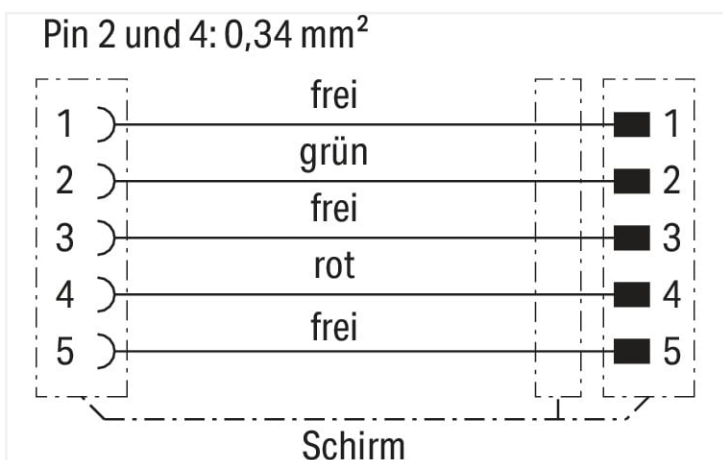


Color: ■ violet



Dimensions in mm

**Short description:**

- PUR, halogen-free
- Suitable for drag chains
- Silicon- and PVC-free
- High resistance to microbes, hydrolysis, oil, chemicals and UV radiation
- High chemical resistance

**Technical data**

Connection type	M12 plug - free end
Pole number	5
Cable connection direction to mating direction	0°
Connector interface coding (cable/adapter) 1 1	B-coded
Cable length	2 m
Communication/fieldbus	PROFIBUS
Operating voltage	≤ 300 V
Operating current	4 A
Rated surge voltage	2 kV
Insulation resistance	> 2500 MΩ/km
Conductor resistance	55 Ω/km (max.); Loop resistance: 110 Ω/km (max.)

### Mechanical data

Bending radius	> 10 x cable Ø (flexible use); > 5 x cable Ø in drag chain (fixed installation)
Bending cycles	1 million
Drag chain capability	Yes
Sheathed cable diameter	7.3 ... 7.9 mm
Type code	LI02YS-(ST)CB11Y 1X(2X0.34SQMM)
Shield	Shielding braid, (approx. 5.90 mm Ø), tinned CU-ETP1, coverage 85 % ± 5 %
Conductor configuration	Bare copper wire (19 x 0.15 mm)
Conductor insulation	PE (halogen-free); Filler: PP yarn
Housing material	TPU/TPU, black (~ RAL 9005)
Tightening torque	1 Nm
Weight	140 g
Color	violet

### Environmental requirements

Ambient (operating) temperature (dynamic)	-25 ... +60 °C
Ambient (operating) temperature (static)	-50 ... +80 °C
Protection type	IP67
Pollution degree	3/2 per IEC 60664-1
Fire load	0 MJ

### Commercial data

eCl@ss 10.0	27-06-18-01
eCl@ss 9.0	27-06-18-01
ETIM 8.0	EC002599
ETIM 7.0	EC003249
PU (SPU)	1 pcs
Packaging type	Box
Country of origin	DE
GTIN	4045454521592
Customs tariff number	85444290900
End of Sale	2024-05-01
End of Production	2024-05-15
End of Delivery	2024-06-01
End of Service and Repair	2025-06-01

### Environmental Product Compliance

CAS-No.	7439-92-1
REACH Candidate List Substance	Lead
RoHS Compliance Status	Compliant, No Exemption
SCIP notification number (Austria)	efebcd93-ec58-4880-b60e-18f3c2e9902b
SCIP notification number (Belgium)	7f6a72c3-2bc1-453d-b4f9-02446867f801
SCIP notification number (Bulgaria)	74f901c5-8ca3-4c54-9318-68c348fa5fd5
SCIP notification number (Czech Republic)	b71e69da-956a-484e-9966-b1896ff59a2c
SCIP notification number (Denmark)	b13627a9-7151-4d23-8f26-2ea7cbf3c459
SCIP notification number (Finland)	d98eef3f-bb2e-4534-89bf-d5286f304bff
SCIP notification number (France)	101c63a5-8396-4761-808b-b0b5a02fad43
SCIP notification number (Germany)	27fef3ee-fd64-47e6-aa64-1aab1cacb574
SCIP notification number (Hungary)	51adee6b-d888-427e-b2cc-336a68ba66fe
SCIP notification number (Italy)	5414bb96-7ae5-48e1-a4b6-9aaf180da805
SCIP notification number (Netherlands)	3d90cc29-9f7b-4cc0-aa87-3f53ae42ea01
SCIP notification number (Poland)	7e188668-4d31-41e6-abee-ba8a8e8fbcf1
SCIP notification number (Romania)	113548b1-3ad8-4137-8a59-eb2bd19a7724
SCIP notification number (Sweden)	b75130b8-d438-4a5b-ac81-4b3f267d45a9

## Downloads

### Environmental Product Compliance

#### Compliance Search

Environmental Product  
Compliance  
756-1103/060-020



## Documentation

### System Description

I/O-SYSTEM – SPEED-  
WAY, General Product  
Information

pdf  
1035.20 KB



## CAD/CAE-Data

### CAE data

WSCAD Universe  
756-1103/060-020

