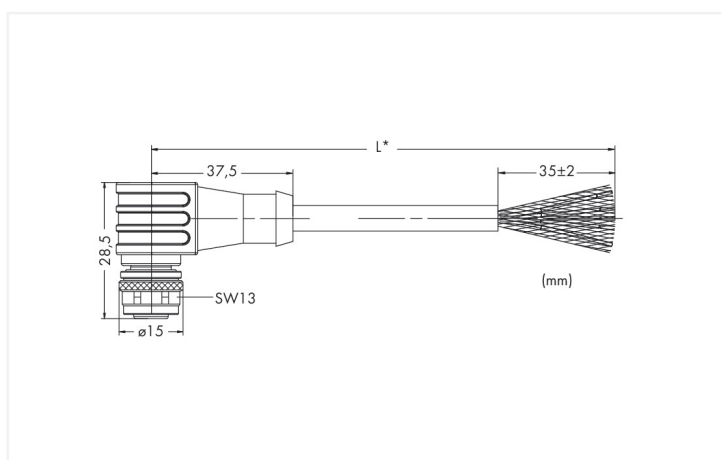
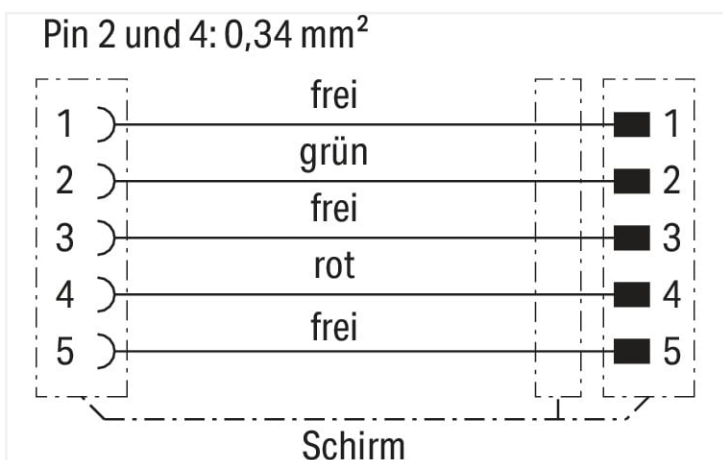


Color: ■ violet



Dimensions in mm

Short description:

- PUR, halogen-free
- Suitable for drag chains
- Silicon- and PVC-free
- High resistance to microbes, hydrolysis, oil, chemicals and UV radiation
- High chemical resistance

Technical data

Connection type	M12 Socket - free end
Pole number	5
Cable connection direction to mating direction	90°
Connector interface coding (cable/adapter) 1 1	B-coded
Cable length	20 m
Communication/fieldbus	PROFIBUS
Operating voltage	≤ 300 V
Operating current	4 A
Rated surge voltage	2 kV
Insulation resistance	> 2500 MΩ/km
Conductor resistance	55 Ω/km (max.); Loop resistance: 110 Ω/km (max.)

Mechanical data

Bending radius	> 10 x cable Ø (flexible use); > 5 x cable Ø in drag chain (fixed installation)
Bending cycles	1 million
Drag chain capability	Yes
Sheathed cable diameter	7.3 ... 7.9 mm
Type code	LI02YS-(ST)CB11Y 1X(2X0.34SQMM)
Shield	Shielding braid, (approx. 5.90 mm Ø), tinned CU-ETP1, coverage 85 % ± 5 %
Conductor configuration	Bare copper wire (19 x 0.15 mm)
Conductor insulation	PE (halogen-free); Filler: PP yarn
Housing material	TPU/TPU, black (~ RAL 9005)
Tightening torque	1 Nm
Weight	1400 g
Color	violet

Environmental requirements

Ambient (operating) temperature (dynamic)	-25 ... +60 °C
Ambient (operating) temperature (static)	-50 ... +80 °C
Protection type	IP67
Pollution degree	3/2 per IEC 60664-1
Fire load	0 MJ

Commercial data

eCl@ss 10.0	27-06-18-01
eCl@ss 9.0	27-06-18-01
ETIM 8.0	EC002599
ETIM 7.0	EC003249
PU (SPU)	1 pcs
Packaging type	Box
Country of origin	DE
GTIN	4045454521585
Customs tariff number	85444290900
End of Sale	2024-05-01
End of Production	2024-05-15
End of Delivery	2024-06-01
End of Service and Repair	2025-06-01

Environmental Product Compliance

CAS-No.	7439-92-1
REACH Candidate List Substance	Lead
RoHS Compliance Status	Compliant,With Exemption
RoHS Exemption	6(c)
SCIP notification number (Austria)	4a17a44e-fa0b-444b-97d4-11dc76f67cde
SCIP notification number (Belgium)	5358100e-77a8-4192-a8dc-3364f1c6a769
SCIP notification number (Bulgaria)	229d6699-d6b4-4b28-91ec-8180300fa61b
SCIP notification number (Czech Republic)	6f4e3b88-bd42-4f30-87d6-9a6124455157
SCIP notification number (Denmark)	b9f97619-323f-4fb6-a921-8c792e6742f8
SCIP notification number (Finland)	4bb4fc49-1645-4544-b34b-f754ffd61d2c
SCIP notification number (France)	8bc0f7c1-153d-4f12-929c-ab0209c6a82d
SCIP notification number (Germany)	71fd9351-e3a1-4978-bb7e-8107051071b9
SCIP notification number (Hungary)	1690b983-954e-48b8-b54e-c4f03ef8abb8
SCIP notification number (Italy)	4dfd18f9-2f69-4514-a7cb-650ba1f9a055
SCIP notification number (Netherlands)	4a071b65-5f65-49ec-ac2c-43cb68f67bf8
SCIP notification number (Poland)	b6b01e17-9fe2-465c-a46c-7a5dcff1d231
SCIP notification number (Romania)	c033582f-e42d-43da-b464-19443c188a3f

Environmental Product Compliance

SCIP notification number (Sweden)

e381a522-0647-49e1-9dcf-5c033ebeee58

Approvals / Certificates

General approvals



Approval	Standard	Certificate Name
UL Underwriters Laboratories Inc.	UL 2238	E519602

Downloads

Environmental Product Compliance

Compliance Search

Environmental Product Compliance 756-1102/060-200	↓
---	---

Documentation

System Description

I/O-SYSTEM – SPEED- WAY, General Product Information	pdf 1035.20 KB	↓
--	-------------------	---

CAD/CAE-Data

CAE data

WSCAD Universe 756-1102/060-200	↓
------------------------------------	---